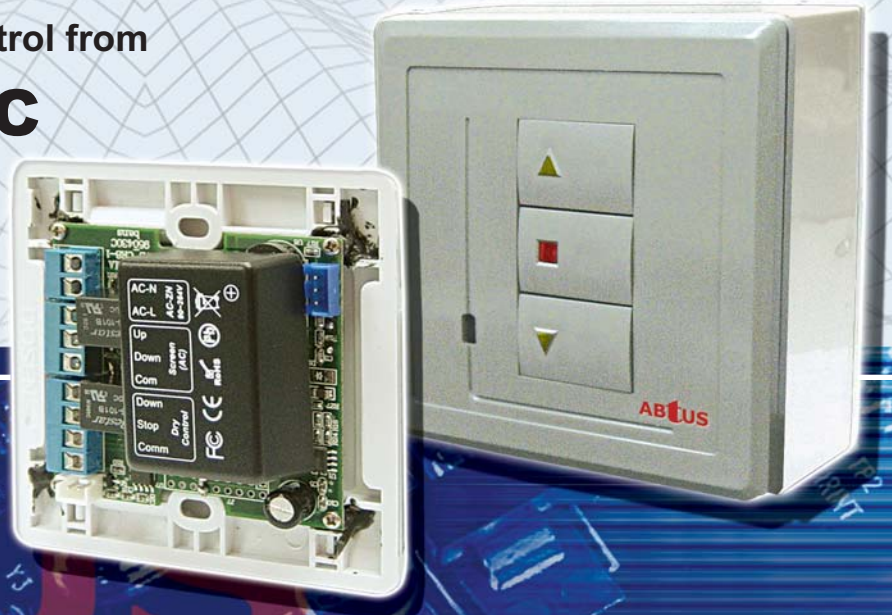


# Universal Projector and Motorized Screen Controller

Simple Integration with Power Control from

**100VAC to 230VAC**

**50Hz/60Hz**



*Multimedia Classroom*



*Meeting Room / Board Room*

AVS-SCR8 is a Universal IR Motorized Screen and Projector Controller. It can easily be integrated into a Home Theater, a Media Class Room, a Meeting Room and more. It is also able to integrate with any third party central control system (AMX, Crestron est.) Simple integration with power control from 100VAC to 230 VAC 50Hz/60Hz.

Integrated with IR/RS-232 projector control capability as one single controller. With the programmable preloaded software, setting is done by changing of dip switches. It is also integrated with a self-contained universal IR learning function which enable this switcher to be programmed to control any brand or model of projector.

## FEATURES

- Control: Manual switch, IR wireless Remote Control and Direct dry contact control with any third party central control system.
- Integrated with pre-program RS-232 controller command and IR learn function for easy of adaptability to projector of all brand and model.

# AVS-SCR8

AVS-SCR8 is a Universal IR Motorized Screen and Projector Controller. It can be easily be integrated into a Home Theater, a Media Class Room, a Meeting Room and more.



Dry Contact Control

## REQUIREMENT:

### Control Mode

The controller switcher can be controlled through:

- 1) Hard key control.
- 2) Dry contact control from a third party control system (e.g. AMX or Crestron System)
- 3) IR wireless Remote control unit \*optional.

### Output controller

The Switcher consist IR and RS-232 control model for projector control:

- 1xIR programmable control module.
- 1xRS-232 output model.
- RS-232: Programmable with variable Board Rate, Non/Odd or Even parity and one stop bit.

## OPERATION:

### When "Down" is pressed

- 1) Close "Down" contact to activate screen down.
- 2) Send out IR Code "Projector Power On" from IR output port.
- 3) Send out RS-232 Code "Projector Power On" from RS-232 output port.

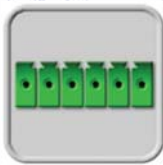
### When "Up" is pressed

- 1) Close "Up" contact to activate screen up.
- 2) Send out IR Code "Projector Power Off" from IR output port.
- 3) Send out RS-232 Code "Projector Power Off" from RS-232 output port.

### When "Stop" is pressed once

- 1) Reset all contact "Down" "Up" (\*selectable)
- 2) Send out IR and RS-232 code of the projector for input select.

## UNIVERSAL PROJECTOR AND MOTORIZED SCREEN CONTROLLER



Simple Integration with Power Control from **100VAC to 230VAC** **50Hz/60Hz**

### Typical Applications

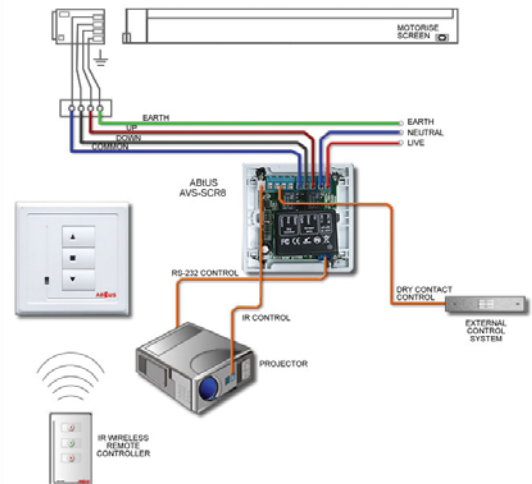
The AVS-SCR8 is part of the ABtUS series of high quality, cost effective switchers specially for professional installers. ABtUS products can be found in industrial, commercial, educational, military and government applications like:

- Schools
- Training rooms
- Multimedia Classroom
- Meeting/Boardroom
- Multipurpose Hall



## Technical Specifications

CONNECTION	Nature, Screen Up, Screen Down and Screen Stop
CONTROL	Manual hard button, IR wireless remote control or Dry contact Voltage free Switcher
POWER SOURCE	90VAC to 263 VAC, 50/60 Hz
CONTROL	Manual, IR wireless remote control or Dry contact Low Voltage Switch
CURRENT	Max. load 1.8 Amperes
ACCESSORIES	IR Remote Control Unit and 1x IR probe, Firm ware upload utility software
CONTROL OUTPUT PORT	IR and RS-232 (20 meter of max cable length)
RS232	Baud Rate: 9600, 19200 or 38400 Parity Bit: none, odd or even Data: 8 bits Stop: 1 bit



Distributed by:

## AV MEDIA PTE LTD

Blk 2023 #02-106 Bukit Batok Industrial Park A Street 23, Singapore 659528  
Tel: (65) 6-569 2123 Fax: (65) 6-569 6589  
E-mail: [enquiries@avmedia.com.sg](mailto:enquiries@avmedia.com.sg)  
[www.avmedia.com.sg](http://www.avmedia.com.sg)

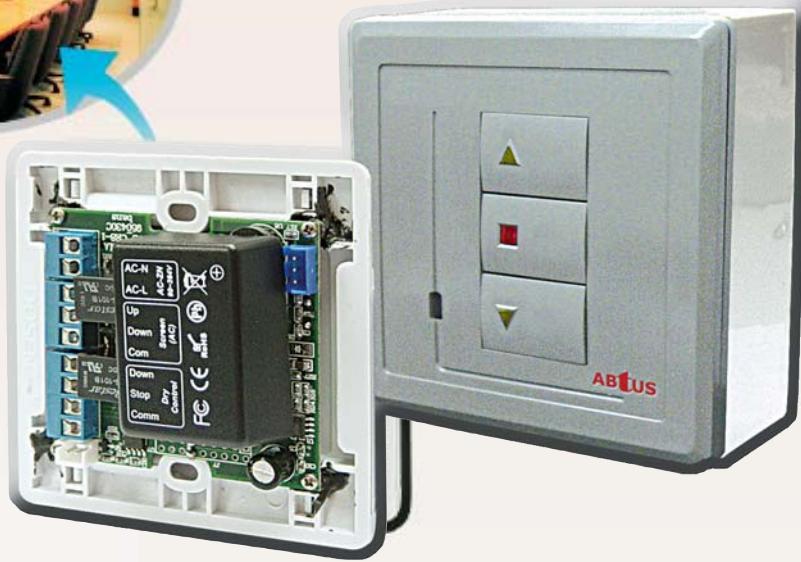
**NEW!**

www.abtussingapore.com

**ABtUS<sup>®</sup>**

# MAXIMISE YOUR PROFITS WITH ABtUS AVS-SCR8

## INTEGRATED PROJECTOR AND SCREEN CONTROLLER!



Remote Controller  
+  
IR Probe Included!



Simple Integration with Power Control from  
**100VAC to 230VAC 50Hz/60Hz**

Technical Specifications	
<b>CONNECTION</b>	Nature, Screen Up, Screen Down and Screen Stop
<b>CONTROL</b>	Manual hard button, IR wireless remote control or Dry contact Voltage free Switcher
<b>POWER SOURCE</b>	90VAC to 263 VAC, 50/60 Hz
<b>CONTROL</b>	Manual, IR wireless remote control or Dry contact Low Voltage Switch
<b>CURRENT</b>	Max. load 1.8 Amperes
<b>ACCESSORIES</b>	IR Remote Control Unit and 1x IR probe, Firm ware upload utility software
<b>CONTROL OUTPUT PORT</b>	IR and RS-232 (20 meter of max cable length)
<b>RS232</b>	Baud Rate: 9600, 19200 or 38400 Parity Bit: none, odd or even Data: 8 bits Stop: 1 bit

