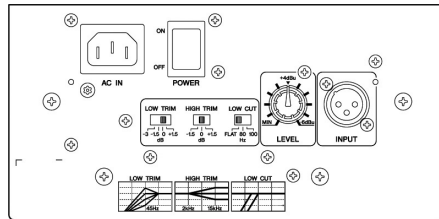


MSP STUDIO Series

MSP7 STUDIO



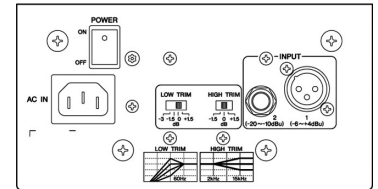
MSP7 STUDIO Rear Panel



MSP5 STUDIO



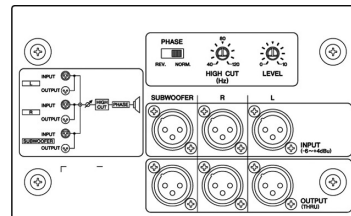
MSP5 STUDIO Rear Panel



SW10 STUDIO



SW10 STUDIO Rear Panel



Refined Monitoring Precision

Powered Monitor Speaker MSP7 STUDIO

- 2-way bass-reflex bi-amplified near field studio monitor 6.5" cone woofer and 1" titanium dome high-frequency unit delivers 45Hz- 40kHz frequency response.
- 130 watts (LF 80W + HF 50W) dynamic bi-amplified power.
- XLR balanced input.
- Advanced Magnetic Structure Design
- One-piece Molded Enclosure with Rounded Baffle
- 31 positions Level Control facilitates precise overall system level matching.
- Low Cut switch and TRIM Control (High/Low).
- Full magnetic shielding.

Powered Subwoofer SW10 STUDIO 10" bass-reflex powered subwoofer delivers solid 25Hz- 150Hz frequency response.

- 180 watts dynamic power.
- XLR balanced inputs (L/R/SUBWOOFER) .
- XLR balanced outputs(L/R/SUBWOOFER) parallel connection with input signals.
- Level control facilitates precise system level controls.
- 40-120 Hz, 80 Hz at Center Click LPF controls.
- Phase switch simplifies phase alignment.
- Full magnetic shielding.

Powered Monitor Speaker MSP5 STUDIO

- 2-way bas-reflex bi-amplified near field studio monitor 5" cone woofer and 1" titanium dome high-frequency unit delivers 50Hz- 40kHz frequency response.
- 67 watts (LF 40W + HF 27W) dynamic bi-amplified power.
- XLR balanced input and 1/4" unbalanced input.
- Advanced Magnetic Structure Design
- One-piece Molded Enclosure with Rounded Baffle
- 31 positions Level Control facilitates precise overall system level matching.
- TRIM Control(High/Low).
- Full magnetic shielding.

OPTIONS (MSP7 STUDIO)

BCS251
Ceiling Bracket

BBS251
Baton Bracket

BWS50-190/260/320
Wall Bracket

OPTIONS (MSP5 STUDIO)

BCS20-150/210
Ceiling Bracket

BWS20-120/190
Wall Bracket

MSP STUDIO Series

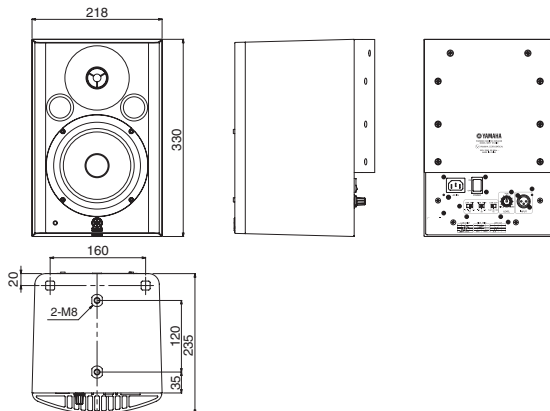
SPECIFICATIONS

MODEL		MSP7 STUDIO	MSP5 STUDIO	SW10 STUDIO
GENERAL	Type	Biamp 2-way Powered Speaker	Biamp 2-way Powered speaker	Powered subwoofer
	Crossover Frequency	2.5 kHz LF:30dB/oct, HF:30dB/oct	2.5 kHz LF:24dB/oct, HF:24dB/oct	-
	Overall Frequency Response	45Hz-40kHz (-10dB)	50Hz-40kHz (-10dB)	25Hz-150Hz (-10dB)
	Maximum Output Level	106dB, 1m on Axis	101dB, 1m on Axis	111dB, 1m on Axis
	Dimensions (W x H x D)	218 x 330 x 235mm (8.6" x 13.0" x 9.3")	179 x 279 x 208mm (7.0" x 11.0" x 8.2")	328 x 459 x 476mm (12.9" x 18.1" x 18.7")
	Weight	12.2kg (26.9lbs)	7.9kg (17.4lbs)	26.5kg (58.4lbs)
	Magnetic Shielding	Yes	Yes	Yes (None covered type)
Speaker Section	Components	LF 6.5" cone HF 1.0" Titanium dome	5" cone 1.0" Titanium dome	10" cone -
	Enclosure Type	Bass-Reflex	Bass-Reflex	Bass-Reflex
	Material	PP	PP	MDF
Amplifier Section	Output Power *	80W	40W	180W
	LF	THD = 0.05%, RL = 4	THD = 0.02%, RL = 4	f = 100Hz, THD = 1%, RL = 8
	HF	50W THD = 0.05%, RL = 6	27 W THD = 0.02%, RL = 6	-
	S/N, IHF-A filter	≥99dB, LEVEL = Max	≥94dB, LEVEL = Max	≥100dB, LEVEL = Max
	Input Sensitivity XLR 3-31	+4dBu, LEVEL = Center -6dBu, LEVEL = Max	+4dBu, LEVEL = Center -6dBu, LEVEL = Max	+4dBu, LEVEL = Center -6dBu, LEVEL = Max
	PHONE	-	10dBu, LEVEL = Cente -20dBu, LEVEL = Max	-
	Input Connectors, Impedance	XLR-3-31 (balanced), 10k	XLR-3-31 (balanced), 10k PHONE (unbalanced), 10k	XLR-3-31 x 3 (balanced), 10k
	Output Connectors	-	-	XLR-3-32 x 3 (balanced), Parallel connection with Input
	Controls	Level Control 31 Positions Detent type VR (Min = -∞ Attenuation)	31 Positions Detent type VR (Min = -∞ Attenuation)	Center Click VR (Min = -∞ Attenuation)
	LOW CUT Switch	FLAT/80Hz (12dB/oct)/100Hz (12dB/oct)	-	-
HIGH TRIM	+1.5/0/-1.5dB at 15kHz	+1.5/0/-1.5dB at 15kHz	-	
LOW TRIM	+1.5/0/-1.5/-3dB at 45Hz	+1.5/0/-1.5/-3dB at 60Hz	-	
POWER Switch	on/off	on/off	on/off	
PHASE Switch	-	-	Normal/ Reverse	
LPF control	-	-	40-120Hz, 80Hz at Center Click	
Indicators	LED Green: Power On Red: Clipping	Green: Power On Red: Clipping	Green: Power On Red: Clipping	
Power Consumption	100W	60W	160W	

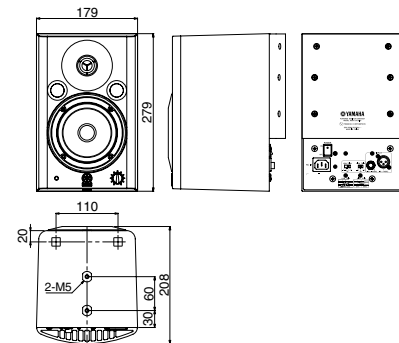
* These specifications apply to rated power supplies of 100, 120, 230 and 240 V.
* Specifications and appearance subject to change without notice.

DIMENSIONS

MSP7 STUDIO



MSP5 STUDIO



unit : mm

SW10 STUDIO

