

ABtUS[®]

AV480WT/W2T

UNIVERSAL PLASMA/LCD TILT WALL MOUNT



Suitable for 23" to 50" Plasma/LCD Display

- ▶ Ultra Sleek Design
- ▶ Easy Adjustment
- ▶ Light Weight Profile
- ▶ Quick & Easy Installation



AV480-W2T
(Suitable for 23" - 37")



AV480-WT
(Suitable for 37" - 50")



Lockable



Easily to Tilt



Behind your prized plasma display, you need a Great Support

Designed for all discerning owners of their prized flat plasmas and LCDs, ABtUS Universal Plasma/LCD Tru~Tilt Wall Mount AV480-W2T support any 23" – 37" and AV480-WT support any 37" – 50" flat panels. Its ultra sleek design provides the ultimate wall mounting solution that is very safe and discreet, keeping the panel 2.83" (72mm) away from the wall.

Safety is further enhance by its double locking device to deter theft, making it suitable even for a public and high traffic environment.

FEATURES:

- ▶ Available in silver or black colour
- ▶ Patent Pending ABtUS TRU~TILT™ Technology
- ▶ Universal Brackets will fit most 23" – 50" flat panels
- ▶ Comes with complete fastener pack
- ▶ Tilt adjustment of +15/-15 degrees without any tools
- ▶ Easy-to-install Bracket hooks for quick installation

UNIVERSAL PLASMA/LCD TILT WALL MOUNT

- ▶ Ultra Sleek Design
- ▶ Light Weight Profile

- ▶ Easy Adjustment
- ▶ Quick & Easy Installation

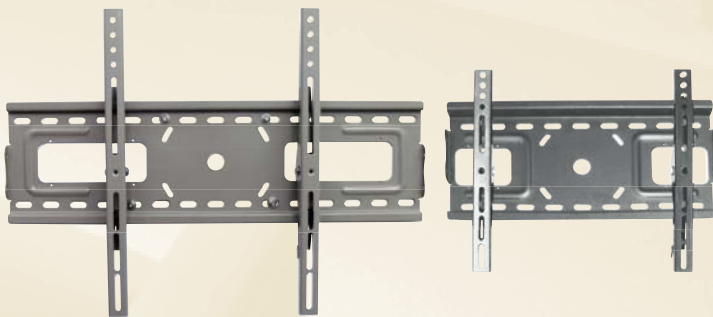
AV480WT/W2T

SPECIFICATIONS

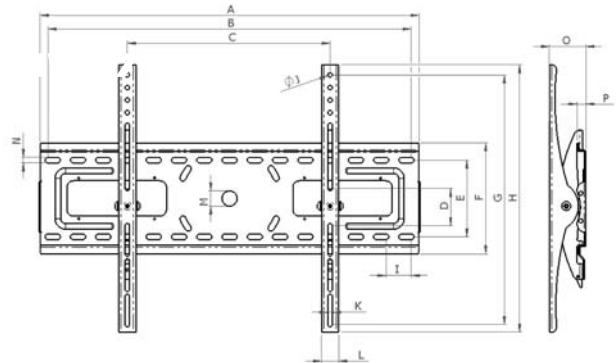
	AV480-WT	AV480-W2T
Plasma size	Suitable for 37" - 50"	Suitable for 23" - 37"
Wall Plate dimension	750mm x 220mm	470mm x 220mm
Length of hook	530mm (20.87")	360mm (14.2")
Distance from Wall	72mm (2.83")	60.3mm (2.4")
Load Capacity	68kg (150 lbs)	45kg (100 lbs)
Colour Option	Black or Grey	Black or Grey

ABtUS TRU-TILT™

>>> Easily to Tilt and Adjustment with +15/-15 degrees <<<



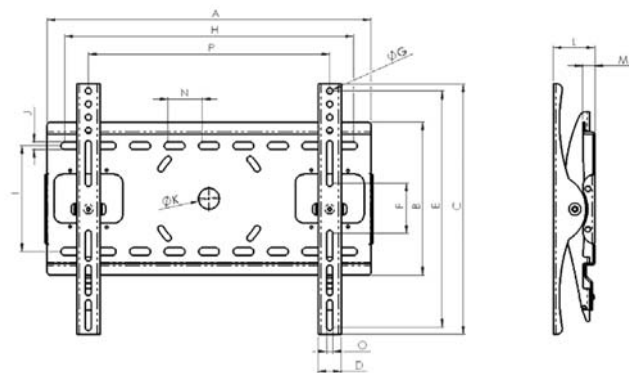
AV480 WT



TECHNICAL SPECIFICATIONS:

	mm	inch	mm	inch	
A	750	29.53	I	50	1.97
B	719	28.31	J	9	0.35
C	100 - 715	3.94 - 28.15	K	9	0.35
D	74	2.91	L	34	1.34
E	152	5.98	M	30	1.18
F	220	8.66	N	11	0.43
G	495	19.49	O	72	2.83
H	530	20.87	P	17.5	0.69

AV480 W2T



TECHNICAL SPECIFICATIONS:

	mm	inch	mm	inch	
A	470	18.5	I	152	6
B	220	8.7	J	11	0.4
C	360	14.2	K	30	1.2
D	34	1.3	L	60.3	2.4
E	340	13.4	M	17.5	0.7
F	72	2.8	N	50	2
G	9	0.3	O	9	0.3
H	419	16.5	P	75 - 430	3 - 17

Distributed by:

ABtUS®