

The D60EQ is an integrated power amplifier, distribution autoformer, and 9-band graphic equalizer, ideally suited for paging/background music systems, as well as for zone systems in church, theater, restaurant and hotel applications. The D60EQ is easy to install, and is covered by a five-year warranty.

FEATURES

- integrated equalizer, amplifier, and distribution autoformer
- electronically balanced differential line level input stage
- 9-band graphic equalizer ($\pm 15\text{dB}$ on ISO center frequencies)
- 60W of power into 4 Ω , 8 Ω , or distributed speaker systems
- HPF (18dB/octave @ 180Hz) selectable with internal jumper
- passively cooled amplifier eliminates fan noise/maintenance
- complete short-circuit & thermal protection with auto-reset
- turn-on muting to provide noiseless power switching
- front panel indicators for power, signal present, and peak
- input/output connections provided on barrier strip terminals
- table-top design with rack-mounting kit included
- **RoHS** compliant with EU Directive 2002/95/EC
- covered by Biamp Systems' five-year warranty

ARCHITECTS & ENGINEERS SPECIFICATION

The power amplifier/equalizer shall have one channel and shall include a distribution autoformer and a 9-band graphic equalizer. It shall provide a reliable minimum power output of 60 Watts into 4 or 8 Ohm loads, or into distributed speaker systems. The amplifier shall have complete short-circuit protection. It shall have thermal protection with automatic reset. An 18dB/octave 180Hz high-pass filter shall be selectable via internal jumper strap. The graphic equalizer shall have 9 bands, centered on ISO standard frequencies, with 30mm slide controls providing 15dB of cut or boost. All input and output connectors shall be barrier strip terminals. The amplifier shall have a master rotary level control and LED indicators for power, signal present, and peak. The amplifier/equalizer shall be in a table-top enclosure and a rack mounting kit shall be included.

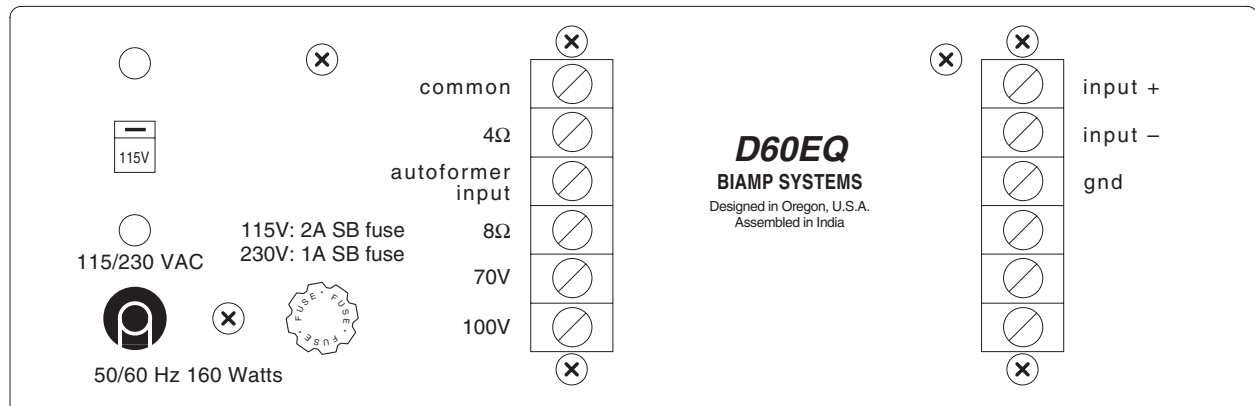
Frequency Response shall be $+0/-1\text{dB}$ from 20Hz to 20kHz at 60 Watts. THD + Noise shall be less than 0.2% from 20Hz to 20kHz at 60 Watts. Signal-to-Noise shall be greater than 96dB from 20Hz to 20kHz with 150 Ohm input termination. Power consumption shall be less than 160 Watts. Dimensions shall be 3.5 inches (2 rack spaces) high, 10.2 inches wide, and 11.4 inches deep. Weight shall be 15 lbs. The amplifier/equalizer shall be compliant with EU Directive 2002/95/EC, the RoHS directive. The amplifier/equalizer shall carry a five-year warranty.

The amplifier/equalizer shall be a BIAMP D60EQ.

D60EQ SPECIFICATIONS

AMPLIFIER SECTION		INTERNAL AUTOFORMER	
Output Power (2kHz @ 0.2% THD):	> 60 watts	Frequency Response (150Hz~20kHz @ 60W/70V output):	+0/-3dB
Frequency Response (20Hz~20kHz @ 60W):	+0/-1.5dB	THD + Noise (2kHz @ 60W/70V output):	< 0.2%
THD + Noise (20Hz~20kHz @ 60W):	< 0.2%		
Intermodulation Distortion (SMPTE):	< 0.35%	Power Consumption (115/230VAC 50/60Hz):	160 watts max.
Signal-to-Noise Ratio (20Hz~20kHz @ 60W):	> 89dB	Dimensions:	
Input Sensitivity:	0.775V	height (2 rack spaces)	3.5 inches (89mm)
Input Impedance:		width (without rack-ears)	10.2 inches (259mm)
balanced	20k ohms	depth	11.4 inches (290mm)
unbalanced	10k ohms	Weight:	15 lbs. (6.81kg)
		Compliance:	EU Directive 2002/95/EC, RoHS directive

D60EQ REAR PANEL DIAGRAM



D60EQ BLOCK DIAGRAM

