



# LBC 340x/16 Horn Loudspeakers



- ▶ **Excellent acoustic properties**
- ▶ **Choice of driver units**
- ▶ **Water and dust protected to IP 65**
- ▶ **Versatile mounting bracket**
- ▶ **UV light resistant**
- ▶ **Self-extinguishing to UL 94 V0**
- ▶ **Provision for inside mounting of the optional line/loudspeaker supervision board**

The Bosch professional horn loudspeaker system allows a range of different driver units to be installed into the various horns. The system includes four horns, three circular types with aperture diameters of 255, 380 and 510 mm and a rectangular model with an opening measuring 390 x 235 mm.

## Functions

The drivers (ordered separately) are mounted inside the horn, and the connection cable is fed out through a cable gland in the cover plate. This makes the loudspeaker horn/driver unit splash-waterproof, and therefore ideal for outdoor sound reinforcement applications. Three driver units are available, a 15 W, 30 W and a 50 W type for 100 V lines only. See separate datasheet.

In the construction of the horns, maximum use has been made of standard parts in a modular concept. The screw thread for securing the driver units is a standard 1 3/8-inch thread (1 3/8" - 18 UNEF-2A). The shape of the cover plate gives the horns a distinctive and easily recognizable style.

The cover plates have provision on their inside face for mounting the optional line/loudspeaker supervision board (and for mounting the EVAC Connection Adapter).

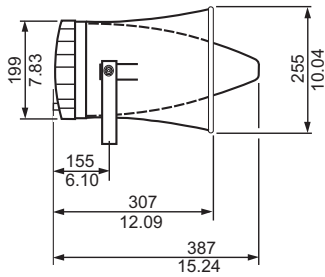
There is also an extra knock-out hole to enable loop-through cabling (if loop-through is used, an extra optional cable gland PG 13.5 must be fitted).

They are made from flame-retardant, high-impact plastic combining strength with low weight. This rugged material is resistant to ultraviolet light, aggressive environments and most industrial chemicals. The horns (incl. brackets) are finished in light grey. The sturdy steel mounting bracket (ST 37-2 DIN 1652) allows easy mounting and directing of the horn.

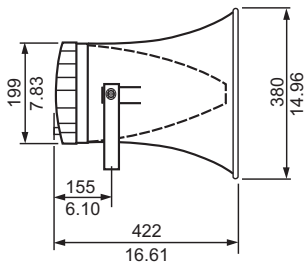
## Certifications and Approvals

Water and dust protected	acc. to IEC 60529, IP 65 (all models)
Self-extinguishing	acc. to UL 94 V0

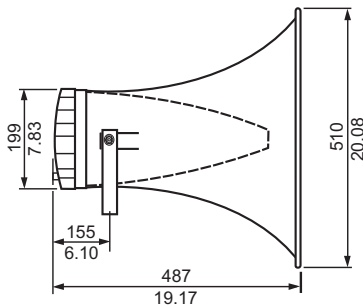
**Installation/Configuration Notes**



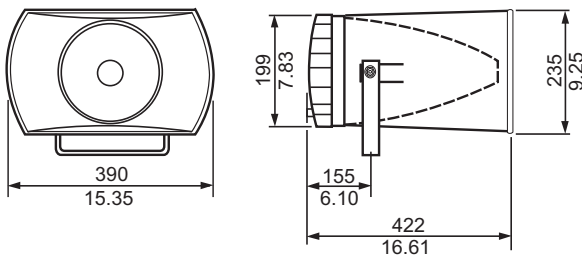
LBC 3403/16 Dimensions in mm (in)



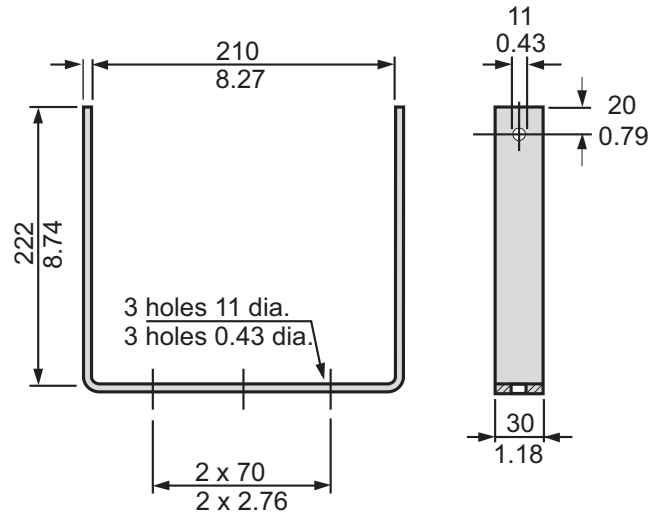
LBC 3404/16 Dimensions in mm (in)



LBC 3405/16 Dimensions in mm (in)



LBC 3406/16 Dimensions in mm (in)



All models mounting bracket dimensions in mm (in)

**Ordering Information**

<b>LBC 3403/16 Horn, Circular, 10" without Driver</b> diameter = 255 mm (10.04 in)	<b>LBC3403/16</b>
<b>LBC 3404/16 Horn, Circular, 15" without Driver</b> diameter = 380 mm (14.96 in)	<b>LBC3404/16</b>
<b>LBC 3405/16 Horn, Circular, 20" without Driver</b> diameter = 510 mm (20.08 in)	<b>LBC3405/16</b>
<b>LBC 3406/16 Horn, Rectangular, 9 x 15" without Driver</b> diameter = 235 x 390 mm (9.25 x 15.35 in)	<b>LBC3406/16</b>
<b>Accessories</b>	
<b>LBC 1256/00 EVAC Connection Adapter</b> 3-pole screw connector, 100 pieces	<b>LBC1256/00</b>
<b>LBN 9000/00 Driver Unit, 15 W</b> 100 V, 22.5 / 15 W max / rated power (PHC)	<b>LBN9000/00</b>
<b>LBN 9001/00 Driver Unit, 30 W</b> 100 V, 45 / 30 W max / rated power (PHC)	<b>LBN9001/00</b>
<b>LBN 9003/00 Driver Unit, 50 W</b> 100 V, 75 / 50 W max / rated power (PHC)	<b>LBN9003/00</b>

## LBC 340x/16 Horn Loudspeakers



LBC3403/16



LBC3404/16



LBC3405/16



LBC3406/16

<b>Electrical</b>				
<b>Sound pressure level at rated power/1 W (1 kHz, 1 m) with driver:</b>				
<b>LBN 9000/00</b>	121 / 109 dB (SPL)	124 / 112 dB (SPL)	125 / 113 dB (SPL)	122 / 110 dB (SPL)
<b>LBN 9001/00</b>	125 / 110 dB (SPL)	128 / 113 dB (SPL)	129 / 114 dB (SPL)	127 / 112 dB (SPL)
<b>LBN 9003/00</b>	127 / 110 dB (SPL)	130 / 113 dB (SPL)	132 / 115 dB (SPL)	129 / 112 dB (SPL)
<b>Eff. frequency range (-10 dB) with driver:</b>				
<b>LBN 9000/00</b>	400 Hz to 7 kHz	400 Hz to 9 kHz	400 Hz to 9 kHz	350 Hz to 6.5 kHz
<b>LBN 9001/00</b>	350 Hz to 6 kHz	300 Hz to 8.5 kHz	300 Hz to 8 kHz	300 Hz to 8 kHz
<b>LBN 9003/00</b>	380 Hz to 10 kHz	350 Hz to 10 kHz	350 Hz to 9 kHz	380 Hz to 10 kHz
<b>Opening angle at 1 kHz/4 kHz (-6 dB)</b>	90° / 30°	70° / 25°	60° / 35°	100° / 35° horizontal 65° / 30° vertical
<b>Mechanical</b>				
<b>Dimensions (L x D)</b>	387 x 255 mm (15.25 x 10.47 in)	422 x 380 mm (16.63 x 14.97 in)	487 x 510 mm (19.19 x 20.09 in)	422 x (390 x 235) mm (16.63 x (15.37 x 9.26) in)
<b>Weight (without driver)</b>	2.94 kg (6.48 lb)	3.34 kg (7.36 lb)	3.54 kg (7.80 lb)	3.14 kg (6.92 lb)
<b>Color</b>	light grey (RAL 7035)	light grey (RAL 7035)	light grey (RAL 7035)	light grey (RAL 7035)
<b>Cable diameter</b>	6 to 10.5 mm (0.24 to 0.41 in)	6 to 10.5 mm (0.24 to 0.41 in)	6 to 10.5 mm (0.24 to 0.41 in)	6 to 10.5 mm (0.24 to 0.41 in)
<b>Environmental</b>				
<b>Operating temperature</b>	-25° to +55°C (-13° to 131°F)	-25° to +55°C (-13° to 131°F)	-25° to +55°C (-13° to 131°F)	-25° to +55°C (-13° to 131°F)
<b>Storage temperature</b>	-40 to +70 °C (-40 to +158 °F)	-40 to +70 °C (-40 to +158 °F)	-40 to +70 °C (-40 to +158 °F)	-40 to +70 °C (-40 to +158 °F)
<b>Relative humidity</b>	<95%	<95%	<95%	<95%

**Americas:**

Bosch Communications Systems  
12000 Portland Avenue South  
Burnsville, Minnesota, 55337, USA  
Phone: +1-800-392-3497  
Fax: +1-800-955-6831  
audiosupport@us.bosch.com  
www.boschcommunications.us

**Europe, Middle East, Africa:**

Bosch Security Systems B.V.  
P.O. Box 80002  
5600 JB Eindhoven, The Netherlands  
Phone: + 31 40 2577 284  
Fax: +31 40 2577 330  
emea.securitysystems@bosch.com  
www.boschsecurity.com

**Asia-Pacific:**

Bosch Security Systems Pte Ltd  
38C Jalan Pemimpin  
Singapore 577180  
Phone: +65 6319 3450  
Fax: +65 6319 3499  
apr.securitysystems@bosch.com  
www.boschsecurity.com

**Represented by**