



www.cnbtec.com

Digital Security Systems **CNB**



P R O D U C T S I N F O R M A T I O N



CNB
TECHNOLOGY Inc.

XPEED SPEED DOME INDOOR/OUTDOOR SERIES p4



Zoom Camera p9



Box Camera p14



Vandal-Resistant Dome Camera p21



General Dome Camera p34



Specialty Dome Camera p41



Veri-focal /Fixed IR Dome Camera p42



Weatherproof IR Camera Series p43



UTP Camera Series p47

Specialty Camera p48



Board Camera p50



Progressive Scan Zoom Camera p51



IP Network Camera p52



Stand-Alone DVR System p54



PC Based DVR System p56



Vari-focal / Fixed Lens p60



Dome / Weatherproof Camera Brackets p61



Universal Camera Brackets p62



Controller / Dummy Camera p63



XPEED INDOOR SERIES



Indoor Series Model Line-up

- S1565NX/S1565PX : 30x Optical Zoom, 10x Digital Zoom, SONY EXview CCD
- S1465NX/S1465PX : 26x Optical Zoom, 12x Digital Zoom, SONY EXview CCD
- S1665NX/S1665PX : 18x Optical Zoom, 12x Digital Zoom, SONY EXview CCD
- S1565N/S1565P : 30x Optical Zoom, 10x Digital Zoom, SONY HAD CCD
- S1265N/S1265P : 22x Optical Zoom, 10x Digital Zoom, SONY HAD CCD



XPEED OUTDOOR SERIES



Outdoor Series Model Line-up (Wall Mount)

- S2565NXW/S2565PXW : 30x Optical Zoom, 10x Digital Zoom, SONY EXview CCD
- S2465NXW/S2465PXW : 26x Optical Zoom, 12x Digital Zoom, SONY EXview CCD
- S2665NXW/S2665PXW : 18x Optical Zoom, 12x Digital Zoom, SONY EXview CCD
- S2565NW/S2565PW : 30x Optical Zoom, 10x Digital Zoom, SONY HAD CCD
- S2265NW/S2265PW : 22x Optical Zoom, 10x Digital Zoom, SONY HAD CCD

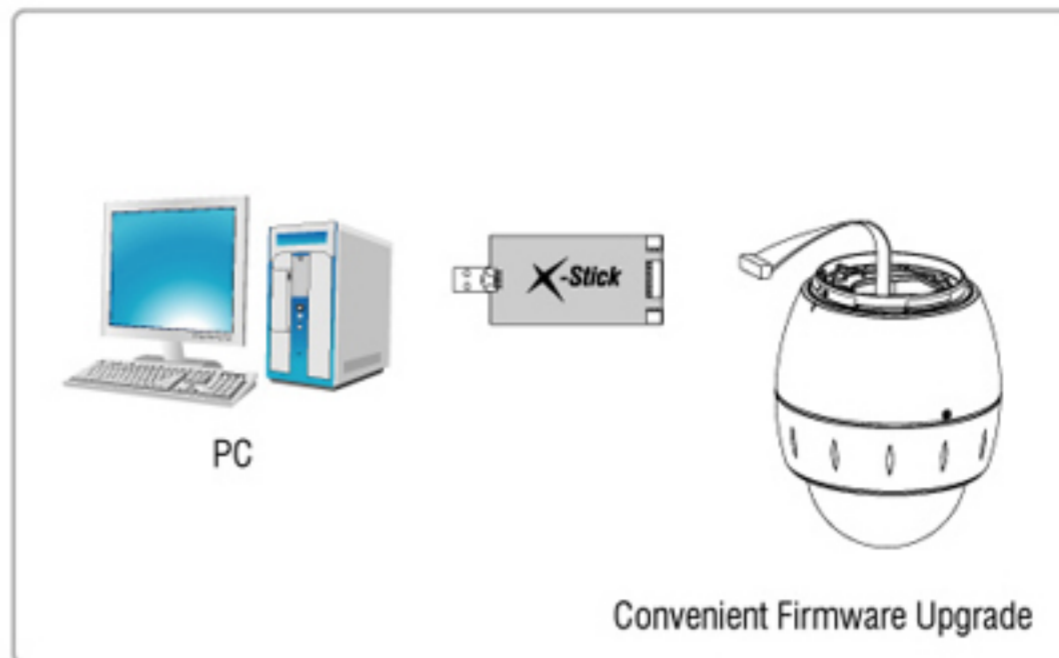
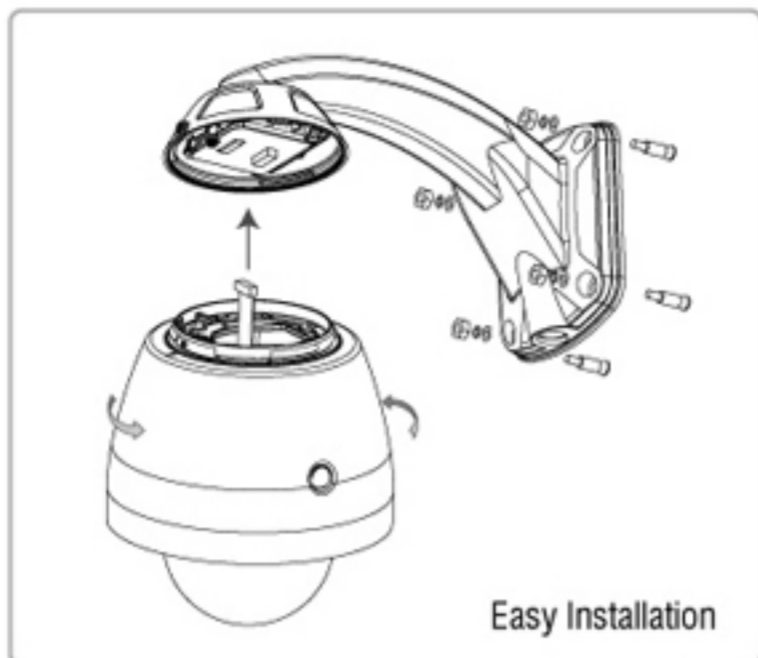
Outdoor Series Model Line-up (Pendant Mount)

- S2565NXP/S2565PXP : 30x Optical Zoom, 10x Digital Zoom, SONY EXview CCD
- S2465NXP/S2465PXP : 26x Optical Zoom, 12x Digital Zoom, SONY EXview CCD
- S2565NP/S2565PP : 30x Optical Zoom, 10x Digital Zoom, SONY HAD CCD
- S2265NP/S2265PP : 22x Optical Zoom, 10x Digital Zoom, SONY HAD CCD



with Sun-Sheild(Optional)

■ Easy Installation & Convenient Firmware Upgrade!!



1. This superior zoom feature allows subjects to display clear, fast images with the 30x A/F zoom lens and 10x digital zoom to offer up to Max 300x zoom.



2. The camera produces 480 high resolution of true color in daylight. ICR filter by AGC type also provide clear black and white images at nighttime of low illumination at 0.0005 lux (Night mode, DSS Max).



3. User-friendly design and mechanism makes installing cameras easy and simple. In addition, utilizing X-stick(update stick) through terminal during installation for default user setting and firmware upgrade possible.

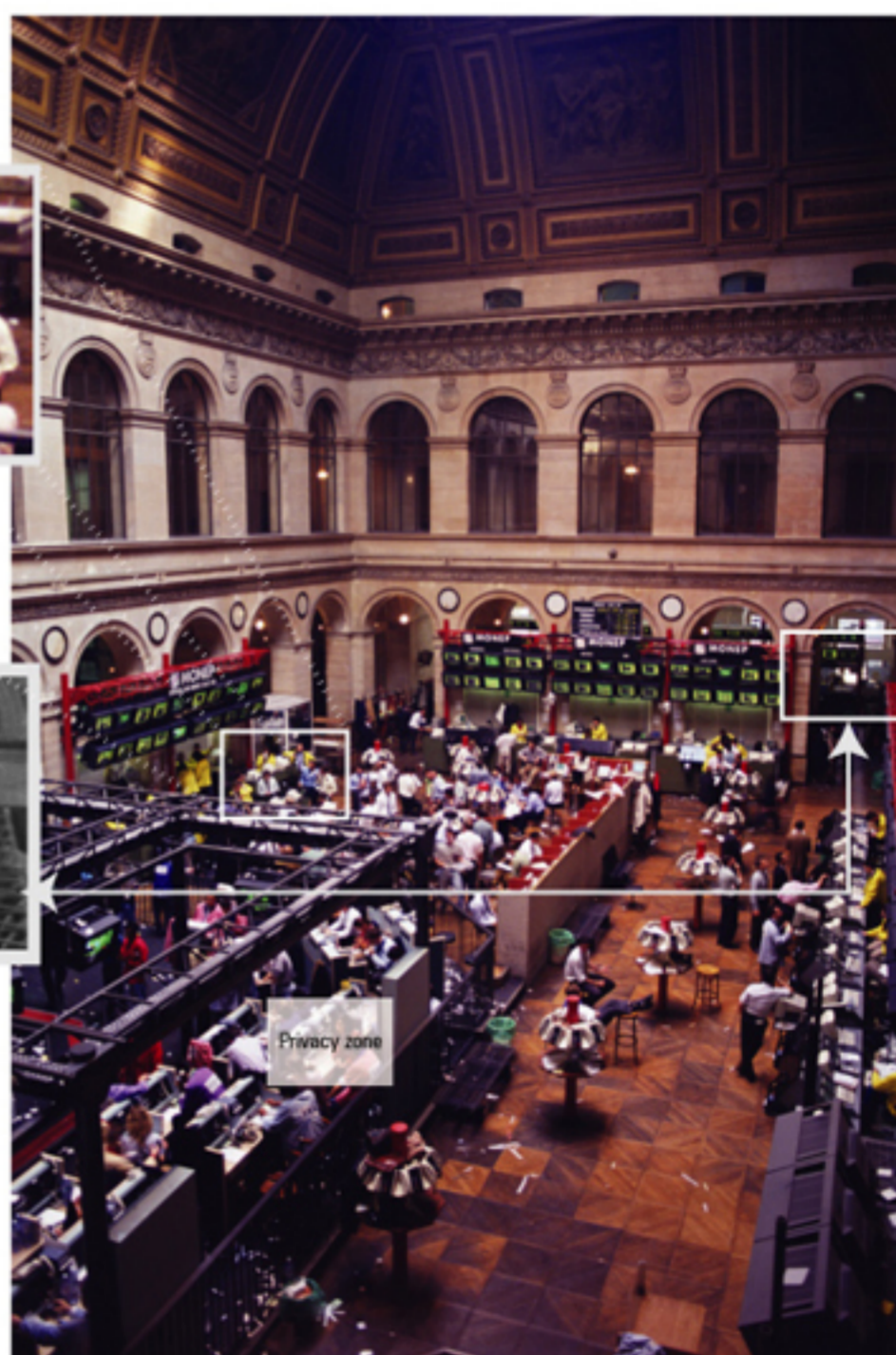
4. Besides Auto-focus and Manual focus, Semi-Auto focus allows to set suitable focus for PTZ camera and conduct detailed configuration at the video section using OSD menu.

5. OSD Menu offers diversity in functions. It displays camera ID, Pan/Tilt spot, direction details, Alarm I/O, and preset details.

6. When operating presets, high speed of Max 360/sec is available. Vector Drive Technology allows fast and natural images under preset operation. When operating Jog, 0.05.sec ultra low speed drive makes more sophisticated movements to desired presets. What is more, it is easy to move its focus to desired presets through jog driving speed linked with zoom ratio.

7. Privacy mask protects one's privacy to veil images where needed.

8. 128 presets and video configuration can be set individually and independently from one another. What's more, label and digital output can be selected on each preset. Swing function allows continuous alternation between two presets (8 swing). Pattern function is available to save jog operation and for a repeat performance at a set time. Group function allows to conduct 20 operations in combined order of preset, pattern and swings.



SPEED DOME INDOOR/OUTDOOR SERIES



Speed Dome Camera

Model	XPEED Indoor/Outdoor Series (22x, 30x, 18x EXview, 26x EXview, 30x EXview Models)
Signal System	NTSC / PAL
Scanning System	2:1 Interlace
Scanning Frequency(H)	NTSC: 15.734kHz / PAL:15.625kHz
Scanning Frequency(V)	NTSC: 59.94Hz / PAL:50Hz
Sync. System	Internal/Line-Lock
Image Pick-up Device	18x, 26x, 30x EXview Models: 1/4" SONY EXview HAD Interline transfer CCD 22x, 30x Models: 1/4" SONY Super HAD Interline transfer CCD
Min. Illumination	22x Models(F1.6, 30IRE): 1Lux(Day Mode), 0.001Lux(Night mode) 30x Models(F1.6, 30IRE): 1Lux(Day Mode), 0.5Lux(Night mode), 0.001Lux(Night mode, DSS 128FLD) 30x EXview Models(F1.6, 30IRE): 0.5Lux(Day Mode), 0.3Lux(Night mode), 0.0005Lux(Night mode, DSS 128FLD) 18x EXview Models(F1.4, 50IRE): 0.7Lux(Color), 0.1Lux(Color, DSS 16FLD), 0.01Lux(B/W, DSS 16FLD) 26x EXview Models(F1.6, 50IRE): 1.0Lux(Color), 0.07Lux(Color, DSS 16FLD), 0.15Lux(B/W), 0.01Lux(B/W, DSS 16FLD)
Day & Night Type	22x Models: Electronic Sensitivity-up (DSS) / 30x (EXview), 18x, 26x EXview Models: DSS, TDN(ICR)
Video Output	1.0Vp-p (75Ω, composite)
S/N Ratio	22x, 30x (EXview) Models: More than 48dB / 18x, 26x EXview Models: More than 50dB
Communication	RS-485
Camera ID	256 IDs
Protocol	Pelco-D, Pelco-P selectable
Lens	
Zoom Ratio	22x Models: 220x zoom (22x optical zoom, 10x digital zoom) / 30x (EXview) Models: 300x zoom (30x optical zoom, 10x digital zoom) 18x EXview Models: 216x zoom (18x optical zoom, 12x digital zoom) / 26x EXview Models: 312x zoom (26x optical zoom, 12x digital zoom)
Focal Length / Aperture / Angle of View (H)	22x Models: f=3.9(W)-85.8(T)mm / F1.6(W)-5.5(T) / 30x (EXview) Models: f=3.3(W)-99.0(T)mm / F1.6(W)-3.2(T) / 58.0°(W)-2.22°(T) 18x EXview Models: f=4.1(W)-73.8(T)mm / F1.4(W)-3.0(T) / 48.0°(W)-2.8°(T) / 26x EXview Models: f=3.5(W)-91.0(T)mm / F1.6(W)-3.8(T) / 54.2°(W)-2.2°(T)
Pan and Tilt	
Panning/Tilting Range	Pan: 360° endless rotation / Tilt: 90°
Panning/Tilting Speed	Manual: 1° ~ 360°/sec; Preset: 360°/sec; Swing: 1°~180°/sec
Preset	128 positions with labels (preset 95 is reserved to start the OSD menu)
Swing	8 swings
Pattern	4 patterns (about 5min/pattern)
Group	8 groups (max. 20 action entities/pattern)
Main Functions	
OSD Menu	ON/OFF
Language Setting	English
Focus Control	Auto/Manual/Semi-Auto
Color/BW Switching	Supplied
Day/Night	Auto mode / Day mode / Night mode
Electronic Sensitivity Up (DSS)	22x, 30x (EXview) Models: Max. 128FLD / 18x, 26x EXview Models: Max. 64FLD
Iris Control / Gain Control	Auto/Manual
Brightness Control	Adjustable(0-96)
White Balance	Auto/Manual(Red, Blue Gain Adjustable)
BLC / Flickerless	ON/OFF
Negative Mode	ON/OFF
Freeze / Mirror	ON/OFF
Reverse	ON/OFF (180° rotation)
Power-up Action	Resume the last action executed (Preset, Swing, Group)
Auto Flip	ON/OFF (rotates dome 180° at bottom of tilt travel)
Auto Parking	ON/OFF
Privacy Zone	ON/OFF (8 zone settings) - 18x, 26x EXview Models Only
Alarm I/O	4 port coupler inputs, 2 relay outputs
Image Setup	Global/Local (setting WB & AE)
Electrical & General	
Input Voltage / Input Power	24VAC (19VAC~29VAC) / 24VA
Fuse	2A
Operating Temperature	0°C ~40°C
Dimensions (approx.)	Indoor Series: [Dome] Ø149, [Housing] Ø163.6 x 230.9(H)mm (without decorative bottom ring) Outdoor Series: [Dome] Ø149, [Housing] Ø209.7 x 247.2(H)mm (without Sun-shield)
Weight (net)	Indoor Series: [Main Body] Approx. 2.5kg Outdoor Series: [Main Body] Approx. 4.3kg(with Sun-shield), [Wall Mount] Approx. 1.9kg, [Pendant Mount] Approx. 1.2kg
Material	Aluminum
Color	Indoor Series: Silver, Outdoor Series: White

OPTIONAL ACCESSORIES

Indoor Applications

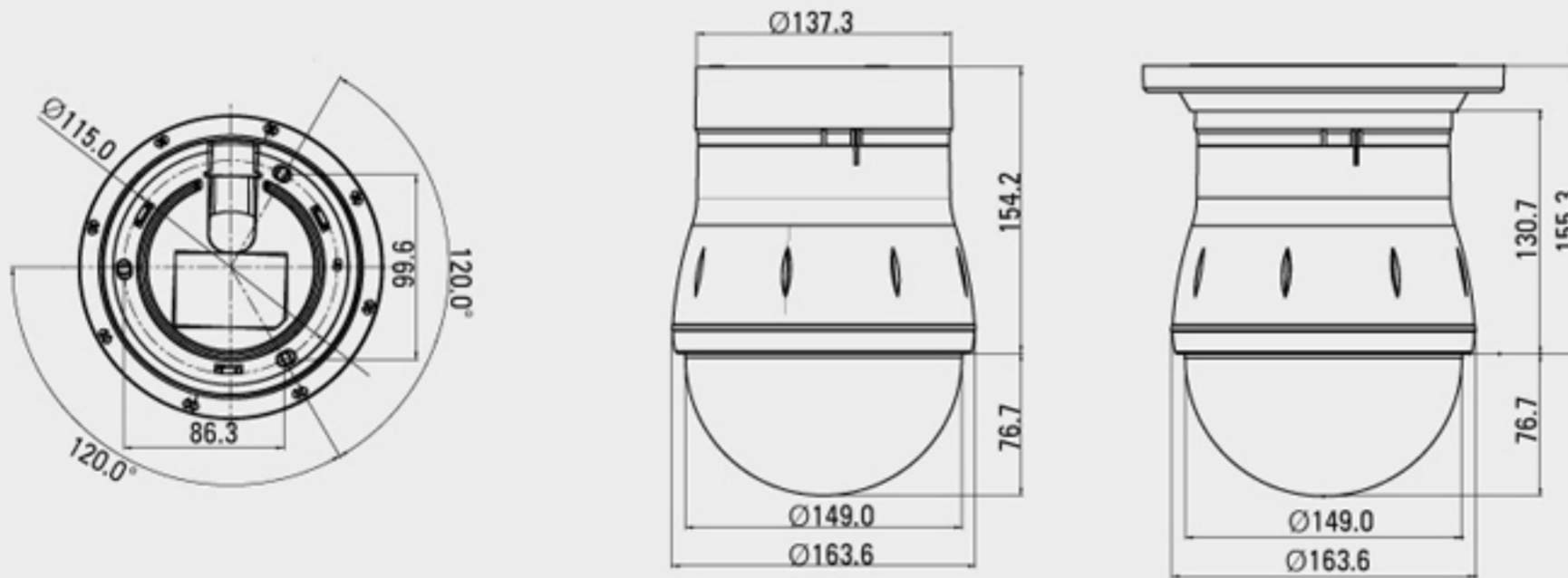


Outdoor Applications



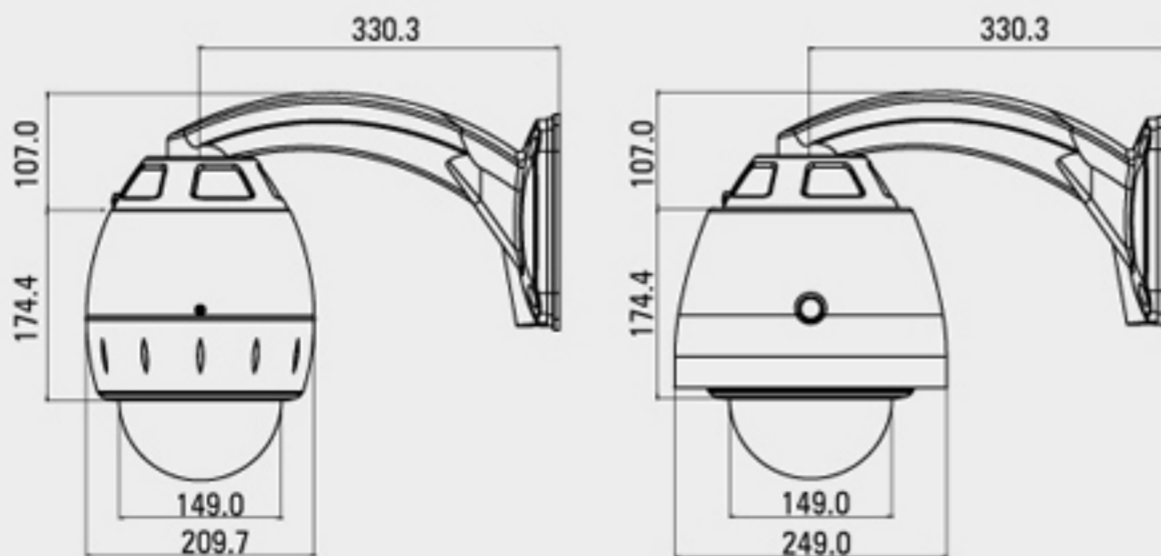
DIMENSIONS

Indoor Series

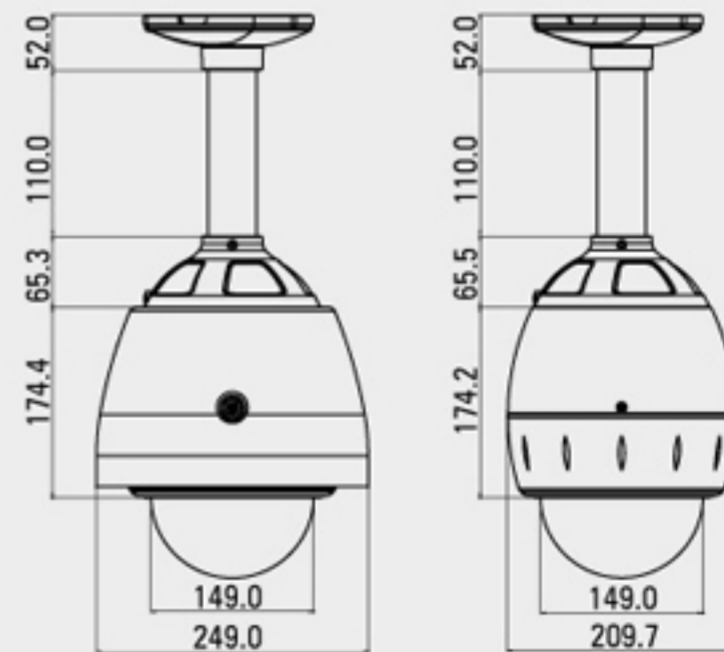


Outdoor Series

Wall Mount



Pendant Mount



Unit (mm)

SM1065N/SM1065P



FEATURES

- 100x Zoom(10x Optical / 10x Digital)
- User Friendly Installation
- An angle of direction display
- 128 preset positions (1 Reserved for setup menu)
- Pan/tilt maximum rotating speed is 360°/sec
- Electronic sensitivity-up (DSS)
- True Day & Night (ICR)
- Auto focus, Auto parking functions
- Auto-Flip function
- Privacy masking function
- 24VAC

OPTIONAL MODEL

- SM1063N/SM1063P : 12VDC

OPTIONAL ACCESSORIES

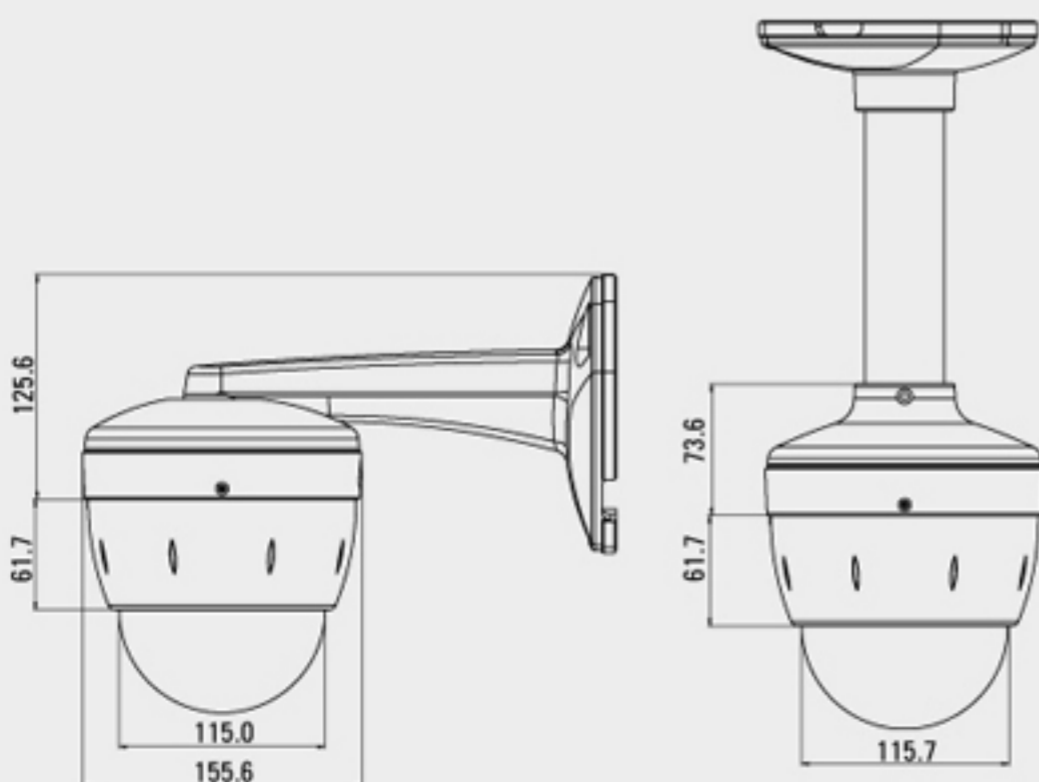


SMWB1000 : Wall Mount



SMPB1000 : Pendant Mount

DIMENSIONS



SPECIFICATIONS

Model	SM1063N(P)/SM1065N(P)	
Video Signal System	NTSC	PAL
CCD	1/4" Interline Transfer CCD	
Max. Pixels	811(H) x 508(V) 410K	795(H) x 596(V) 470K
Effective Pixels	768(H) x 494(V) 380K	752(H) x 582(V) 440K
Horizontal Res.	500 TV Lines(Color), 570 TV Lines(B/W)	
S/N Ratio	50 dB (AGC Off)	
Zoom	x10 Optical Zoom, x10 Digital Zoom	
Focal length	F1.8, f=3.8-38mm	
Min. illumination	0.7Lux (Color) / 0.02Lux (B/W), 50IRE	
Day & Night	Auto / Day / Night(ICR)	
Focus	Auto / Manual / SemiAuto	
Iris	Auto / Manual	
Shutter Speed	x128 - 1/120000sec	
AGC	Normal / High / Off	
White Balance	Auto / Manual(Red, Blue Gain Adjustable)	
BLC	Low / Middle / High / Off	
Flickerless	Selectable	
Digital Noise Reduction	Low / Middle / High / Off	
Range	Pan	360°(Endless)
	Tilt	180°(Auto-Flip), 95°(Normal)
	Preset	360°/sec
Pan/Tilt Speed	Manual	0.05 - 360°/sec (Proportional to Zoom)
	Swing	1- 180°/sec
	Preset	127 Preset (Label, Camera Image Setting)
Pattern	4 Pattern, 1200 commands (about 5 minute)/Pattern	
Swing	8 Swing	
Group	8 Group (20 action entities per Group)	
Other Functions	Auto Flip, Auto Parking, Power Up Action etc.	
Communication	RS-485	
Protocol	Pelco-D, Pelco-P selectable	
Privacy Zone	4 Zone	
Alarm Input	4 Input	
OSD	Menu / PTZ information etc	
Rated Power**	SM1063N(P)	DC 12V / 0.8A
	SM1065N(P)	AC 24V / 0.4A
Dimension	Dome : Ø115, Housing : Ø147.5 x 141(H) mm	
Weight	Approx. 1kg	
Operating Temp.	0°C - 40°C	

* Specifications of this product can be subjected to change without notice.

** Check the voltage and current capacity of rated power carefully.

A1568NL / A1568PL

30x Zoom Camera



FEATURES

- 1/4" SONY Super HAD CCD
- High Resolution : 480 TV Lines
- Built-in Auto Focus/Auto Iris
- 30x Optical Power Zoom Lens
- 10x Digital Zoom (Max. 300x), TDN(ICR)
- OSD(On Screen Display)
- Video Transmission Distance Adjustable (3 Steps)
- RS-485 Interface(Pelco-D)/PTZ Controller Interface
- Electronic Sensitivity-up(DSS)
- 24VAC/12VDC Dual Voltage

OPTIONAL MODEL

- A1563NL/A1563PL : 12VDC

REAR VIEW



A1568NL/A1568PL

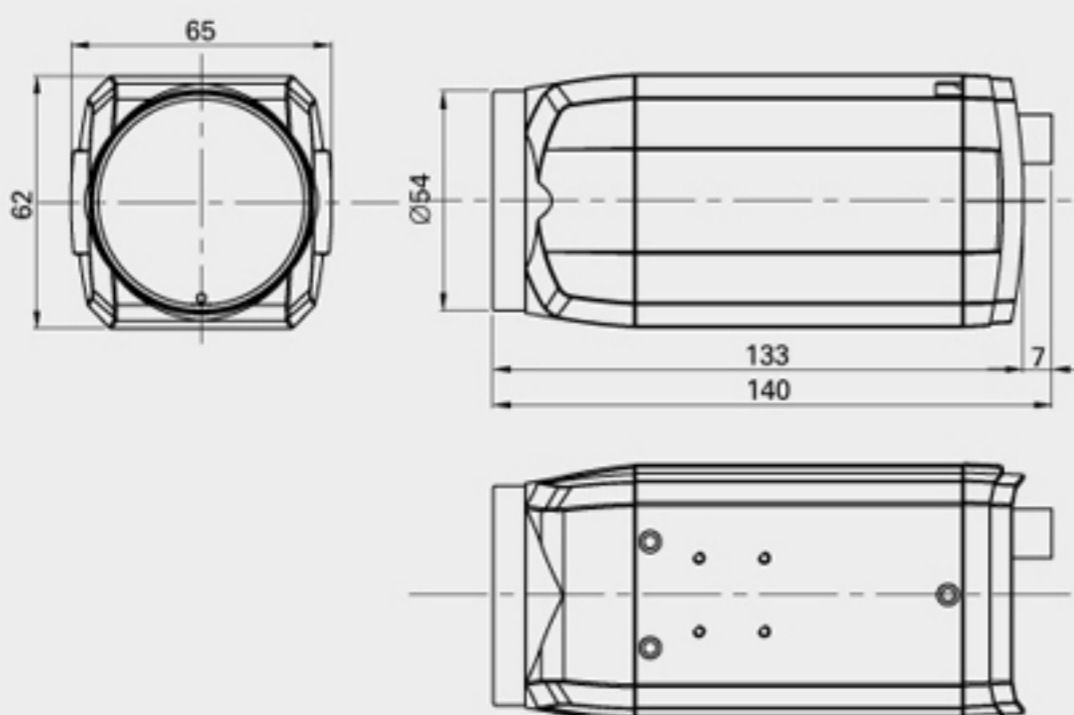


A1563NL/A1563PL

OPTIONAL ACCESSORY

- IRC100/IRC200 : Wireless IR Remote Controllers
- WMB50/WMB65/WMB80 : Universal Mounting Brackets
- WMB200 : Wall Mounting Bracket

DIMENSIONS



SPECIFICATIONS

Model	A1568NL	A1568PL
Signal System	NTSC	PAL
Scanning System	2:1 Interface	
Scanning Frequency (H)	15.734kHz	15.625kHz
Scanning Frequency (V)	59.94Hz	50Hz
Image Sensor	1/4" SONY Super HAD CCD	
Sync. System	Internal	
Total Pixels No.	811(H) x 508(V) 410K	795(H) x 596(V) 470K
Effective Pixels No.	768(H) x 494(V) 380K	752(H) x 582(V) 440K
Horizontal Resolution	480 TV Lines	
Video Output Level	1.0 Vp-p (75Ω , Composite)	
S/N Ratio	More than 48dB (AGC Off)	
Lens	30x Optical Zoom (F1.6(W), F3.2(T) f=3.3-99.0mm) Video AF	
Digital Zoom Ratio	10x Digital Zoom	
Focus Mode	Auto/Manual	
Day&Night Type	Electronic Sensitivity-up (DSS), ICR (AGC type)	
Digital Slow Shutter	Off/2FLD-128FLD Mode	
Min. Illumination (30IRE)	Day Mode 1Lux (Color), Night Mode 0.5Lux (B/W), DSS 0.001 Lux (128FLD, B/W)	
OSD	On/Off	
AGC	Auto/Manual (0-255)	
BLC, Flickerless	On/Off	
White Balance	Auto/SwB/lwB/owB/PwB	
Motion Detection	On (Center/Out/Upper/Whole)/Off	
Electronic Shutter Speed	1/60 - 1/10,000sec	1/50 - 1/10,000sec
Camera Control	Rear Button, RS485 (Pelco-D)	
Input/Output Connector	Power : 2 Pin Terminal / Control : 5 Pin Terminal / Video Output : BNC	
Supplied Voltage	24VAC (20V-28V) / 12VDC (10V-15V)	
Power Consumption	Max. 6W / 0.5A	
Dimensions	65(W) x 62(H) x 140(D) mm	
Weight (Net)	Approx. 375g	



FEATURES

- 1/4" SONY Super HAD CCD
- High Resolution : 480 TV Lines
- Built-in Auto Focus/Auto Iris
- 26x Optical Power Zoom Lens
- 10x Digital Zoom (Max. 260x), TDN (ICR)
- Built-in IR LED (7EA) and Sensor (1EA)
- OSD(On Screen Display)
- RS-485 Interface (Pelco-D)
- 12VDC

OPTIONAL MODEL

- **AN808/AP808** : without (IR LED & Sensor), RS-485/PTZ Controller Interface, 24VAC/12VDC
- **AN802/AP802** : without (IR LED & Sensor), RS-485 Interface, 12VDC

REAR VIEW



AN802IR/AP802IR

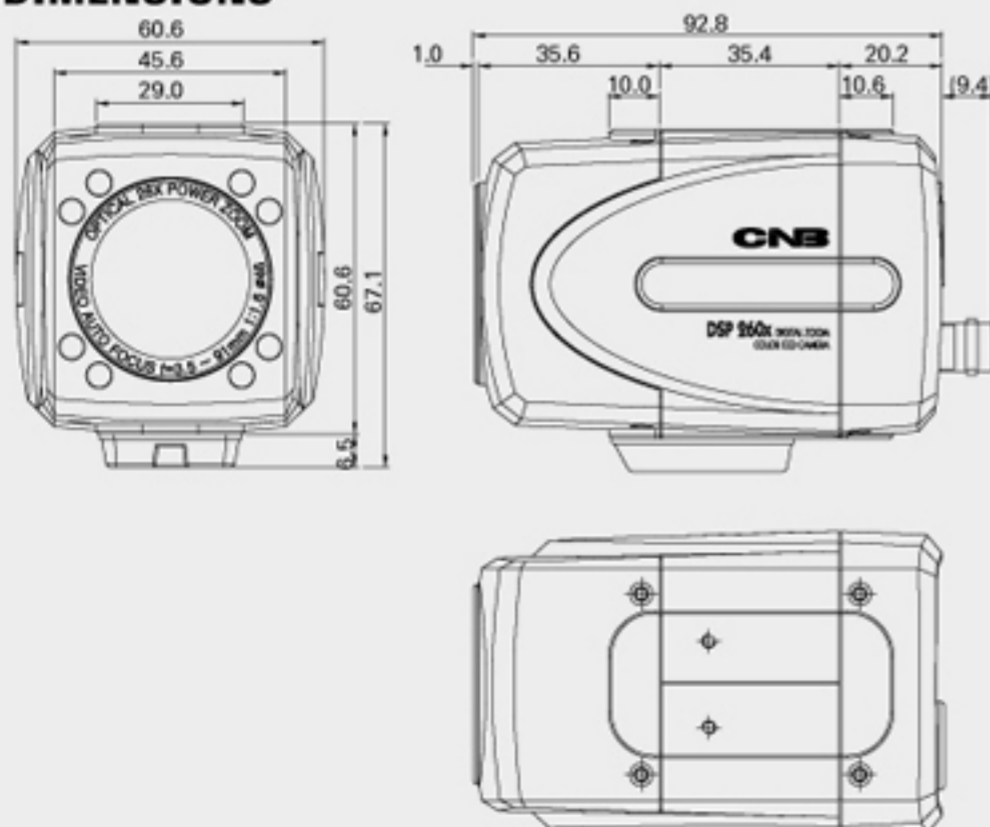


AN808/AP808

OPTIONAL ACCESSORY

- **IRC100/IRC200** : Wireless IR Remote Controllers
- **WMB50/WMB65/WMB80** : Universal Mounting Brackets
- **WMB200** : Wall Mounting Bracket

DIMENSIONS



SPECIFICATIONS

Model	AN802IR	AP802IR
Signal System	NTSC	PAL
Scanning System	2:1 Interface	
Scanning Frequency (H)	15.734kHz	15.625kHz
Scanning Frequency (V)	59.94Hz	50Hz
Image Sensor	1/4" SONY Super HAD CCD	
Sync. System	Internal	
Total Pixels No.	811(H) x 508 (V) 410K	795 (H) x 596 (V) 470K
Effective Pixels No.	768 (H) x 494 (V) 380K	752 (H) x 582 (V) 440K
Horizontal Resolution	480 TV Lines	
Video Output Level	1.0 Vp-p (75Ω, Composite)	
S/N Ratio	More than 48dB (AGC Off)	
Lens	26x Optical Zoom (F1.6(W),F3.8(T), f=3.5-91.0mm) Video AF	
Digital Zoom Ratio	10x Digital Zoom	
Focus Mode	Auto/Manual	
Day&Night Type	ICR (Sensor type)	
IR LED and Sensor	IR LED (850nm, 30") 7EA, Sensor 1EA	
IR Visible Range	Max. 5m	
Min. Illumination(30IRE)	1Lux (Day Mode, AGC On), 0Lux (IR LED On, B/W)	
OSD	On/Off	
AGC	Auto/Manual (0-255)	
BLC, Flickerless	On/Off	
White Balance	Auto/SwB/lwB/OwB/PwB	
Electronic Shutter Speed	1/60 - 1/10,000sec	1/50 - 1/10,000sec
Camera Control	Rear Button, RS485 (Pelco-D)	
Input/Output Connector	Power : 2 Pin Terminal / Control : 6 Pin Circle Connector / Video Output : BNC	
Supplied Voltage	12VDC (9V-15V)	
Power Consumption	Max. 5.5W / 450mA	
Dimensions	60.6(W) x 67.1(H) x 102.2(D) mm	
Weight (Net)	Approx. 300g	

A1268NL / A1268PL

22x Zoom Camera



FEATURES

- 1/4" SONY Super HAD CCD
- High Resolution : 480 TV Lines
- Built-in Auto Focus/Auto Iris
- 22x Optical Power Zoom Lens
- 10x Digital Zoom (Max. 220x)
- OSD (On Screen Display)
- Video Transmission Distance Adjustable (3 Steps)
- RS-485 Interface (Pelco-D)/PTZ Controller Interface
- Electronic Sensitivity-up (DSS)
- 24VAC/12VDC Dual Voltage

OPTIONAL MODEL

- A1263NL/A1263PL : DSS, 12VDC
- A1268N/A1268P : without DSS, 24VAC/12VDC
- A1263M/A1263P : without DSS, 12VDC

REAR VIEW



A1268NL/A1268PL

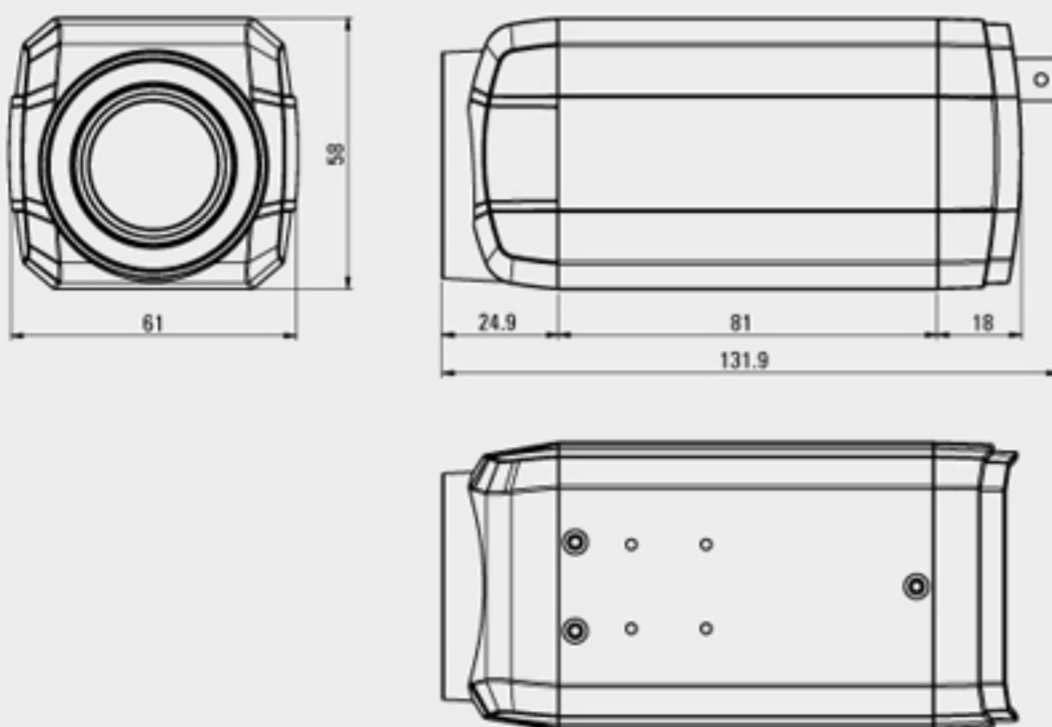


A1263NL/A1263PL

OPTIONAL ACCESSORY

- IRC100/IRC200 : Wireless IR Remote Controllers
- WMB50/WMB65/WMB80 : Universal Mounting Brackets
- WMB200 : Wall Mounting Bracket

DIMENSIONS



SPECIFICATIONS

Model	A1268NL	A1268PL
Signal System	NTSC	PAL
Scanning System	2:1 Interface	
Scanning Frequency (H)	15.734kHz	15.625kHz
Scanning Frequency (V)	59.94Hz	50Hz
Image Sensor	1/4" SONY Super HAD CCD	
Sync. System	Internal	
Total Pixels No.	811(H) x 508(V) 410K	795(H) x 596(V) 470K
Effective Pixels No.	768(H) x 494(V) 380K	752(H) x 582(V) 440K
Horizontal Resolution	480 TV Lines	
Video Output Level	1.0 Vp-p (75Ω, Composite)	
S/N Ratio	More than 48dB (AGC Off)	
Lens	22x Optical Zoom (F1.6(W),F5.5(T)) f=3.9-85.8mm) Video AF	
Digital Zoom Ratio	10x Digital Zoom	
Focus Mode	Auto/Manual	
Day&Night Type	Electronic Sensitivity-up (DSS)	
Digital Slow Shutter	Off/2FLD-128FLD Mode	
Min. Illumination(30IRE)	1.0Lux (Day Mode), 0.001Lux (Night Mode)	
OSD	On/Off	
BLC	On/Off	
White Balance	Auto	
Mirror Function	On/Off	
Electronic Shutter Speed	1/60 ~ 1/10,000sec	1/50 ~ 1/10,000sec
Camera Control	Rear Button, RS485 (Pelco-D)	
Input/Output Connector	Power : 2 Pin Terminal / Control : 5 Pin Terminal / Video Output : BNC	
Supplied Voltage	24VAC (20V-28V) / 12VDC (11V-15V)	
Power Consumption	Max. 6W / 0.5A	
Dimensions	61(W) x 58(H) x 131.9(D) mm	
Weight (Net)	Approx. 300g	



FEATURES

- 1/4" SONY Super HAD CCD
- High Resolution : 480 TV Lines
- Built-in Auto Focus/Auto Iris
- 16x Optical Power Zoom Lens
- 12x Digital Zoom (Max. 192x)
- OSD (On Screen Display)
- Video Transmission Distance Adjustable (3 Steps)
- RS-485 Interface (Pelco-D)/PTZ Controller Interface
- Electronic Sensitivity-up (DSS)
- 24VAC/12VDC Dual Voltage

OPTIONAL MODEL

- AN122L/AP122L : DSS, 12VDC
- AN127/AP127 : without DSS, 24VAC/12VDC
- AN122/AP122 : without DSS, 12VDC

REAR VIEW



AN127L/AP127L

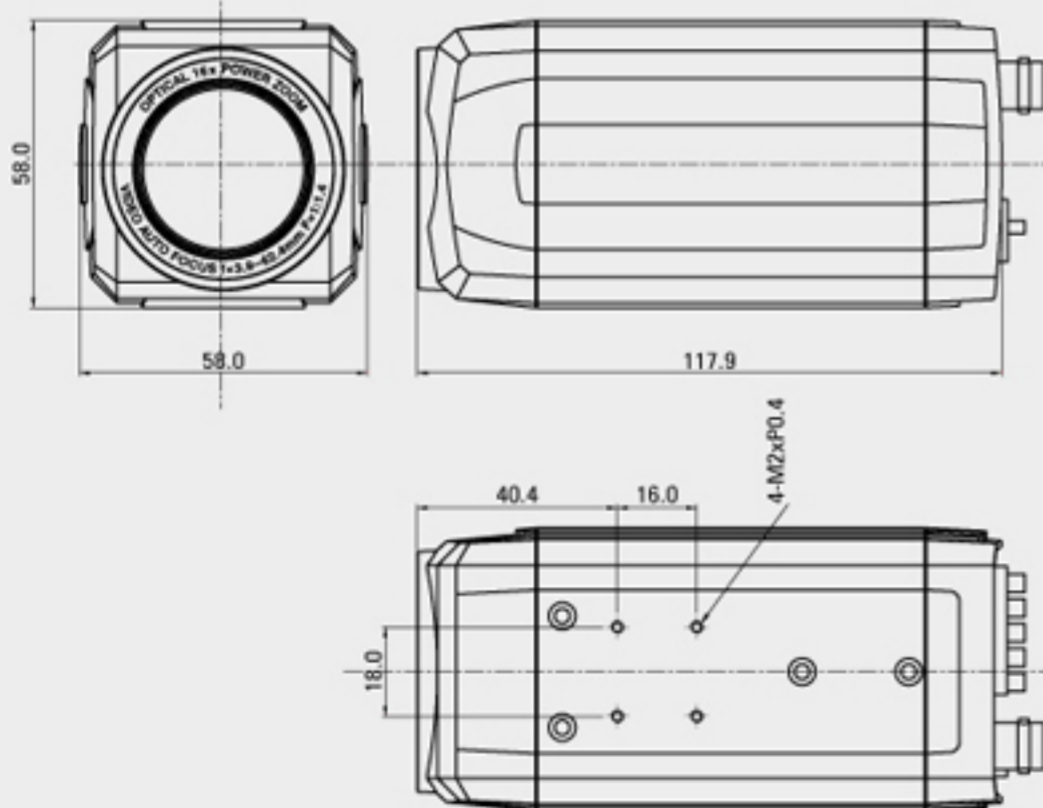


AN122L/AP122L

OPTIONAL ACCESSORY

- IRC100/IRC200 : Wireless IR Remote Controllers
- WMB50/WMB65/WMB80 : Universal Mounting Brackets
- WMB200 : Wall Mounting Bracket

DIMENSIONS



SPECIFICATIONS

Model	AN127L	AP127L
Signal System	NTSC	PAL
Scanning System	2:1 Interface	
Scanning Frequency (H)	15.734kHz	15.625kHz
Scanning Frequency (V)	59.94Hz	50Hz
Image Sensor	1/4" SONY Super HAD CCD	
Sync. System	Internal	
Total Pixels No.	811(H) x 508(V) 410K	795(H) x 596(V) 470K
Effective Pixels No.	768(H) x 494(V) 380K	752(H) x 582(V) 440K
Horizontal Resolution	480 TV Lines	
Video Output Level	1.0 Vp-p (75Ω, Composite)	
S/N Ratio	More than 48dB (AGC Off)	
Lens	16x Optical Zoom (F1.4(W), F2.6(T), f=3.9-62.4mm) Video AF	
Digital Zoom Ratio	12x Digital Zoom	
Focus Mode	Auto/Manual	
Day&Night Type	Electronic Sensitivity-up (DSS)	
Digital Slow Shutter	Off/2FLD-128FLD Mode	
Min. Illumination	1.0Lux (Color), 0.001Lux (DSS On, B/W)	
OSD	On/Off	
BLC	On/Off	
White Balance	Auto	
Mirror Function	On/Off	
Electronic Shutter Speed	1/60 - 1/10,000sec	1/50 - 1/10,000sec
Camera Control	Rear Button, RS485 (Pelco-D)	
Input/Output Connector	Power : 2 Pin Terminal / Control : 5 Pin Terminal / Video Output : BNC	
Supplied Voltage	24VAC (20V-28V) / 12VDC (11V-15V)	
Power Consumption	Max. 6W / 0.5A	
Dimensions	58(W) x 58(H) x 117.9(D) mm	
Weight (Net)	Approx. 300g	



FEATURES

- 1/4" SONY Super HAD CCD
- High Resolution : 480 TV Lines
- Built-in Auto Focus/Auto Iris
- 30x Optical Power Zoom Lens
- 10x Digital Zoom (Max. 300x), TDN (ICR)
- OSD (On Screen Display)
- RS-232C TTL Interface
- Electronic Sensitivity-up (DSS)
- 12VDC

Applications

Speed Dome Zoom Module

OPTIONAL MODEL

- VN800/VP800 : 26x optical, TDN(ICR), without DSS, 12VDC
- VN200/VP200 : 22x optical, DSS, without TDN(ICR)

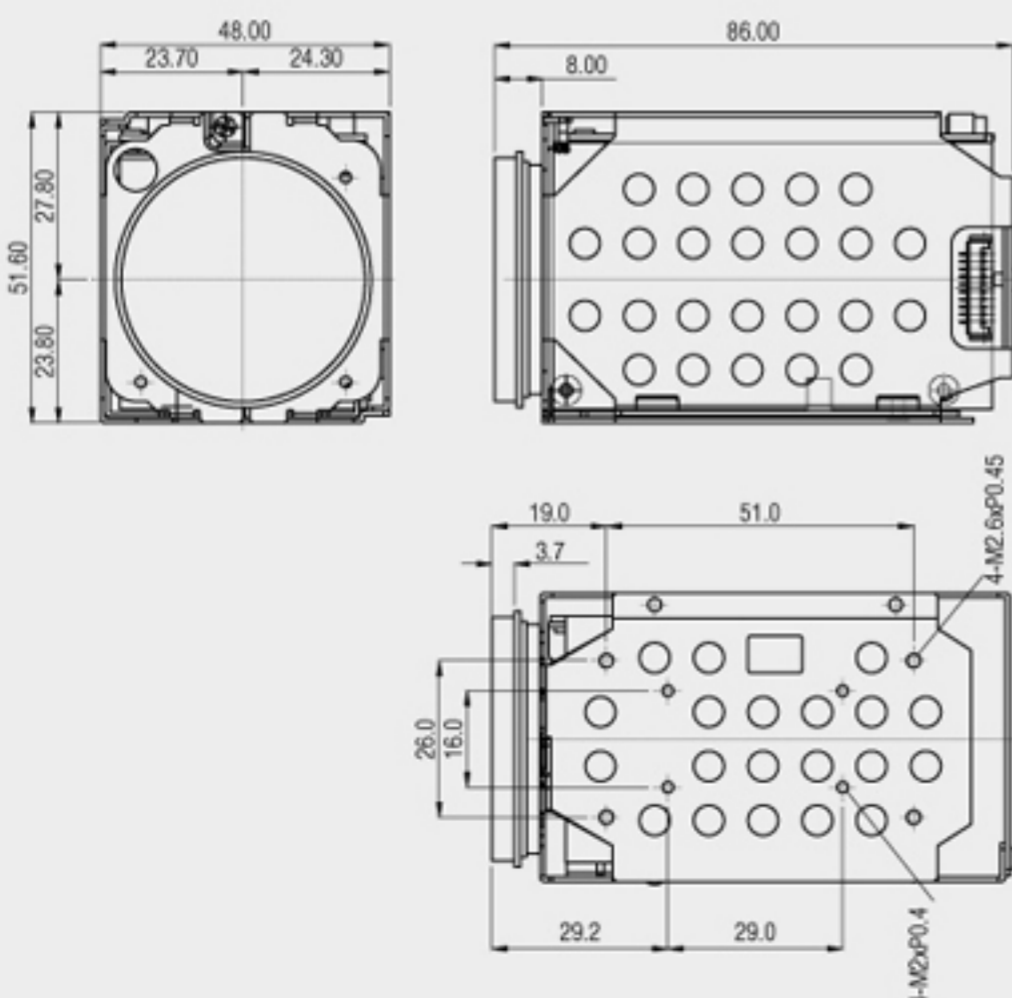


VN800/VP800



VN200/VP200

DIMENSIONS



SPECIFICATIONS

Model	M1560NL	M1560PL
Signal System	NTSC	PAL
Scanning System	2:1 Interface	
Scanning Frequency (H)	15.734kHz	15.625kHz
Scanning Frequency (V)	59.94Hz	50Hz
Image Sensor	1/4" SONY Super HAD CCD	
Sync. System	Auto Detection-Internal/External (Line Lock)	
Total Pixels No.	811(H) x 508(V) 410K	795(H) x 596(V) 470K
Effective Pixels No.	768(H) x 494(V) 380K	752(H) x 582(V) 440K
Horizontal Resolution	480 TV Lines	
Video Output Level	1.0 Vp-p (75Ω, Composite)	
S/N Ratio	More than 48dB (AGC Off)	
Lens	30x Optical Zoom (F1.6(W), F3.2(T) f=3.3-99.0mm) Video AF	
Digital Zoom Ratio	10x Digital Zoom	
Focus Mode	Auto/Manual	
Day&Night Type	Electronic Sensitivity-up (DSS), ICR (AGC type)	
Digital Slow Shutter	Off/2FLD-128FLD Mode	
Min. Illumination (30IRE)	Day Mode 1Lux(Color), Night Mode 0.5Lux (B/W), DSS 0.001 Lux (128FLD, B/W)	
OSD	On/Off	
AGC	Auto/Manual (0-255)	
BLC, Flickerless	On/Off	
White Balance	Auto/SwB/lwB/owB/PwB	
Motion Detection	On (Center/Out/Upper/Whole)/Off	
Electronic Shutter Speed	1/60 - 1/10,000sec	1/50 - 1/10,000sec
Camera Control	RS-232C TTL	
Input/Output Connector	9 Pin Flat Cable	
Supplied Voltage	12VDC (9V-15V)	
Power Consumption	Max. 4.56W / 380mA	
Dimensions	48(W) x 51.6(H) x 86(D) mm	
Weight (Net)	Approx. 250g	

Color Box Camera

* The lowercase "x" in the model name represents the "N"(NTSC type) or "P"(PAL type).

Model	Resolution	Day&Night	Supplied Voltage	Min. Illumination	Remarks
Gx605	480 TV Lines	TDN, DSS	24VAC/12VDC	0.0003Lux (DSS On, B/W)	WDR, OSD, 3x Digital Zoom, RS-485
Gx600	480 TV Lines	TDN, DSS	12VDC	0.0003Lux (DSS On, B/W)	WDR, OSD, 3x Digital Zoom, RS-485
Gx608	480 TV Lines	TDN, DSS	100VAC~240VAC	0.0003Lux (DSS On, B/W)	WDR, OSD, 3x Digital Zoom, RS-485
G2965xF	530 TV Lines	TDN, DSS	24VAC/12VDC	0.0005Lux (DSS On, B/W)	OSD, SDNR, 8x Digital Zoom, RS-485
G2960xF	530 TV Lines	TDN, DSS	12VDC	0.0005Lux (DSS On, B/W)	OSD, SDNR, 8x Digital Zoom, RS-485
G1965x	530 TV Lines	DSS	24VAC/12VDC	0.0008Lux (DSS On, B/W)	OSD, SDNR
G1960x	530 TV Lines	DSS	12VDC	0.0008Lux (DSS On, B/W)	OSD, SDNR
G1815xF	550 TV Lines	TDN, DSS	24VAC/12VDC	0.008Lux (DSS On x32)	SDNR, 2x Digital Zoom
G1810xF	550 TV Lines	TDN, DSS	12VDC	0.008Lux (DSS On x32)	SDNR, 2x Digital Zoom
G1818xF	550 TV Lines	TDN, DSS	100VAC~240VAC	0.008Lux (DSS On x32)	SDNR, 2x Digital Zoom
G1815x	550 TV Lines	DSS	24VAC/12VDC	0.008Lux (DSS On x32)	SDNR, 2x Digital Zoom
G1810x	550 TV Lines	DSS	12VDC	0.008Lux (DSS On x32)	SDNR, 2x Digital Zoom
G1818x	550 TV Lines	DSS	100VAC~240VAC	0.008Lux (DSS On x32)	SDNR, 2x Digital Zoom
G2315xF	550 TV Lines	TDN	24VAC/12VDC	0.1Lux (B/W)	BFL External Adjustment
G2310xF	550 TV Lines	TDN	12VDC	0.1Lux (B/W)	BFL External Adjustment
G1315xF	550 TV Lines	TDN	24VAC/12VDC	0.1Lux (B/W)	
G1310xF	550 TV Lines	TDN	12VDC	0.1Lux (B/W)	
G1318xF	550 TV Lines	TDN	100VAC~240VAC	0.1Lux (B/W)	
G1315x	550 TV Lines		24VAC/12VDC	0.3Lux	
G1310x	550 TV Lines		12VDC	0.3Lux	
G1318x	550 TV Lines		100VAC~240VAC	0.3Lux	
GL3415x	480 TV Lines		24VAC/12VDC	0.3Lux	
GL3410x	480 TV Lines		12VDC	0.3Lux	
GM3005xDNF	380 TV Lines	IR Pass Filter	24VAC/12VDC	0.05Lux (B/W)	
GM3000xDNF	380 TV Lines	IR Pass Filter	12VDC	0.05Lux (B/W)	
GM3005x	380 TV Lines		24VAC/12VDC	0.1Lux	
GM3000x	380 TV Lines		12VDC	0.1Lux	

Monochrome Box Camera

Model	Resolution	Day&Night	Supplied Voltage	Min. Illumination	Remarks
GS3010xBX	580 TV Lines		12VDC	0.002Lux (AGC High)	SONY EXview CCD
GS3010xB	580 TV Lines		12VDC	0.003Lux (AGC High)	SONY Super HAD CCD

Built-in Vari-focal Lens Camera

Model	Resolution	Built-in Lens	Day&Night	IR LED	Min. Illumination	Supplied Voltage	Remarks
Gx785IR	550 TV Lines	F=1.2, f=3.8~9.5mm	TDN, DSS	7EA	0Lux (IR LED On)	24VAC/12VDC	SDNR, 2x Digital Zoom
Gx780IR	550 TV Lines	F=1.2, f=3.8~9.5mm	TDN, DSS	7EA	0Lux (IR LED On)	12VDC	
Gx735	550 TV Lines	F=1.5, f=4~9mm			0.3Lux	24VAC/12VDC	
Gx730	550 TV Lines	F=1.5, f=4~9mm			0.3Lux	12VDC	
Gx745	480 TV Lines	F=1.5, f=4~9mm			0.3Lux	24VAC/12VDC	
Gx740	480 TV Lines	F=1.5, f=4~9mm			0.3Lux	12VDC	



FEATURES

- 1/3" SONY Double Scan CCD
- High Resolution : 480 TV Lines
- TDN(ICR), 3x Digital Zoom
- Min. Illumination : 0.0003Lux (DSS On, B/W)
- OSD(On Screen Display), Auto White Balance
- AGC(Low/Middle/High), BLC/Flickerless (On/Off)
- Wide Dynamic Range, Privacy Zone
- RS-485(Pelco-D) Interface
- Electronic Sensitivity-up(DSS)
- 24VAC/12VDC Dual Voltage(Line-Lock)

OPTIONAL MODEL

- GN600/GP600 : 12VDC
- GN608/GP608 : 100VAC~240VAC

REAR VIEW



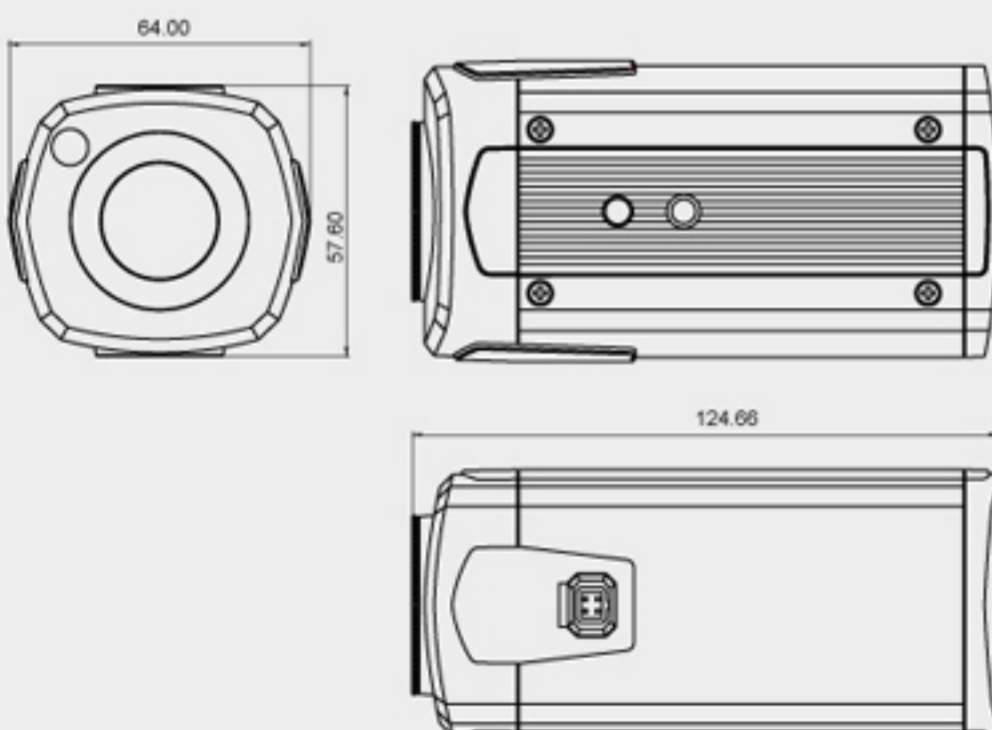
GN605/GP605

GN600/GP600

OPTIONAL ACCESSORY

- WMB50/WMB65/WMB80 : Universal Mounting Brackets
- WMB200 : Wall Mounting Bracket

DIMENSIONS



SPECIFICATIONS

Model	GN605	GP605
Signal System	NTSC	PAL
Scanning System	2:1 Interface	
Scanning Frequency (H)	15.734kHz	15.625kHz
Scanning Frequency (V)	59.94Hz	50Hz
Image Sensor	1/3" SONY Double Scan CCD	
Sync. System	Internal/External(Line-Lock)	
Total Pixels No.	811(H) x 508(V) 410K	795(H) x 596(V) 470K
Effective Pixels No.	768(H) x 494(V) 380K	752(H) x 582(V) 440K
Horizontal Resolution	480 TV Lines	
Video Output Level	1.0 Vp-p (75Ω, Composite)	
S/N Ratio	More than 48dB (AGC Off)	
Lens Mount	C/CS Mount	
Digital Zoom Ratio	3x Digital Zoom	
Iris Mode	Video/ELC/DC (Slide Switch)	
Day&Night Type	Electronic Sensitivity-up(DSS), ICR (AGC type)	
Digital Slow Shutter	Max. 160FLD (On/Off)	
Min. Illumination	0.3Lux (Color), 0.0003Lux (DSS On, B/W)	
OSD	On/Off	
AGC	OFF/LOW/MID/HIGH Selectable	
BLC, Flickerless	On/Off	
Wide Dynamic Range	On(0-15, Max. 60dB) / Off	
White Balance	AWB (AUTO/HOLD/USER)	
Privacy Zone	On/Off (4 Programmable Zone)	
Electronic Shutter Speed	1/60 - 1/10,000sec	1/50 - 1/10,000sec
Camera Control	Rear Button, RS485(Pelco-D)	
Operating Temperature	-10°C~+50°C (Recommendation: +5°C~+40°C)	
Supplied Voltage	24VAC (20V~28V) / 12VDC (10V~15V)	
Power Consumption	Max. 7.2W / 600mA	
Dimensions	64(W) x 57.6(H) x 124.6(D) mm	
Weight (Net)	Approx. 430g	



FEATURES

- 1/3" SONY Super HAD CCD
- High Resolution : 530 TV Lines
- TDN(ICR), 8x Digital Zoom
- Min. Illumination : 0.0005Lux (DSS On, B/W)
- OSD(On Screen Display)
- Auto White Balance, Privacy Zone
- AGC/BLC(Low/Middle/High), Flickerless(On/Off)
- Super Digital Noise Reduction
- RS-485 Interface
- Electronic Sensitivity-up(DSS)
- 24VAC/12VDC Dual Voltage(Line-Lock)

OPTIONAL MODEL

- **G2960NF/G2960PF** : TDN(ICR), RS-485, 8x D. Zoom, 12VDC
- **G1965N/G1965P** : without (TDN(ICR), RS-485, 8x D. Zoom), 24VAC/12VDC
- **G1960N/G1960P** : without (TDN(ICR), RS-485, 8x D. Zoom), 12VDC

REAR VIEW



G2965NF/G2965PF

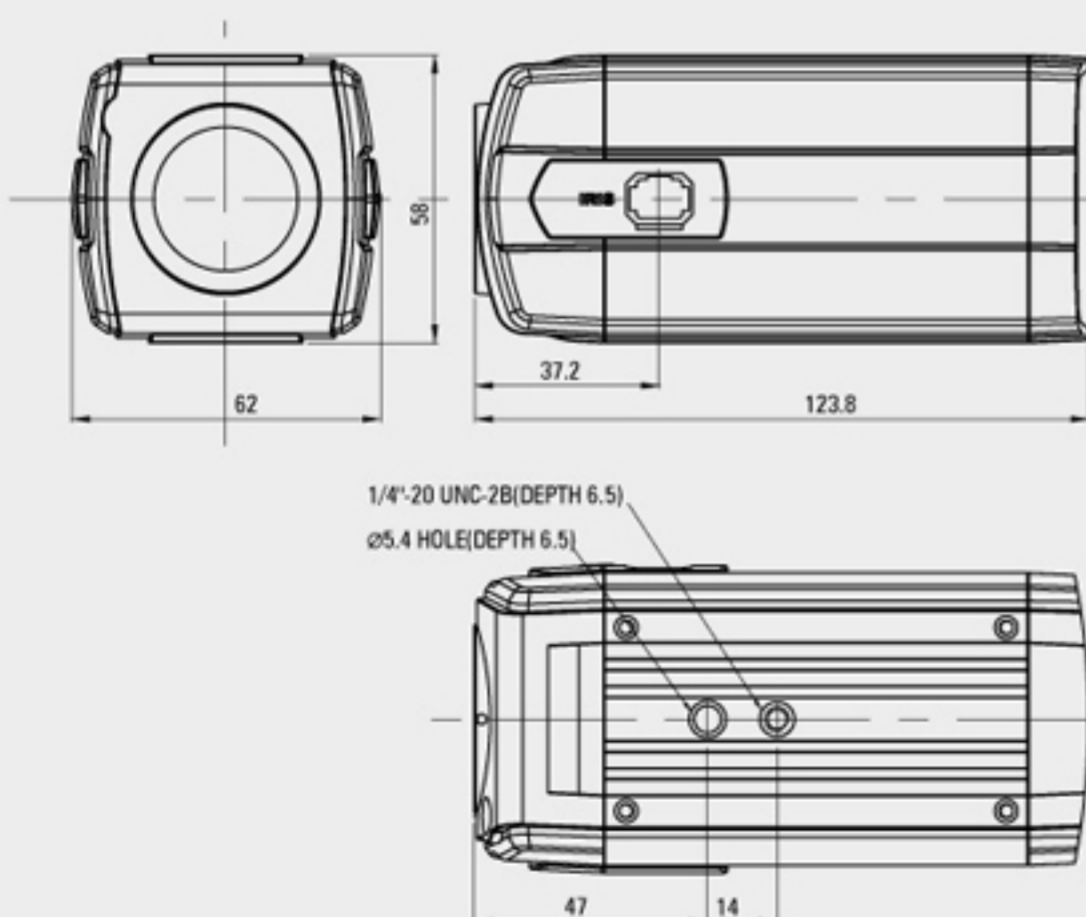


G1965N/G1965P

OPTIONAL ACCESSORY

- **IRC100/IRC200** : Wireless IR Remote Controllers

DIMENSIONS



SPECIFICATIONS

Model	G2965NF	G2965PF
Signal System	NTSC	PAL
Scanning System	2:1 Interface	
Scanning Frequency (H)	15.734kHz	15.625kHz
Scanning Frequency (V)	59.94Hz	50Hz
Image Sensor	1/3" SONY Super HAD CCD	
Sync. System	Internal/External(Line-Lock)	
Total Pixels No.	811(H) x 508(V) 410K	795(H) x 596(V) 470K
Effective Pixels No.	768(H) x 494(V) 380K	752(H) x 582(V) 440K
Horizontal Resolution	530 TV Lines	
Video Output Level	1.0 Vp-p (75Ω, Composite)	
S/N Ratio	More than 50dB (AGC Off)	
Lens Mount	C/CS Mount	
Digital Zoom Ratio	8x Digital Zoom	
Day&Night Type	Electronic Sensitivity-up(DSS), ICR (AGC type)	
Digital Slow Shutter	Max. 128FLD (On/Off)	
Min. Illumination	0.1Lux (Color), 0.0005Lux (DSS On, B/W)	
Digital Noise Reduction	Off/Low/Middle/High	
OSD	On/Off	
AGC, BLC	Off/Low/Middle/High	
Flickerless	On/Off	
White Balance	ATW(1,800°K~10,500°K)/AWC/MANUAL	
Privacy Zone	On/Off (4 Programmable Zone)	
Motion Detection	On/Off (4 Programmable Zone)	
Sharpness Control	On/Off (Level Adjustable)	
Electronic Shutter Speed	1/60 ~ 1/120,000sec	1/50 ~ 1/120,000sec
Operating Temperature	-10°C ~ +50°C (Recommendation: +5°C ~ +40°C)	
Supplied Voltage	24VAC (20V~28V) / 12VDC (10V~15V)	
Power Consumption	Max. 4W / 330mA	
Dimensions	62(W) x 58(H) x 123.8(D) mm	
Weight (Net)	Approx. 430g	



FEATURES

- 1/4" SONY Super HAD CCD
- Super High Resolution : 550 TV Lines
- TDN(ICR), 2x Digital Zoom
- Min. Illumination : 0.008Lux (DSS On x32)
- Auto White Balance
- AGC/BLC/Flickerless (On/Off)
- Super Digital Noise Reduction
- Electronic Sensitivity-up(DSS)
- 24VAC/12VDC Dual Voltage(Line-Lock)

OPTIONAL MODEL

- G1810NF/G1810PF : TDN(ICR), 12VDC
- G1818NF/G1818PF : TDN(ICR), 100VAC~240VAC
- G1815N/G1815P : without TDN(ICR), 24VAC/12VDC
- G1810N/G1810P : without TDN(ICR), 12VDC
- G1818N/G1818P : without TDN(ICR), 100VAC~240VAC

REAR VIEW



G1815NF/G1815PF

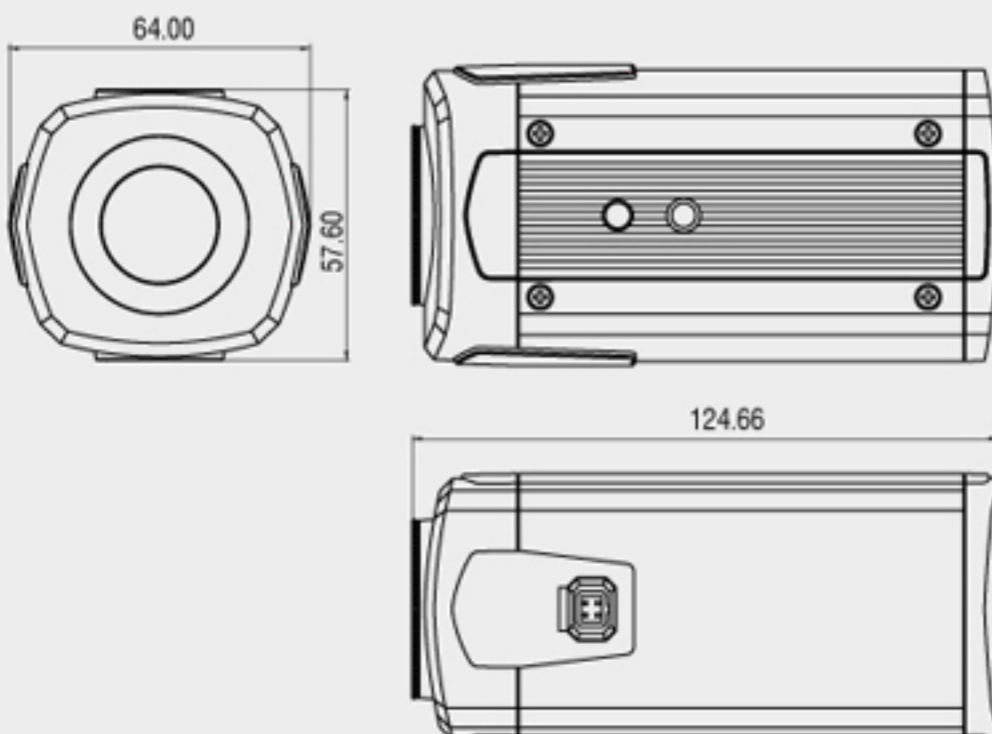


G1810NF/G1810PF

OPTIONAL ACCESSORY

- WMB50/WMB65/WMB80 : Universal Mounting Brackets
- WMB200 : Wall Mounting Bracket

DIMENSIONS



SPECIFICATIONS

Model	G1815NF	G1815PF
Signal System	NTSC	PAL
Scanning System	2:1 Interface	
Scanning Frequency (H)	15.734kHz	15.625kHz
Scanning Frequency (V)	59.94Hz	50Hz
Image Sensor	1/4" SONY Super HAD CCD	
Sync. System	Internal/External(Line-Lock)	
Total Pixels No.	811(H) x 508(V) 410K	795(H) x 596(V) 470K
Effective Pixels No.	768(H) x 494(V) 380K	752(H) x 582(V) 440K
Horizontal Resolution	550 TV Lines	
Video Output Level	1.0 Vp-p (75Ω, Composite)	
S/N Ratio	More than 50dB (AGC Off)	
Lens Mount	C/CS Mount	
Digital Zoom Ratio	2x Digital Zoom	
Iris Mode	ELC/DC (Slide Switch)	
Day&Night Type	Electronic Sensitivity-up(DSS), ICR (AGC type)	
Digital Slow Shutter	Max. 32FLD(On/Off)	
Min. Illumination	0.3Lux (Color), 0.1Lux (B/W), 0.008Lux (DSS On x32)	
Digital Noise Reduction	Auto	
AGC	On/Off	
BLC, Flickerless	On/Off	
White Balance	Auto	
Electronic Shutter Speed	1/60 ~ 1/120,000sec	1/50 ~ 1/120,000sec
Operating Temperature	-10°C ~ +45°C	
Supplied Voltage	24VAC (20V~28V) / 12VDC (10V~15V)	
Power Consumption	Max. 3W	
Dimensions	64(W) x 57.6(H) x 124.6(D) mm	
Weight (Net)	Approx. 430g	

G2315NF / G2315PF

550TVL, TDN, Back Focal Length External Adjustment

**FEATURES**

- 1/3" SONY Super HAD CCD
- High Resolution : 550 TV Lines
- TDN(ICR)
- Min. Illumination : 0.1Lux (B/W)
- Auto White Balance
- AGC/BLC/Flickerless (On/Off)
- Back Focal Length External Adjustment
- 24VAC/12VDC Dual Voltage (Line-Lock)

OPTIONAL MODEL

- G2310NF/G2310PF : 12VDC

**G1315NF / G1315PF**

550TVL, TDN

**FEATURES**

- 1/3" SONY Super HAD CCD
- High Resolution : 550 TV Lines
- TDN(ICR)
- Min. Illumination : 0.1Lux (B/W)
- Auto White Balance
- AGC/BLC/Flickerless (On/Off)
- 24VAC/12VDC Dual Voltage

OPTIONAL MODEL

- G1310NF/G1310PF : 12VDC
- G1318NF/G1318PF : 100VAC~240VAC

**G1315N / G1315P**

550TVL

**FEATURES**

- 1/3" SONY Super HAD CCD
- High Resolution : 550 TV Lines
- Min. Illumination : 0.3Lux
- Auto White Balance
- AGC/BLC/Flickerless (On/Off)
- 24VAC/12VDC Dual Voltage

OPTIONAL MODEL

- G1310N/G1310P : 12VDC
- G1318N/G1318P : 100VAC~240VAC



GL3415N/GL3415P

480TVL



FEATURES

- 1/3" SONY Super HAD CCD
- High Resolution : 480 TV Lines
- Min. Illumination : 0.3Lux
- Auto White Balance
- AGC/BLC/Flickerless (On/Off)
- 24VAC/12VDC Dual Voltage

OPTIONAL MODEL

- GL3410N/GL3410P : 12VDC

GM3005NDFN/GM3005PDFN

380TVL, D&N(IR Pass Filter)



FEATURES

- 1/3" SONY Super HAD CCD
- Normal Resolution : 380 TV Lines
- D&N(IR Pass Filter)
- Min. Illumination : 0.05Lux (B/W)
- Auto White Balance
- AGC/BLC/Flickerless (On/Off)
- 24VAC/12VDC Dual Voltage

OPTIONAL MODEL

- GM3000NDFN/GM3000PDFN : D&N(IR Pass Filter), 12VDC
- GM3005N/GM3005P : without D&N(IR Pass Filter), 24VAC/12VDC
- GM3000N/GM3000P : without D&N(IR Pass Filter), 12VDC

GS3010NBX/GS3010PBX

580TVL, Monochrome Box Camera



FEATURES

- 1/3" SONY Exview HAD CCD
- High Resolution : 580 TV Lines
- Min. Illumination : 0.002 Lux (AGC High, Exview CCD)
- Auto White Balance
- AGC (High/Low)
- BLC/Flickerless (On/Off)
- 12VDC

OPTIONAL MODEL

- GS3010NB/GS3010PB : 1/3" SONY Super HAD CCD, 12VDC

GN785IR / GP785IR

Vari-focal Lens IR Box Camera



FEATURES

- 1/3" SONY Super HAD CCD
- Super High Resolution : 550 TV Lines
- Built-in DC Iris Vari-focal Lens (f=3.8~9.5)
- TDN(ICR), 2x Digital Zoom
- Built-in IR LED(7EA) and Sensor(1EA)
- IR Visible Range : Max. 7m
- Min. Illumination : 0.3Lux (Color), 0Lux (IR LED On)
- Auto White Balance
- AGC, BLC, Flickerless (On/Off)
- Super Digital Noise Reduction
- Electronic Sensitivity-up(DSS)
- 24VAC/12VDC Dual Voltage(Line-Lock)

OPTIONAL MODEL

- GN780IR/GP780IR : SDNR, TDN, DSS, IR LED, 12VDC
- GN735/GP735 : without (SDNR, TDN, DSS, IR LED), 24VAC/12VDC
- GN730/GP730 : without (SDNR, TDN, DSS, IR LED), 12VDC
- GN745/GP745 : 480TVL, without (SDNR, TDN, DSS, IR LED), 24VAC/12VDC
- GN740/GP740 : 480TVL, without (SDNR, TDN, DSS, IR LED), 12VDC



GN735/GP735

REAR VIEW



GN785IR/GP785IR

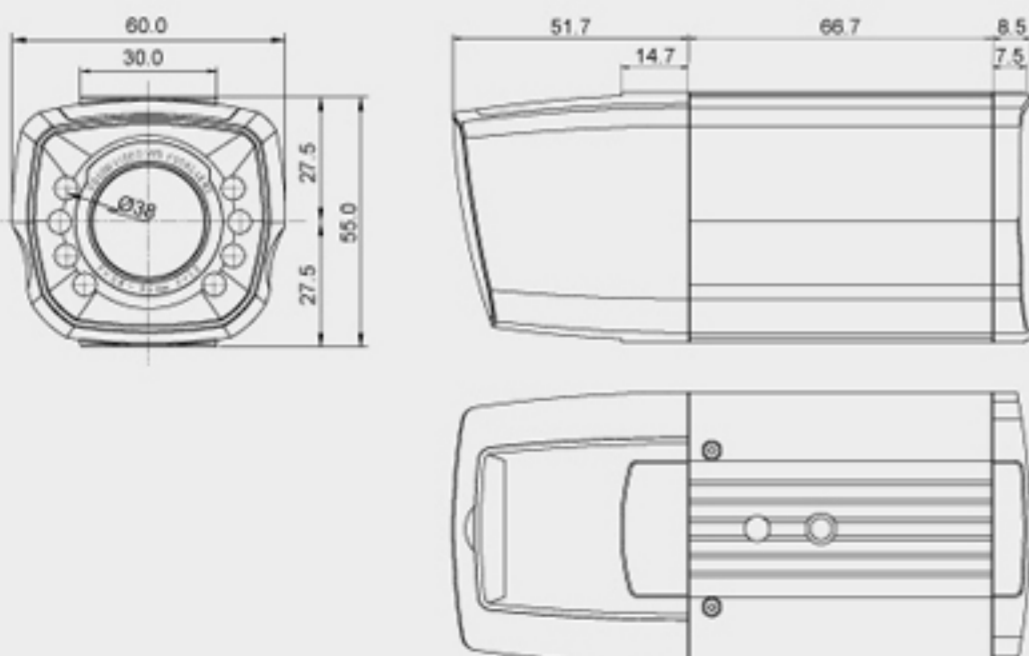


GN735/GP735

OPTIONAL ACCESSORY

- WMB50/WMB65/WMB80 : Universal Mounting Brackets
- WMB200 : Wall Mounting Bracket

DIMENSIONS



SPECIFICATIONS

Model	GN785IR	GP785IR
Signal System	NTSC	PAL
Scanning System	2:1 Interface	
Scanning Frequency (H)	15.734kHz	15.625kHz
Scanning Frequency (V)	59.94Hz	50Hz
Image Sensor	1/3" SONY Super HAD CCD	
Sync. System	Internal/External(Line-Lock)	
Total Pixels No.	811(H) x 508(V) 410K	795(H) x 596(V) 470K
Effective Pixels No.	768(H) x 494(V) 380K	752(H) x 582(V) 440K
Horizontal Resolution	550 TV Lines	
Video Output Level	1.0 Vp-p (75Ω, Composite)	
S/N Ratio	More than 50dB (AGC Off)	
Lens	DC Iris Vari-focal Lens (f=3.8~9.5mm, F1.2)	
Digital Zoom Ratio	2x Digital Zoom (On/Off)	
Day&Night Type	Electronic Sensitivity-up(DSS), ICR (AGC type)	
Digital Slow Shutter	Max. 128FLD (On/Off)	
IR LED and Sensor	IR LED (850nm, 30") 7EA, Sensor 1EA	
IR Visible Range	Max. 7m	
Min. Illumination	0.3Lux (Color), 0.1Lux (B/W), 0.008Lux (DSS On x32), 0Lux (IR LED On)	
Digital Noise Reduction	Auto	
AGC	On/Off	
BLC, Flickerless	On/Off	
White Balance	Auto	
Electronic Shutter Speed	1/60sec	1/50sec
Operating Temperature	-10°C ~ +45°C	
Supplied Voltage	24VAC (20V~28V) / 12VDC (10V~15V)	
Power Consumption	Max. 4.8W / 400mA	
Dimensions	63.6(W) x 54(H) x 129.7(D) mm	
Weight (Net)	Approx. 390g	



FEATURES

- 1/4" SONY Super HAD CCD
- High Resolution : 480 TV Lines
- Built-in Auto Focus / Auto Iris
- 22x Optical Power Zoom Lens
- 10x Digital Zoom (Max. 220x)
- Min. Illumination : 0.001Lux(Night Mode)
- OSD(On Screen Display)
- RS-485 Interface(Pelco-D)
- Electronic Sensitivity-up(DSS) (On/Off)
- Vandal-Resistant Dome Housing
- 24VAC/12VDC Dual Voltage
- Extra Video Out Port for Easy Installation
- 3-Axis Movement for Free Lens Rotation
- Built-in Heater (Option)

OPTIONAL MODEL

- VZD127NL/VZD127PL : Max.192x Zoom (16x Optical/12x Digital)

OPTIONAL ACCESSORY

- IRC100/IRC200 : Wireless Remote Controllers
- WVZB100 : Wall Mounting Bracket



IRC100

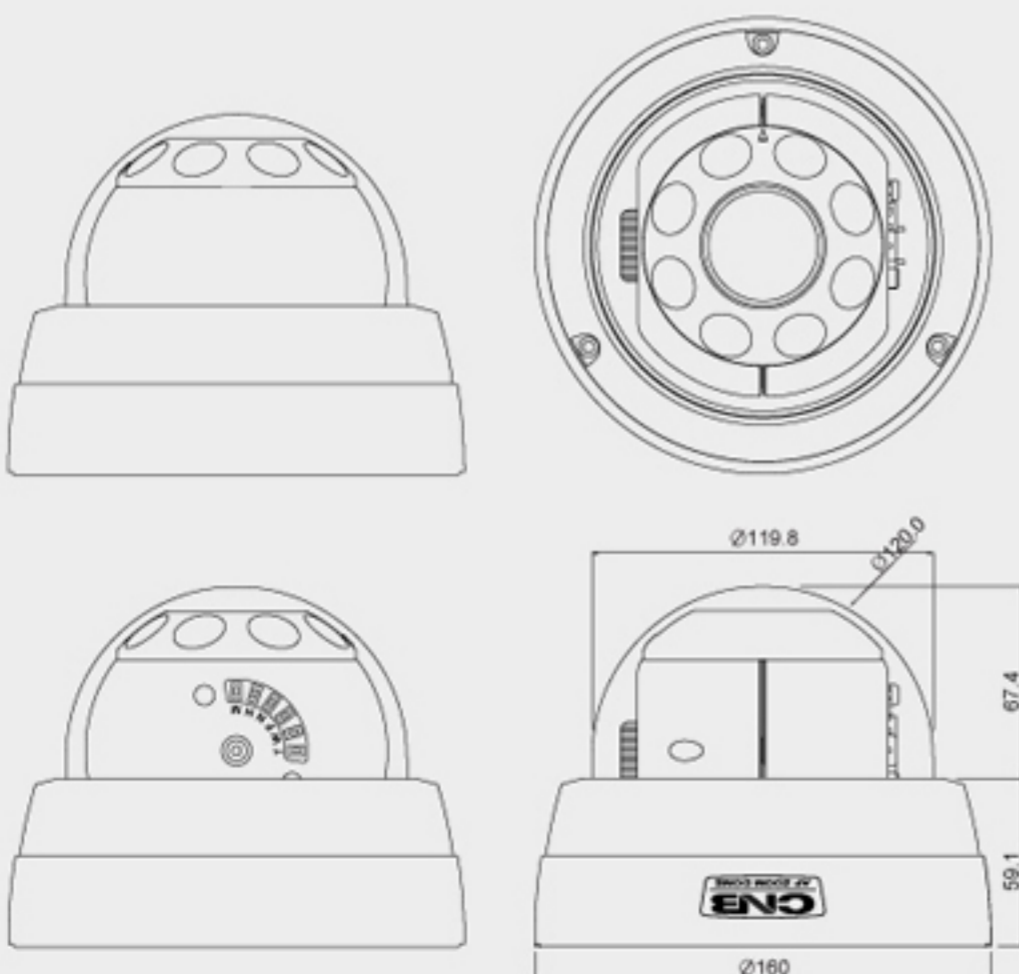


IRC200



WVZB100

DIMENSIONS



SPECIFICATIONS

Model	VZD207NL	VZD207PL
Signal System	NTSC	PAL
Scanning System	2:1 Interface	
Scanning Frequency (H)	15.734kHz	15.625kHz
Scanning Frequency (V)	59.94Hz	50Hz
Image Sensor	1/4" SONY Super HAD CCD	
Sync. System	Internal	
Total Pixels No.	811(H) x 508(V) 410K	795(H) x 596(V) 470K
Effective Pixels No.	768(H) x 494(V) 380K	752(H) x 582(V) 440K
Horizontal Resolution	480 TV Lines	
Video Output Level	1.0 Vp-p (75Ω, Composite)	
S/N Ratio	More than 48dB (AGC Off)	
Lens	22x Optical Zoom (F1.6, f=3.9-85.8mm) Video AF	
Digital Zoom Ratio	10x (Total Zoom Ratio : Max. 220x), 2x-10x Variable	
Day&Night Type	Electronic Sensitivity-up(DSS)	
Digital Slow Shutter	Off/2FLD-128FLD Mode	
Min. Illumination	0.1Lux (Day Mode), 0.001Lux (Night Mode)	
OSD	On/Off	
AGC	Auto/Manual(0-255)	
BLC, Flickerless	On/Off	
Motion Detection	On/Off (Center/Out/Upper/Whole)	
Sharpness Control	Manual (Up - Down)	
Brightness Control	Manual (Up - Down)	
Heater	Operation Temperature : Under 10°C	
Electronic Shutter Speed	1/60 - 1/10,000sec	1/50 - 1/10,000sec
Camera Control	RS-485 (Pelco-D) Interface, Key Button	
Supplied Voltage	24VAC(20V-28V) / 12VDC(11V-15V)	
Power Consumption	Max. 6W / 0.5A	
Dimensions	Ø120 x 126.5(H) mm	
Weight (Net)	Approx. 1.6kg	

VANDAL-RESISTANT DOME SELECTION GUIDE

* The lowercase "x" in the model name represents the "N"(NTSC type) or "P"(PAL type).

Model	Dome Size	Mount Type	Horizontal Resolution	Min. Illumination	S/N Ratio	Lens	Supplied Voltage	Day & Night	OSD	WDR
V2265xVF	100mm	Surface/Flush	480 TVL	0.0003Lux	48dB	f=2.9~10mm	24VAC/12VDC (Option :12VDC)	TDN, DSS	0	0
V2265xVD	100mm	Surface/Flush	480 TVL	0.0003Lux	48dB	f=4~9mm	24VAC/12VDC (Option :12VDC)	DSS	0	0
V2965xVD	100mm	Surface/Flush	530 TVL	0.0008Lux	50dB	f=4~9mm	24VAC/12VDC (Option :12VDC)	DSS	0	-
V2965x	100mm	Surface/Flush	530 TVL	0.0008Lux	50dB	Fixed	24VAC/12VDC (Option :12VDC)	DSS	0	-
V2815xVF	100mm	Surface/Flush	550 TVL	0.001Lux	50dB	f=2.9~10mm	24VAC/12VDC (Option :12VDC)	TDN, DSS	-	-
V2815xVD	100mm	Surface/Flush	550 TVL	0.001Lux	50dB	f=4~9mm	24VAC/12VDC (Option :12VDC)	DSS	-	-
V2815x	100mm	Surface/Flush	550 TVL	0.001Lux	50dB	Fixed	24VAC/12VDC (Option :12VDC)	DSS	-	-
V2315xVF	100mm	Surface/Flush	550 TVL	0.1Lux	48dB	f=2.9~10mm	24VAC/12VDC (Option :12VDC)	TDN	-	-
V2315xVD	100mm	Surface/Flush	550 TVL	0.3Lux	48dB	f=4~9mm	24VAC/12VDC (Option :12VDC)	-	-	-
V2315x	100mm	Surface/Flush	550 TVL	0.3Lux	48dB	Fixed	24VAC/12VDC (Option :12VDC)	-	-	-
V2415x	100mm	Surface/Flush	480 TVL	0.3Lux	48dB	f=4~9mm	24VAC/12VDC (Option :12VDC)	-	-	-
V2415x	100mm	Surface/Flush	480 TVL	0.3Lux	48dB	Fixed	24VAC/12VDC (Option :12VDC)	-	-	-
V1265xVF	100mm	Surface	480 TVL	0.0003Lux	48dB	f=2.9~10mm	24VAC/12VDC (Option :12VDC)	TDN, DSS	0	0
V1265xVD	100mm	Surface	480 TVL	0.0003Lux	48dB	f=4~9mm	24VAC/12VDC (Option :12VDC)	DSS	0	0
V1965xVD	100mm	Surface	530 TVL	0.0008Lux	50dB	f=4~9mm	24VAC/12VDC (Option :12VDC)	DSS	0	-
V1965x	100mm	Surface	530 TVL	0.0008Lux	50dB	Fixed	24VAC/12VDC (Option :12VDC)	DSS	0	-
V1815xVF	100mm	Surface	550 TVL	0.001Lux	50dB	f=2.9~10mm	24VAC/12VDC (Option :12VDC)	TDN, DSS	-	-
V1815xVD	100mm	Surface	550 TVL	0.001Lux	50dB	f=4~9mm	24VAC/12VDC (Option :12VDC)	DSS	-	-
V1315xVF	100mm	Surface	550 TVL	0.1Lux	48dB	f=2.9~10mm	24VAC/12VDC (Option :12VDC)	TDN	-	-
V1315xVD	100mm	Surface	550 TVL	0.1Lux	48dB	f=4~9mm	24VAC/12VDC (Option :12VDC)	-	-	-
V1315x	100mm	Surface	550 TVL	0.1Lux	48dB	Fixed	24VAC/12VDC (Option :12VDC)	-	-	-
V1415xVD	100mm	Surface	480 TVL	0.3Lux	48dB	f=4~9mm	24VAC/12VDC (Option :12VDC)	-	-	-
V1415x	100mm	Surface	480 TVL	0.3Lux	48dB	Fixed	24VAC/12VDC (Option :12VDC)	-	-	-
V3816xVF	85mm	Surface/Flush	550 TVL	0.001Lux	50dB	f=2.9~10mm	24VAC/12VDC (Option :12VDC)	TDN, DSS	-	-
V3816xVD	85mm	Surface/Flush	550 TVL	0.001Lux	50dB	f=4~9mm	24VAC/12VDC (Option :12VDC)	DSS	-	-
V3815xF	85mm	Surface	550 TVL	0.001Lux	50dB	Fixed	24VAC/12VDC (Option :12VDC)	DSS	-	-
V3815x	85mm	Surface	550 TVL	0.001Lux	50dB	Fixed	24VAC/12VDC (Option :12VDC)	DSS	-	-
V3710x	85mm	Surface	480 TVL	0.1Lux	48dB	Fixed	12VDC	-	-	-
V4710x	68mm	Surface	480 TVL	0.1Lux	48dB	Fixed	12VDC	-	-	-
V4711x	68mm	Flush	480 TVL	0.1Lux	48dB	Fixed	12VDC	-	-	-
V5710x	58mm	Surface	480 TVL	0.1Lux	48dB	Fixed	12VDC	-	-	-
V5711x	58mm	Flush	480 TVL	0.1Lux	48dB	Fixed	12VDC	-	-	-

V2265NVF / V2265PVF

Vandal-Resistant Dome V2 Series



FEATURES

- 1/3" SONY Double Scan CCD
- High Resolution : 480 TV Lines
- Built-in DC Iris Vari-focal Lens (f=2.9~10mm)
- TDN(ICR), 3x Digital Zoom (On/Off)
- Min. Illumination : 0.0003Lux(DSS On, B/W)
- OSD(On Screen Display), RS-485 Interface(Pelco-D)
- Wide Dynamic Range, Privacy Zone
- Electronic Sensitivity-up(DSS) (On/Off)
- Polycarbonate dome & die casting housing
- Extra Video Out Port for easy Installation
- 3-Axis Movement for Free Lens Rotation
- Dome Size 100mm, 24VAC/12VDC Dual Voltage
- Dual(Surface/Flush) Mount Type
- Built-in Heater (Option)

OPTIONAL MODEL

- V2260NVF/V2260PVF : TDN(ICR), 12VDC
- V2265NVD/V2265PVD : without TDN(ICR), 24VAC/12VDC
- V2260NVD/V2260PVD : without TDN(ICR), 12VDC

OPTIONAL ACCESSORY

- IRC100/IRC200 : Wireless Remote Controllers
- WDB100 : Wall Mounting Bracket



IRC100

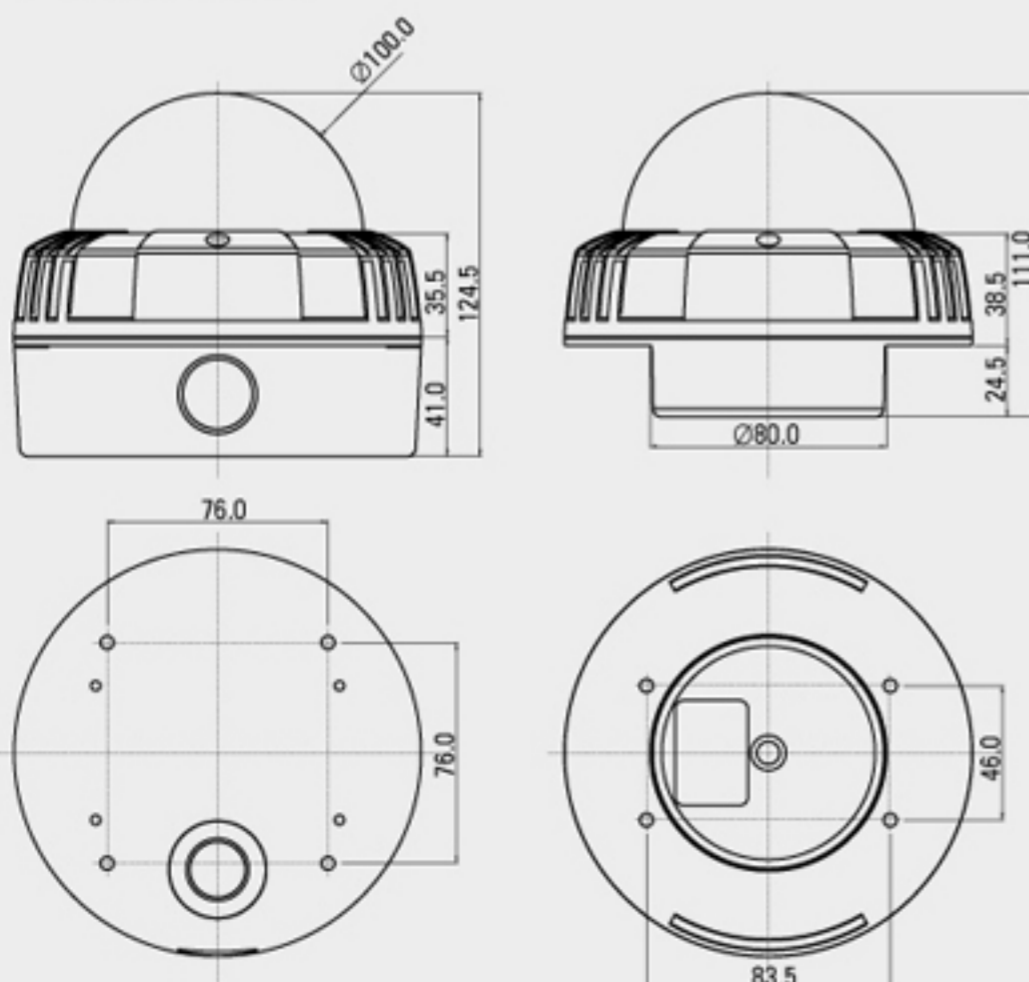


IRC200



WDB100

DIMENSIONS



SPECIFICATIONS

Model	V2265NVF	V2265PVF
Signal System	NTSC	PAL
Scanning System	2:1 Interface	
Scanning Frequency (H)	15.734kHz	15.625kHz
Scanning Frequency (V)	59.94Hz	50Hz
Image Sensor	1/3" SONY Double Scan CCD	
Sync. System	Internal	
Total Pixels No.	811(H) x 508(V) 410K	795(H) x 596(V) 470K
Effective Pixels No.	768(H) x 494(V) 380K	752(H) x 582(V) 440K
Horizontal Resolution	480 TV Lines	
Video Output Level	1.0 Vp-p (75 Ω , Composite)	
S/N Ratio	More than 48dB (AGC Off)	
Lens	DC Iris Vari-focal Lens (f=2.9-10mm, F1.2)	
Digital Zoom Ratio	3x Digital Zoom(On/Off)	
Day&Night Type	Electronic Sensitivity-up(DSS), ICR (AGC type)	
Digital Slow Shutter	Max. 160FLD(On/Off)	
Min. Illumination	0.1Lux (Color), 0.0003Lux (DSS On, B/W)	
OSD	On / Off	
AGC	Off / Low / Middle / High	
BLC, Flickerless	On / Off	
Wide Dynamic Range	On(0-15, Max. 60dB) / Off	
White Balance	AWB (AUTO / HOLD / USER)	
Privacy Zone	On / Off (4 Programmable Zone)	
Electronic Shutter Speed	1/60sec	1/50sec
Supplied Voltage	24VAC(20V-28V) / 12VDC(10V-15V)	
Power Consumption	Max. 10W / 500mA	
Camera Construction	3-Axis Movement for Free Lens Rotation	
Dimensions	$\varnothing 100$ x 124.5(H) mm	
Weight (Net)	Approx. 1210g	

V2965NVD / V2965PVD

Vandal-Resistant Dome V2 Series



FEATURES

- 1/3" SONY Super HAD CCD
- High Resolution : 530 TV Lines
- Built-in DC Iris Vari-focal Lens (f=4~9mm)
- Min. Illumination : 0.0008Lux (DSS on, B/W)
- OSD (On Screen Display), Privacy Zone
- Super Digital Noise Reduction (SDNR)
- Electronic Sensitivity-up(DSS) (On/Off)
- Polycarbonate dome & die casting housing
- Extra Video Out Port for easy Installation
- 3-Axis Movement for Free Lens Rotation
- Dome Size 100mm, 24VAC/12VDC Dual Voltage(Line-Lock)
- Dual(Surface/Flush) Mount Type
- Built-in Heater (Option)

OPTIONAL MODEL

- V2960NVD/V2960PVD : Built-in Vari-focal Lens (f=4~9mm), 12VDC
- V2965N/V2965P : Built-in Fixed Lens (f=3.8mm), 24VAC/12VDC
- V2960N/V2960P : Built-in Fixed Lens (f=3.8mm), 12VDC

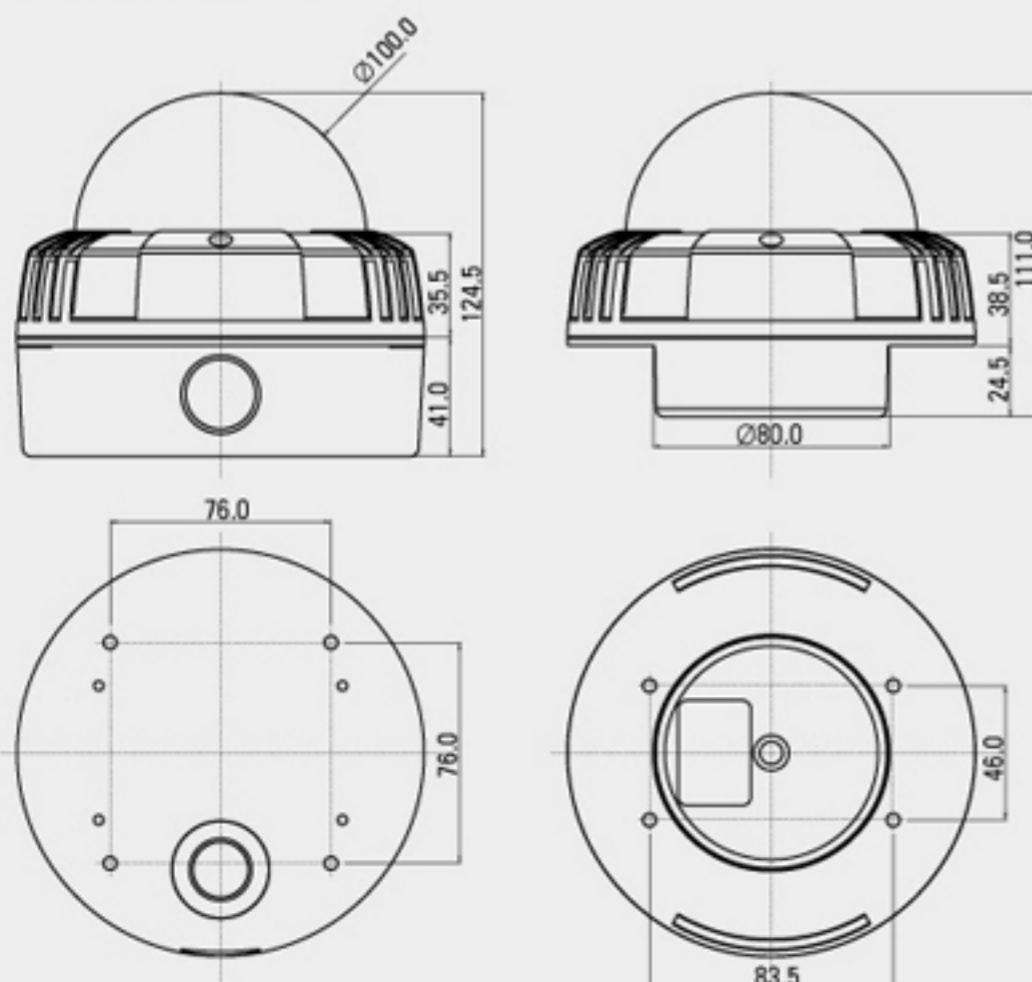
OPTIONAL ACCESSORY

- WDB100 : Wall Mounting Bracket



WDB100

DIMENSIONS



SPECIFICATIONS

Model	V2965NVD	V2965PVD
Signal System	NTSC	PAL
Scanning System	2:1 Interface	
Scanning Frequency (H)	15.734kHz	15.625kHz
Scanning Frequency (V)	59.94Hz	50Hz
Image Sensor	1/3" SONY Super HAD CCD	
Sync. System	Internal/External (Line-Lock)	
Total Pixels No.	811(H) x 508(V) 410K	795(H) x 596(V) 470K
Effective Pixels No.	768(H) x 494(V) 380K	752(H) x 582(V) 440K
Horizontal Resolution	530 TV Lines	
Video Output Level	1.0 Vp-p (75Ω, Composite)	
S/N Ratio	More than 48dB (AGC Off)	
Lens	DC Iris Vari-focal Lens (f=4~9mm, F1.5)	
Day&Night Type	Electronic Sensitivity-up(DSS)	
Digital Slow Shutter	Max. 128FLD(On/Off)	
Min. Illumination	0.1Lux (Color), 0.0008Lux (DSS on, B/W)	
Digital Noise Reduction	Off / Low / Middle / High	
OSD	On / Off	
AGC,BLC	Off / Low / Middle / High	
Flickerless	On / Off	
White Balance	ATW (1,800°K~10,500°K) / AWC / MANUAL	
Mirror Function	On / Off (Horizontal)	
Privacy Zone	On / Off (4 Programmable Zone)	
Motion Detection	On / Off (4 Programmable Zone)	
Sharpness Control	On / Off (Level Adjustable)	
Electronic Shutter Speed	1/60sec	1/50sec
Supplied Voltage	24VAC(20V~28V) / 12VDC(10V~15V)	
Power Consumption	Max. 4W / 330mA	
Camera Construction	3-Axis Movement for Free Lens Rotation	
Dimensions	Ø100 x 124.5(H) mm	
Weight (Net)	Approx. 1210g	

V2815NVF / V2815PVF

Vandal-Resistant Dome V2 Series



FEATURES

- 1/3" SONY Super HAD CCD
- Super High Resolution : 550 TV Lines
- Built-in DC Iris Vari-focal Lens (f=2.9~10mm)
- TDN (ICR), 2x Digital Zoom (On/Off)
- Min. Illumination : 0.001Lux(DSS On, B/W)
- Super Digital Noise Reduction (SDNR)
- Electronic Sensitivity-up(DSS) (On/Off)
- Polycarbonate dome & die casting housing
- Extra Video Out Port for Easy Installation
- 3-Axis Movement for Free Lens Rotation
- Dome Size 100mm, 24VAC/12VDC Dual Voltage
- Dual(Surface/Flush) Mount Type
- Built-in Heater (Option)

OPTIONAL MODEL

- V2810NVF/V2810PVF : TDN(ICR), 12VDC
- V2815NVD/V2815PVD : without TDN(ICR), Built-in DC Iris Vari-focal Lens (f=4~9mm), 24VAC/12VDC
- V2810NVD/V2810PVD : without TDN(ICR), Built-in DC Iris Vari-focal Lens (f=4~9mm), 12VDC
- V2815N/V2815P : without TDN(ICR), Built-in Fixed Lens (f=3.8mm), 24VAC/12VDC
- V2810N/V2810P : without TDN(ICR), Built-in Fixed Lens (f=3.8mm), 12VDC

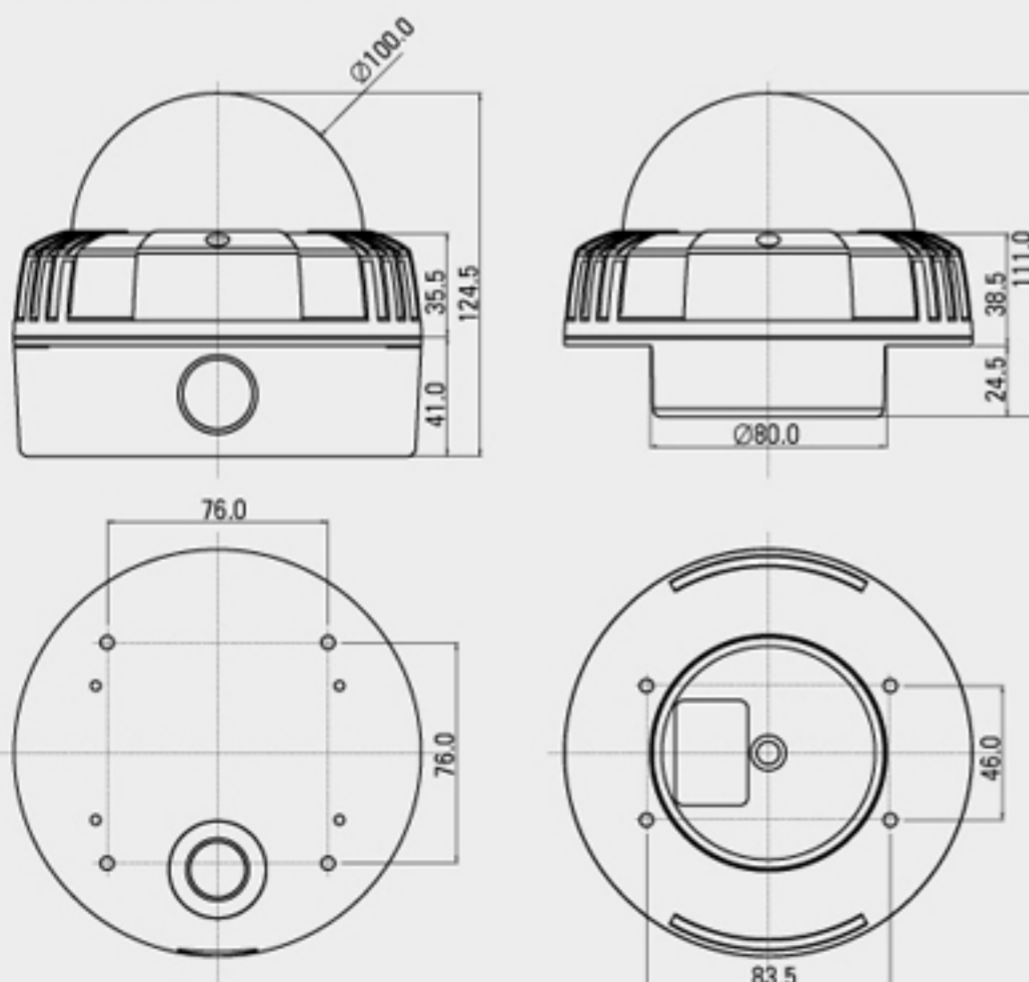
OPTIONAL ACCESSORY

- WDB100 : Wall Mounting Bracket



WDB100

DIMENSIONS



SPECIFICATIONS

Model	V2815NVF	V2815PVF
Signal System	NTSC	PAL
Scanning System	2:1 Interface	
Scanning Frequency (H)	15.734kHz	15.625kHz
Scanning Frequency (V)	59.94Hz	50Hz
Image Sensor	1/3" SONY Super HAD CCD	
Sync. System	Internal	
Total Pixels No.	811(H) x 508(V) 410K	795(H) x 596(V) 470K
Effective Pixels No.	768(H) x 494(V) 380K	752(H) x 582(V) 440K
Horizontal Resolution	550 TV Lines	
Video Output Level	1.0 Vp-p (75Ω, Composite)	
S/N Ratio	More than 50dB (AGC Off)	
Lens	DC Iris Vari-focal Lens (f=2.9~10mm, F1.2)	
Digital Zoom Ratio	2x Digital Zoom (On/Off)	
Day&Night Type	Electronic Sensitivity-up(DSS), ICR(AGC type)	
Digital Slow Shutter	Max. 32FLD (On/Off)	
Min. Illumination	0.1Lux (Color), 0.001Lux (DSS On, B/W)	
Digital Noise Reduction	Auto	
DIP SW Control(On/Off)	AGC, BLC, Flickerless, D.Zoom, DSS, D/N	
White Balance	Auto	
Electronic Shutter Speed	1/60sec	1/50sec
Supplied Voltage	24VAC(20V~28V) / 12VDC(10V~15V)	
Power Consumption	Max. 3W	
Camera Construction	3-Axis Movement for Free Lens Rotation	
Dimensions	Ø100 x 124.5(H) mm	
Weight (Net)	Approx. 1210g	

V2315NVF / V2315PVF

Vandal-Resistant Dome V2 Series



FEATURES

- 1/3" SONY Super HAD CCD
- Super High Resolution : 550 TV Lines
- Built-in DC Iris Vari-focal Lens (f=2.9~10mm)
- TDN(ICR)
- Min. Illumination : 0.1Lux (B/W)
- Polycarbonate dome & die casting housing
- Extra Video Out Port for Easy Installation
- 3-Axis Movement for Free Lens Rotation
- Dome Size 100mm, 24VAC/12VDC Dual Voltage
- Dual(Surface/Flush) Mount Type
- Audio Function Optional
- Built-in Heater (Option)

OPTIONAL MODEL

- V2310NVF/V2310PVF : TDN(ICR), 12VDC
- V2315NVD/V2315PVD : without TDN(ICR), 24VAC/12VDC
- V2310NVD/V2310PVD : without TDN(ICR), Built-in DC Iris Varifocal Lens (f=4~9mm), 12VDC
- V2315N/V2315P : without TDN(ICR), Built-in Fixed Lens (f=3.8mm)
- V2310N/V2310P : without TDN(ICR), Built-in Fixed Lens (f=3.8mm), 12VDC
- V2415NVD/V2415PVD : 480TVL, without TDN(ICR), Built-in DC Iris Varifocal Lens (f=4~9mm), 24VAC/12VDC
- V2410NVD/V2410PVD : 480TVL, TDN(ICR), Built-in DC Iris Varifocal Lens (f=4~9mm), 12VDC
- V2415N/V2415P : 480TVL, without TDR(ICR), Built-in Fixed Lens (f=3.8mm), 24VAC/12VDC
- V2410N/V2410P : 480TVL, without TDR(ICR), Built-in Fixed Lens (f=3.8mm), 12VDC

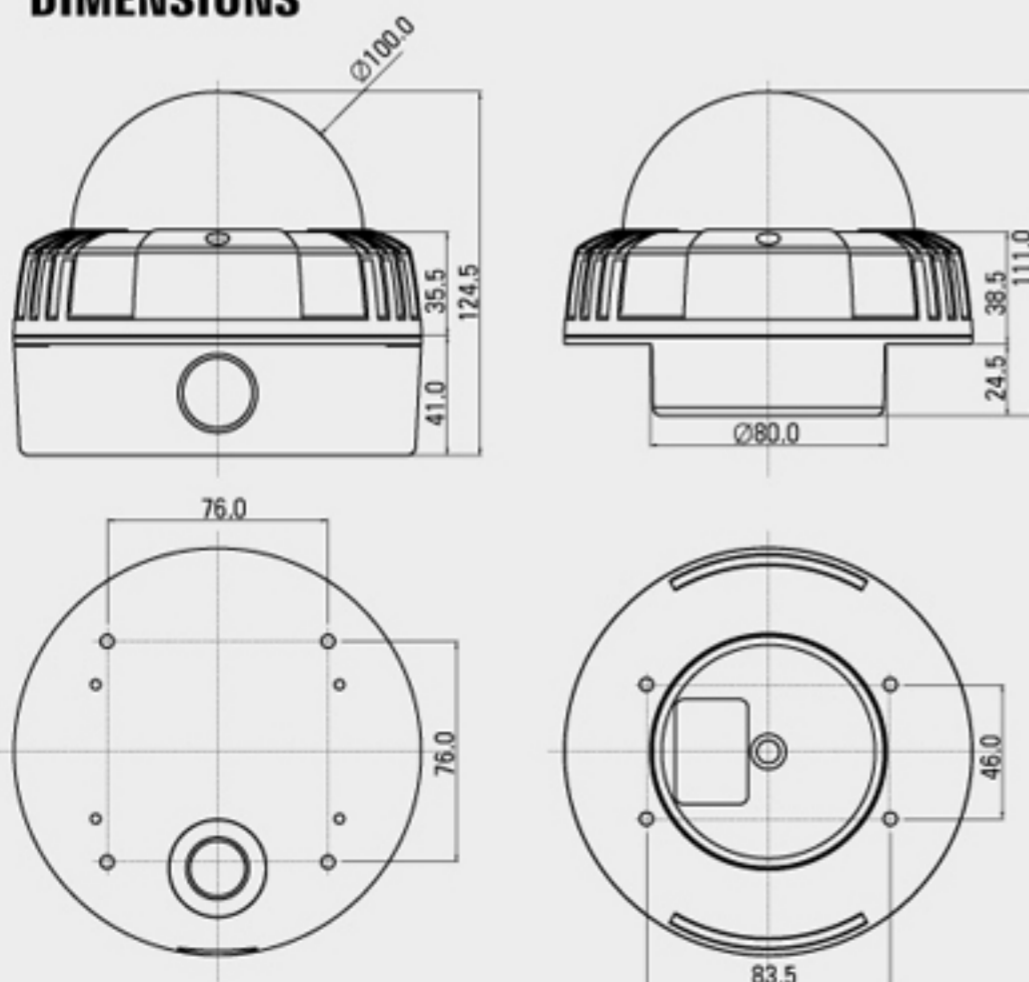
OPTIONAL ACCESSORY

- WDB100 : Wall Mounting Bracket



WDB100

DIMENSIONS



SPECIFICATIONS

Model	V2315NVF	V2315PVF
Signal System	NTSC	PAL
Scanning System	2:1 Interface	
Scanning Frequency (H)	15.734kHz	15.625kHz
Scanning Frequency (V)	59.94Hz	50Hz
Image Sensor	1/3" SONY Super HAD CCD	
Sync. System	Internal	
Total Pixels No.	811(H) x 508(V) 410K	795(H) x 596(V) 470K
Effective Pixels No.	768(H) x 494(V) 380K	752(H) x 582(V) 440K
Horizontal Resolution	550 TV Lines	
Video Output Level	1.0 Vp-p (75Ω, Composite)	
S/N Ratio	More than 48dB (AGC Off)	
Lens	DC Iris Vari-focal Lens (f=2.9~10mm, F1.2)	
Day&Night Type	ICR(AGC type)	
Min. Illumination	0.3Lux (Color), 0.1Lux (B/W)	
DIP SW Control(On/Off)	AGC, BLC, Flickerless	
White Balance	Auto	
Electronic Shutter Speed	1/60 sec	1/50sec
Supplied Voltage	24VAC(20V~28V) / 12VDC(10V~15V)	
Power Consumption	Max. 5W	
Camera Construction	3-Axis Movement for Free Lens Rotation	
Dimensions	Ø100 x 124.5(H) mm	
Weight (Net)	Approx. 1210g	

V1265NVF / V1265PVF



FEATURES

- 1/3" SONY Double Scan CCD
- High Resolution : 480 TV Lines
- Built-in DC Iris Vari-focal Lens (f=2.9~10mm)
- TDN(ICR), 3x Digital Zoom (On/Off)
- Min. Illumination : 0.0003Lux (DSS On, B/W)
- OSD(On Screen Display), RS-485 Interface(Pelco-D)
- Wide Dynamic Range, Privacy Zone
- Electronic Sensitivity-up(DSS) (On/Off)
- Polycarbonate dome & die casting housing
- Extra Video Out Port for Easy Installation
- 3-Axis Movement for Free Lens Rotation
- Dome Size 100mm, 24VAC/12VDC Dual Voltage
- Built-in Heater (Option)

OPTIONAL MODEL

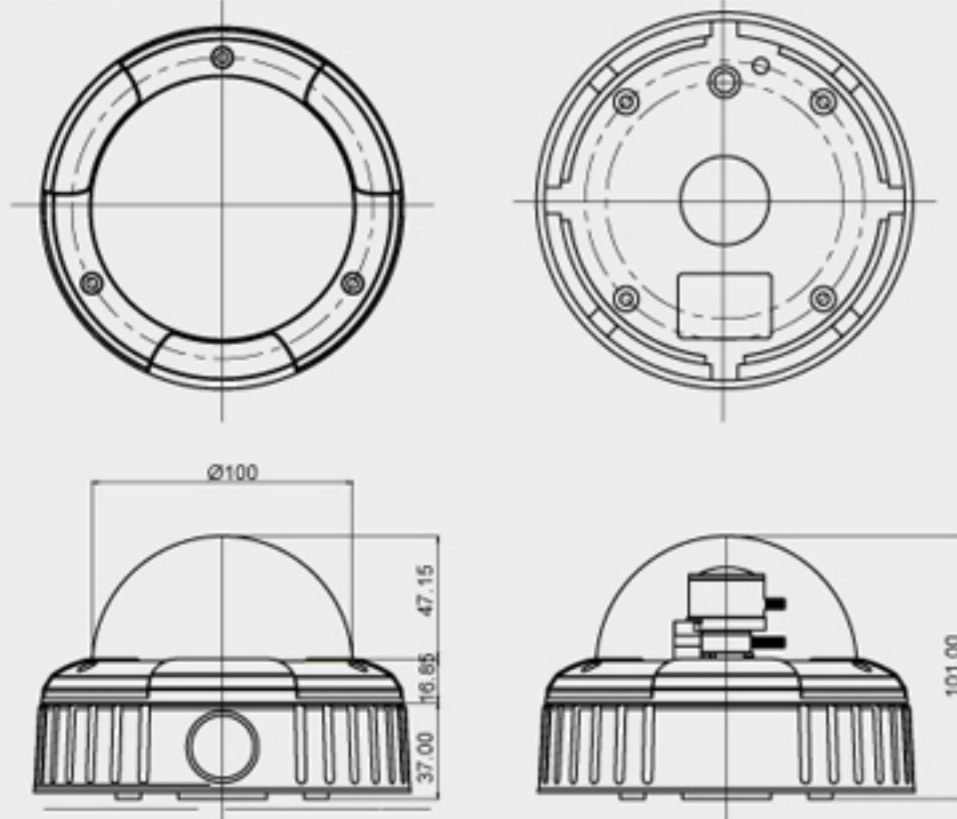
- V1260NVF/V1260PVF : TDN(ICR), 12VDC
- V1265NVD/V1265PVD : without TDN(ICR), Built-in DC Iris Vari-focal Lens (f=4~9mm), 24VAC/12VDC
- V1260NVD/V1260PVD : without TDN(ICR), Built-in DC Iris Vari-focal Lens (f=4~9mm), 12VDC

OPTIONAL ACCESSORY

- IRC100/IRC200 : Wireless Remote Controllers
- WDB100 : Wall Mounting Bracket



DIMENSIONS



SPECIFICATIONS

Model	V1265NVF	V1265PVF
Signal System	NTSC	PAL
Scanning System	2:1 Interface	
Scanning Frequency (H)	15.734kHz	15.625kHz
Scanning Frequency (V)	59.94Hz	50Hz
Image Sensor	1/3" SONY Duple Scan CCD	
Sync. System	Internal	
Total Pixels No.	811(H) x 508(V) 410K	795(H) x 596(V) 470K
Effective Pixels No.	768(H) x 494(V) 380K	752(H) x 582(V) 440K
Horizontal Resolution	480 TV Lines	
Video Output Level	1.0 Vp-p (75Ω, Composite)	
S/N Ratio	More than 48dB (AGC Off)	
Lens	DC Iris Vari-focal Lens (f=2.9-10mm, F1.2)	
Digital Zoom Ratio	3x Digital Zoom(On/Off)	
Day&Night Type	Electronic Sensitivity-up(DSS), ICR(AGC type)	
Digital Slow Shutter	Max. 160FLD (On/Off)	
Min. Illumination	0.1Lux (Color), 0.0003Lux (DSS On, B/W)	
OSD	On / Off	
AGC	Off / Low / Middle / High	
BLC, Flickerless	On / Off	
Wide Dynamic Range	On(0-15, Max. 60dB) / Off	
White Balance	AWB (AUTO / HOLD / USER)	
Privacy Zone	On / Off (4 Programmable Zone)	
Electronic Shutter Speed	1/60sec	1/50sec
Supplied Voltage	24VAC(20V-28V) / 12VDC(10V-15V)	
Power Consumption	Max. 10W / 500mA	
Camera Construction	3-Axis Movement for Free Lens Rotation	
Dimensions	Ø100 x 101(H) mm	
Weight (Net)	Approx. 844g	

V1965NVD / V1965PVD

Vandal-Resistant Dome V1 Series



FEATURES

- 1/3" SONY Super HAD CCD
- High Resolution : 530 TV Lines
- Built-in DC Iris Vari-focal Lens (f=4~9mm)
- Min. Illumination : 0.0008Lux (DSS On, B/W)
- OSD(On Screen Display), Privacy Zone
- Super Digital Noise Reduction(SDNR)
- Electronic Sensitivity-up(DSS) (On/Off)
- Polycarbonate dome & die casting housing
- Extra Video Out Port for Easy Installation
- 3-Axis Movement for Free Lens Rotation
- Dome Size 100mm, 24VAC/12VDC Dual Voltage(Line-Lock)
- Built-in Heater (Option)

OPTIONAL MODEL

- V1960NVD/V1960PVD : Built-in DC Iris Varifocal Lens (f=4~9mm), 12VDC
- V1965N/V1965P : Built-in Fixed Lens (f=3.8mm), 24VAC/12VDC
- V1960N/V1960P : Built-in Fixed Lens (f=3.8mm), 12VDC

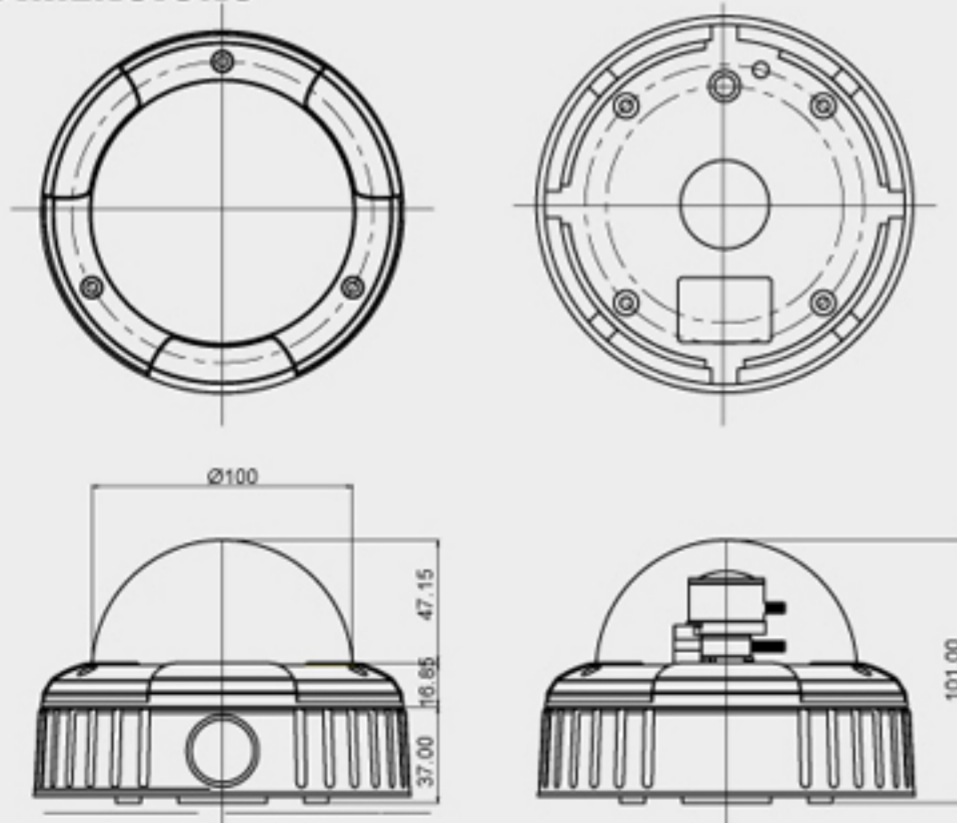
OPTIONAL ACCESSORY

- WDB100 : Wall Mounting Bracket



WDB100

DIMENSIONS



SPECIFICATIONS

Model	V1965NVD	V1965PVD
Signal System	NTSC	PAL
Scanning System	2:1 Interface	
Scanning Frequency (H)	15.734kHz	15.625kHz
Scanning Frequency (V)	59.94Hz	50Hz
Image Sensor	1/3" SONY Super HAD CCD	
Sync. System	Internal/External (Line-Lock)	
Total Pixels No.	811(H) x 508(V) 410K	795(H) x 596(V) 470K
Effective Pixels No.	768(H) x 494(V) 380K	752(H) x 582(V) 440K
Horizontal Resolution	530 TV Lines	
Video Output Level	1.0 Vp-p (75Ω, Composite)	
S/N Ratio	More than 48dB (AGC Off)	
Lens	DC Iris Vari-focal Lens (f=4~9mm, F1.5)	
Day&Night Type	Electronic Sensitivity-up(DSS)	
Digital Slow Shutter	Max. 128FLD (On/Off)	
Min. Illumination	0.1Lux (Color), 0.0008Lux (DSS On, B/W)	
Digital Noise Reduction	Off / Low / Middle / High	
OSD	On / Off	
AGC, BLC	Off / Low / Middle / High	
Flickerless	On / Off	
White Balance	ATW (1,800°K~10,500°K) / AWC / MANUAL	
Mirror Function	On / Off (Horizontal)	
Privacy Zone	On / Off (4 Programmable Zone)	
Motion Detection	On / Off (4 Programmable Zone)	
Sharpness Control	On / Off (Level Adjustable)	
Electronic Shutter Speed	1/60sec	1/50sec
Supplied Voltage	24VAC(20V~28V) / 12VDC(10V~15V)	
Power Consumption	Max. 4W / 330mA	
Camera Construction	3-Axis Movement for Free Lens Rotation	
Dimensions	Ø100 x 101(H) mm	
Weight (Net)	Approx. 844g	



FEATURES

- 1/3" SONY Super HAD CCD
- Super High Resolution : 550 TV Lines
- Built-in DC Iris Vari-focal Lens (f=2.9~10mm)
- TDN (ICR), 2x Digital Zoom (On/Off)
- Min. Illumination: 0.001Lux (DSS On, B/W)
- Super Digital Noise Reduction (SDNR)
- Electronic Sensitivity-up(DSS) (On/Off)
- Polycarbonate dome & die casting housing
- Extra Video Out Port for Easy Installation
- 3-Axis Movement for Free Lens Rotation
- Dome Size 100mm, 24VAC/12VDC Dual Voltage
- Built-in Heater (Option)

OPTIONAL MODEL

- **V1810NVF/V1810PVF** : TDN(ICR), 12VDC
- **V1815NVD/V1815PVD**
: without TDN(ICR), Built-in DC Iris Vari-focal Lens (f=4~9mm), 24VAC/12VDC
- **V1810NVD/V1810PVD**
: without TDN(ICR), Built-in DC Iris Vari-focal Lens (f=4~9mm), 12VDC
- **V1815N/V1815P**
: without TDN(ICR), Built-in Fixed Lens (f=3.8mm), 24VAC/12VDC
- **V1810N/V1810P** : without TDN(ICR), Built-in Fixed Lens (f=3.8mm), 12VDC

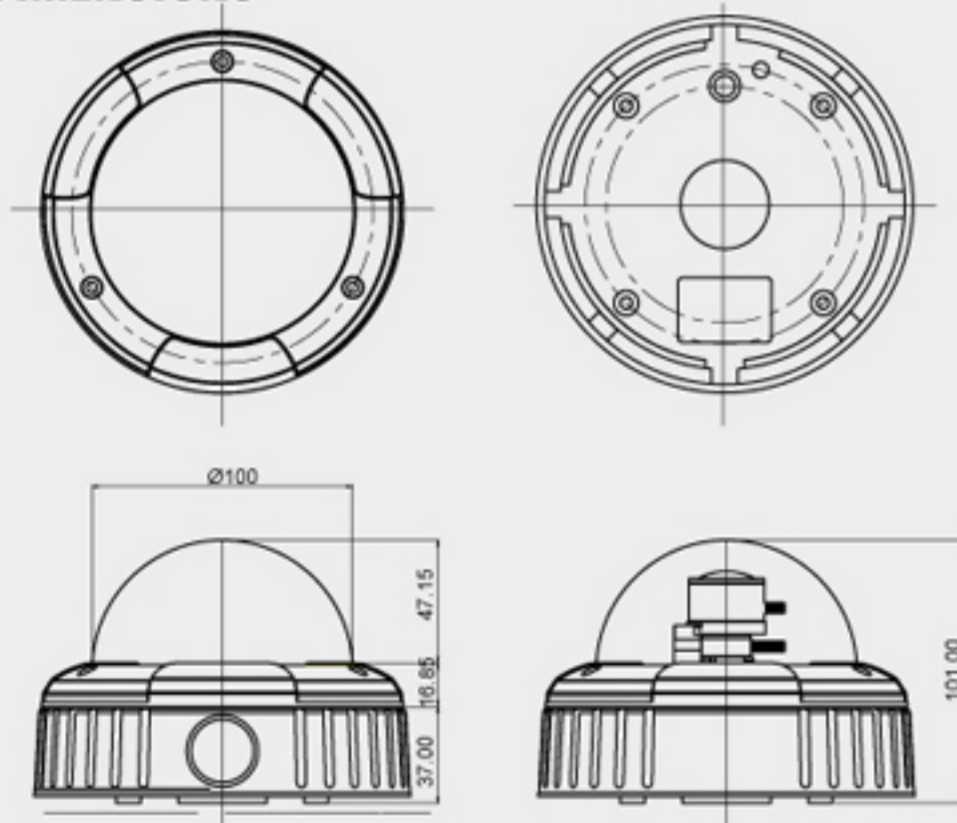
OPTIONAL ACCESSORY

- **WDB100** : Wall Mounting Bracket



WDB100

DIMENSIONS



SPECIFICATIONS

Model	V1815NVF	V1815PVF
Signal System	NTSC : 525 Lines	PAL : 525 Lines
Scanning System	2:1 Interlace	
Scanning Frequency (H)	15.734kHz	15.625kHz
Scanning Frequency (V)	59.94Hz	50Hz
Image Sensor	Internal	
Sync. System	1/3" SONY Super HAD CCD	
Total Pixels No.	811(H) x 508(V) 410K	795(H) x 596(V) 470K
Effective Pixels No.	768(H) x 494(V) 380K	752(H) x 582(V) 440K
Horizontal Resolution	550 TV Lines	
Video Output Level	1.0 Vp-p (75Ω, Composite)	
S/N Ratio	More than 50dB (AGC Off)	
Lens	DC Iris Vari-focal Lens (f=2.9~10mm, F1.2)	
Digital Zoom Ratio	2x Digital Zoom (On/Off)	
Day&Night Type	Electronic Sensitivity-up(DSS), ICR(AGC type)	
Digital Slow Shutter	Max. 32FLD (On/Off)	
Min. Illumination	0.1Lux (Color), 0.001Lux (DSS On, B/W)	
Digital Noise Reduction	Auto	
DIP SW Control(On/Off)	AGC, BLC, Flickerless, D.Zoom, DSS, D/N	
White Balance	Auto	
Electronic Shutter Speed	1/60sec	1/50sec
Supplied Voltage	24VAC(20V~28V) / 12VDC(10V~15V)	
Power Consumption	Max. 3W	
Camera Construction	3-Axis Movement for Free Lens Rotation	
Dimensions	Ø100 x 101(H) mm	
Weight (Net)	Approx. 844g	

V1315NVF / V1315PVF

Vandal-Resistant Dome V1 Series



FEATURES

- 1/3" SONY Super HAD CCD
- Super High Resolution : 550 TV Lines
- Built-in DC Iris Vari-focal Lens (f=2.9~10mm)
- TDN(ICR)
- Min. Illumination : 0.1Lux (B/W)
- Polycarbonate dome & die casting housing
- Extra Video Out Port for Easy Installation
- 3-Axis Movement for Free Lens Rotation
- Dome Size 100mm, 24VAC/12VDC Dual Voltage
- Built-in Heater(Optional)

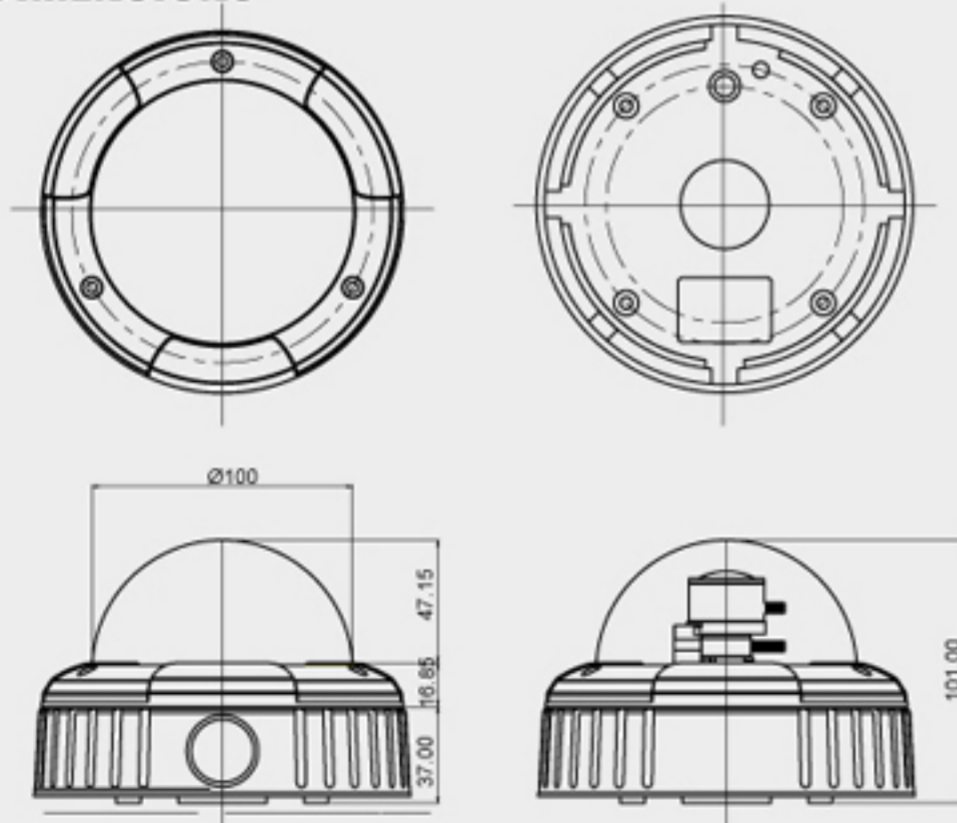
OPTIONAL MODEL

- **V1310NVF/V1310PVF** : TDN(ICR), 12VDC
- **V1315NVD/V1315PVD**
: without TDN(ICR), Built-in DC Iris Vari-focal Lens (f=4~9mm), 24VAC/12VDC
- **V1310NVD/V1310PVD**
: without TDN(ICR), Built-in DC Iris Vari-focal Lens (f=4~9mm), 12VDC
- **V1315N/V1315P**
: without TDN(ICR), Built-in Fixed Lens (f=3.8mm), 24VAC/12VDC
- **V1310N/V1310P**
: without TDN(ICR), Built-in Fixed Lens (f=3.8mm), 12VDC
- **V1415NVD/V1415PVD**
: 480TVL, without TDN(ICR), Built-in DC Iris Vari-focal Lens (f=4~9mm), 24VAC/12VDC
- **V1410NVD/V1410PVD**
: 480TVL, without TDN(ICR), Built-in DC Iris Vari-focal Lens (f=4~9mm), 12VDC
- **V1415N/V1415P**
: 480TVL, without TDN(ICR), Built-in Fixed Lens (f=3.8mm), 24VAC/12VDC
- **V1410N/V1410P**
: 480TVL, without TDN(ICR), Built-in Fixed Lens (f=3.8mm), 12VDC

OPTIONAL ACCESSORY

- **WDB100** : Wall Mounting Bracket

DIMENSIONS



SPECIFICATIONS

Model	V1315NVF	V1315PVF
Signal System	NTSC	PAL
Scanning System	2:1 Interface	
Scanning Frequency (H)	15.734kHz	15.625kHz
Scanning Frequency (V)	59.94Hz	50Hz
Image Sensor	1/3" SONY Super HAD CCD	
Sync. System	Internal	
Total Pixels No.	811(H) x 508(V) 410K	795(H) x 596(V) 470K
Effective Pixels No.	768(H) x 494(V) 380K	752(H) x 582(V) 440K
Horizontal Resolution	550 TV Lines	
Video Output Level	1.0 Vp-p (75Ω, Composite)	
S/N Ratio	More than 48dB (AGC Off)	
Lens	DC Iris Vari-focal Lens (f=2.9-10mm, F1.2)	
Day&Night Type	ICR(AGC type)	
Min. Illumination	0.3Lux (Color), 0.1Lux (B/W)	
DIP SW Control(On/Off)	AGC, BLC, Flickerless	
White Balance	Auto	
Electronic Shutter Speed	1/60sec	1/50sec
Supplied Voltage	4VAC(20V~28V) / 12VDC(10V~15V)	
Power Consumption	Max. 5W	
Camera Construction	3-Axis Movement for Free Lens Rotation	
Dimensions	∅100 x 101(H) mm	
Weight (Net)	Approx. 844g	

V3816NVF / V3816PVF

Vandal-Resistant Dome V3 Series



FEATURES

- 1/3" SONY Super HAD CCD
- Super High Resolution : 550 TV Lines
- Built-in DC Iris Vari-focal Lens (f=2.9~10mm)
- TDN(ICR), 2x Digital Zoom (On/Off)
- Min. Illumination : 0.001Lux (DSS On, B/W)
- Super Digital Noise Reduction(SDNR)
- Electronic Sensitivity-up(DSS) (On/Off)
- Polycarbonate dome & die casting housing
- Extra Video Out Port for Easy Installation
- 3-Axis Movement for Free Lens Rotation
- Dome Size 85mm,24VAC/12VDC Dual Voltage
- Dual(Surface/Flush) Mount Type

OPTIONAL MODEL

Dual Mount Type (Surface/Flush)

- V3816NVD/V3816PVD

: without TDN(ICR), Built-in Vari-focal Lens(f=4~9mm),3-Axis, 24VAC/12VDC

- V3811NVF/V3811PVF : without TDN(ICR),3-Axis,12VDC

- V3811NVD/V3811PVD

: without TDN(ICR), 3-Axis, Built-in Vari-focal Lens(f=4~9mm),12VDC

Surface Mount Type

- V3815NF/V3815PF

: TDN(ICR), Built-in Fixed Lens (f=3.8mm), 2-Axis, 24VAC/12VDC

- V3810NF/V3810PF

: TDN(ICR), Built-in Fixed Lens (f=3.8mm), 2-Axis,12VDC

- V3815N/V3815P

: without TDN(ICR), Built-in Fixed Lens (f=3.8mm), 2-Axis, 24VAC/12VDC

- V3810N/V3810P

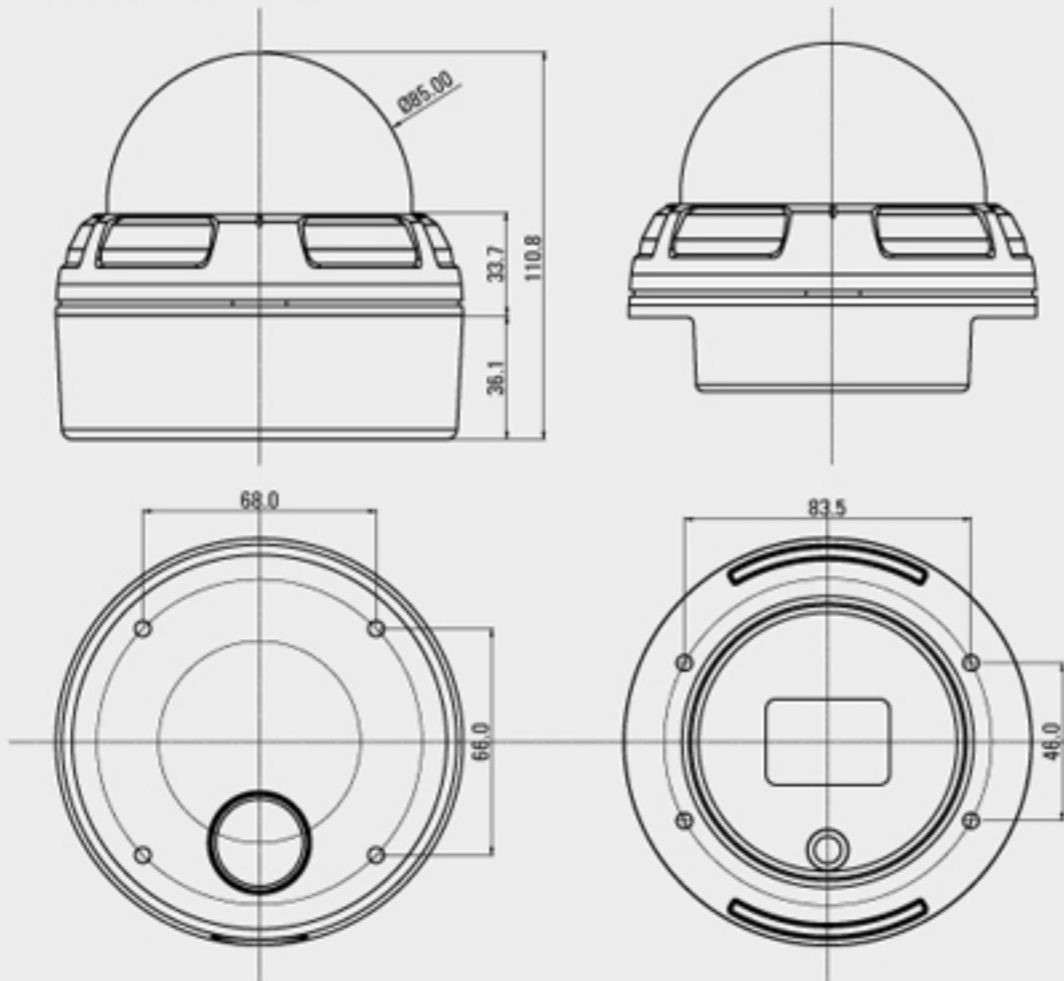
: without TDN(ICR), Built-in Fixed Lens (f=3.8mm), 2-Axis,12VDC

- V3710N/V3710P : 480TVL, without (SDNR, TDN(ICR),DSS),
Built-in Fixed Lens (f=3.8mm), 3-Axis, 12VDC



Surface Mount Type

DIMENSIONS



SPECIFICATIONS

Model	V3816NVF	V3816PVF
Signal System	NTSC : 525 Lines	PAL : 525 Lines
Scanning System	2:1 Interlace	
Scanning Frequency (H)	15.734kHz	15.625kHz
Scanning Frequency (V)	59.94Hz	50Hz
Image Sensor	Internal	
Sync. System	1/3" SONY Super HAD CCD	
Total Pixels No.	811(H) x 508(V) 410K	795(H) x 596(V) 470K
Effective Pixels No.	768(H) x 494(V) 380K	752(H) x 582(V) 440K
Horizontal Resolution	550 TV Lines	
Video Output Level	1.0 Vp-p (75Ω, Composite)	
S/N Ratio	More than 50dB (AGC Off)	
Lens	DC Iris Vari-focal Lens (f=2.9~10mm, F1.2)	
Digital Zoom Ratio	2x Digital Zoom (On/Off)	
Day&Night Type	Electronic Sensitivity-up(DSS), ICR(AGC type)	
Digital Slow Shutter	Max. 32FLD (On/Off)	
Min. Illumination	0.1Lux (Color), 0.001Lux (DSS On, B/W)	
Digital Noise Reduction	Auto	
DIP SW Control(On/Off)	BLC, Flickerless, DSS	
White Balance	Auto	
Electronic Shutter Speed	1/60sec	1/50sec
Supplied Voltage	24VAC(20V~28V) / 12VDC(10V~15V)	
Power Consumption	Max. 3W	
Camera Construction	3-Axis Movement for Free Lens Rotation	
Dimensions	Ø85 x 110.8(H) mm	
Weight (Net)	Approx. 816g	

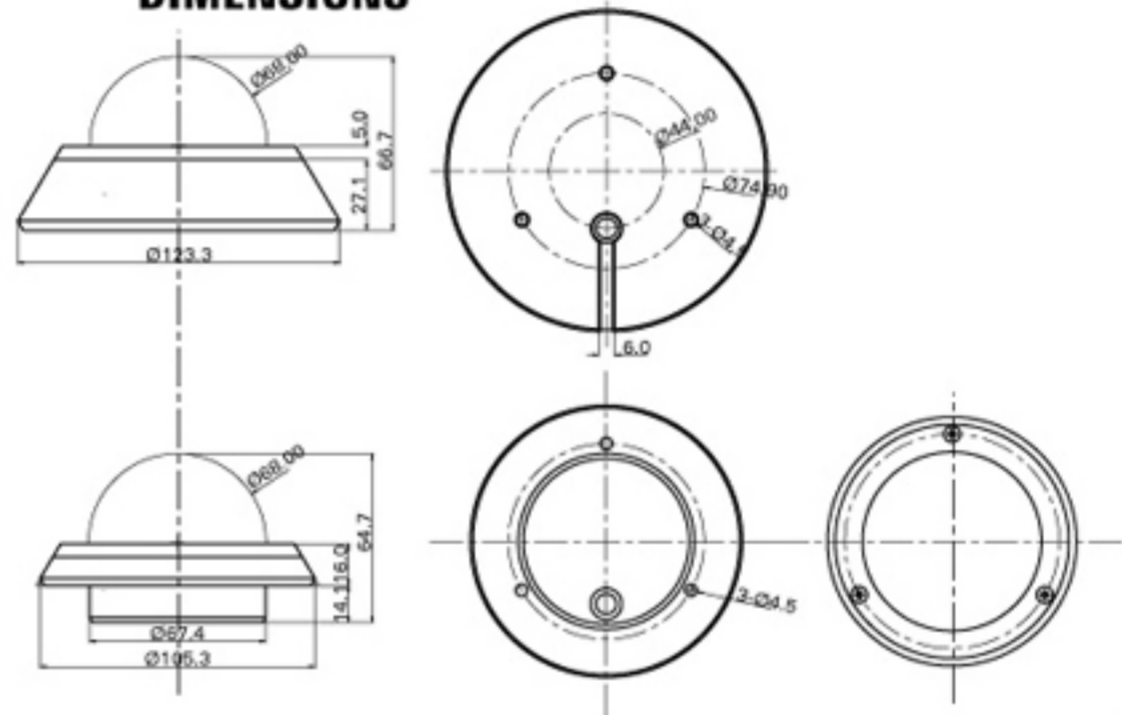
V4710N/V4710P



FEATURES

- 1/3" SONY Super HAD CCD
- High Resolution : 480 TV Lines
- Built-in Fixed Lens
- Auto White Balance (AWB)
- Auto Gain Control (AGC)
- Polycarbonate dome & Aluminium housing
- Dome Size 68mm, 12VDC
- Surface Mount (V4710N/V4710P)
- Flush Mount (V4711N/V4711P)

DIMENSIONS



V4711N/V4711P



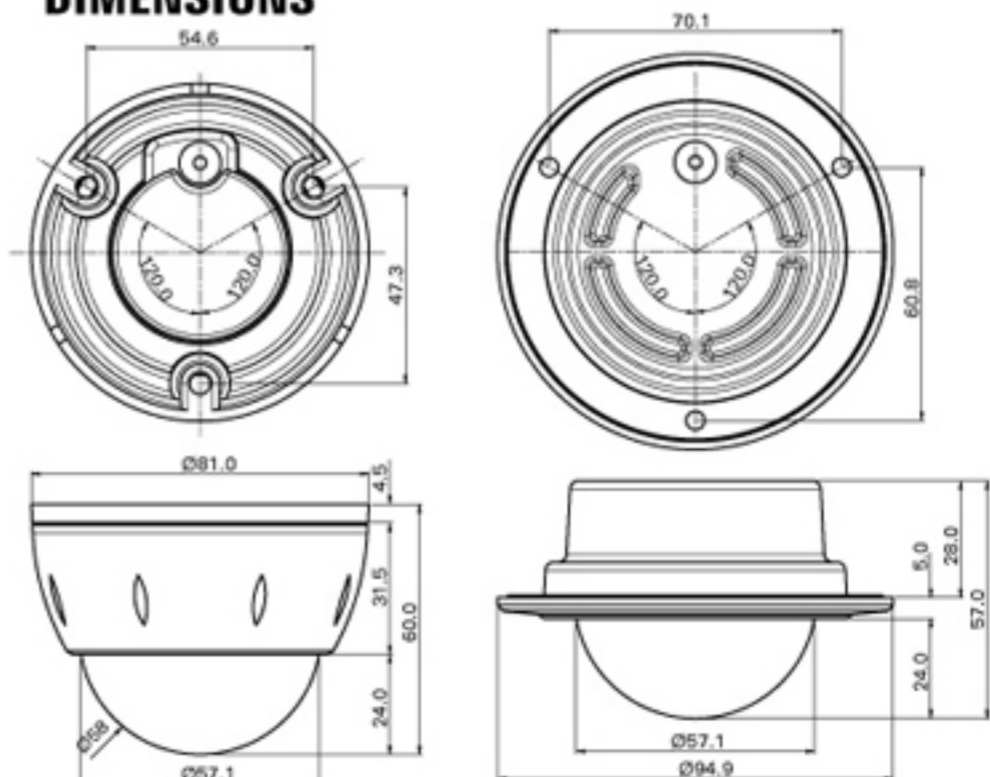
V5710N/V5710P



FEATURES

- 1/3" SONY Super HAD CCD
- High Resolution : 480 TV Lines
- Built-in Fixed Lens
- Auto White Balance (AWB)
- Auto Gain Control (AGC)
- Polycarbonate dome & Aluminum housing
- Dome Size 58mm, 12VDC
- Surface Mount (V5710N/V5710P)
- Flush Mount (V5711N/V5711P)

DIMENSIONS



V5711N/V5711P



GENERAL DOME SELECTION GUIDE

* The lowercase "x" in the model name represents the "N"(NTSC type) or "P"(PAL type).

Model	Dome Size	Horizontal Resolution	Min. Illumination	S/N Ratio	Lens	Supplied Voltage	Day&Night	OSD	WDR
D2265xVF	100mm	480 TVL	0.0003Lux	48dB	f=2.9~10mm	24VAC/12VDC (Option :12VDC)	TDN, DSS	0	0
D2265xVD	100mm	480 TVL	0.0003Lux	48dB	f=4~9mm	24VAC/12VDC (Option :12VDC)	DSS	0	0
D2965xVD	100mm	530 TVL	0.0008Lux	50dB	f=4~9mm	24VAC/12VDC (Option :12VDC)	DSS	0	-
D2965x	100mm	530 TVL	0.0008Lux	50dB	Fixed	24VAC/12VDC (Option :12VDC)	DSS	0	-
D2815xVF	100mm	550 TVL	0.001Lux	50dB	f=2.9~10mm	24VAC/12VDC (Option :12VDC)	TDN, DSS	-	-
D2815xVD	100mm	550 TVL	0.001Lux	50dB	f=4~9mm	24VAC/12VDC (Option :12VDC)	DSS	-	-
D2815x	100mm	550 TVL	0.001Lux	50dB	Fixed	24VAC/12VDC (Option :12VDC)	DSS	-	-
D2315xVF	100mm	550 TVL	0.1Lux	48dB	f=2.9~10mm	24VAC/12VDC (Option :12VDC)	TDN	-	-
D2315xVD	100mm	550 TVL	0.1Lux	48dB	f=4~9mm	24VAC/12VDC (Option :12VDC)	-	-	-
D2315x	100mm	550 TVL	0.1Lux	48dB	Fixed	24VAC/12VDC (Option :12VDC)	-	-	-
D2415xVD	100mm	480 TVL	0.3Lux	48dB	f=4~9mm	24VAC/12VDC (Option :12VDC)	-	-	-
D2415x	100mm	480 TVL	0.3Lux	48dB	Fixed	24VAC/12VDC (Option :12VDC)	-	-	-
D2005xVD	100mm	380 TVL	0.1Lux	48dB	f=4~9mm	24VAC/12VDC (Option :12VDC)	-	-	-
D2005x	100mm	380 TVL	0.1Lux	48dB	Fixed	24VAC/12VDC (Option :12VDC)	-	-	-
D1310xDNF	85mm	550 TVL	0.1Lux	48dB	Fixed	12VDC	IR Pass Filter	-	-
D1310x	85mm	550 TVL	0.3Lux	48dB	Fixed	12VDC	-	-	-
D1000xDNF	85mm	380 TVL	0.05Lux	48dB	Fixed	12VDC	IR Pass Filter	-	-
D1715xDNF	85mm	480 TVL	0.1Lux	48dB	Fixed	24VAC/12VDC (Option :12VDC)	IR Pass Filter	-	-
D1705x	85mm	380 TVL	0.1Lux	48dB	Fixed	24VAC/12VDC (Option :12VDC)	-	-	-
D1700xDNF	85mm	380 TVL	0.05Lux	48dB	Fixed	12VDC	IR Pass Filter	-	-
D1010xB*	85mm	580 TVL	0.003Lux	46dB	Fixed	12VDC	-	-	-
D1811xVF	85mm	550 TVL	0.001Lux	50dB	f=2.9~10mm	12VDC	TDN, DSS	-	-
D1811xVD	85mm	550 TVL	0.001Lux	50dB	f=4~9mm	12VDC	DSS	-	-
D3710x	85mm	480 TVL	0.3Lux	48dB	Fixed	12VDC	-	-	-
D3700x	85mm	380 TVL	0.1Lux	48dB	Fixed	12VDC	-	-	-
SDx330VD	85mm	550 TVL	0.3Lux	48dB	f=4~9mm	12VDC	-	-	-
SDx330	85mm	550 TVL	0.3Lux	48dB	Fixed	12VDC	-	-	-
SDx258	68mm	380 TVL	0.1Lux	48dB	Fixed	12VDC	-	-	-

* Models D1010NB/D1010PB are Monochrome Camera

D2265NVF / D2265PVF



FEATURES

- 1/3" SONY Double Scan CCD
- High Resolution : 480 TV Lines
- Built-in DC Iris Vari-focal Lens (f=2.9~10mm)
- TDN(ICR), 3x Digital Zoom (On/Off)
- Min. Illumination : 0.0003Lux (DSS On, B/W)
- OSD(On Screen Display), RS-485 Interface(Pelco-D)
- WDR(Wide Dynamic Range), Privacy Zone
- Electronic Sensitivity-up(DSS) (On/Off)
- Extra Video Out Port for Easy Installatoin
- 3-Axis Movement for Free Lens Rotation
- Dome Size 100mm, 24VAC/12VDC Dual Voltage
- Audio Function (Option)

OPTIONAL MODEL

- **D2260NVF/D2260PVF** : TDN(ICR), 12VDC
- **D2265NVD/D2265PVD**
: without TDN(ICR), Built-in DC Iris Varifocal lens (f=4~9mm), 24VAC/12VDC
- **D2260NVD/D2260PVD**
: without TDN(ICR), Built-in DC Iris Varifocal lens (f=4~9mm), 12VDC

OPTIONAL ACCESSORY

- **IRC100/IRC200** : Wireless Remote Controllers
- **WDB100** : Wall Mounting Bracket

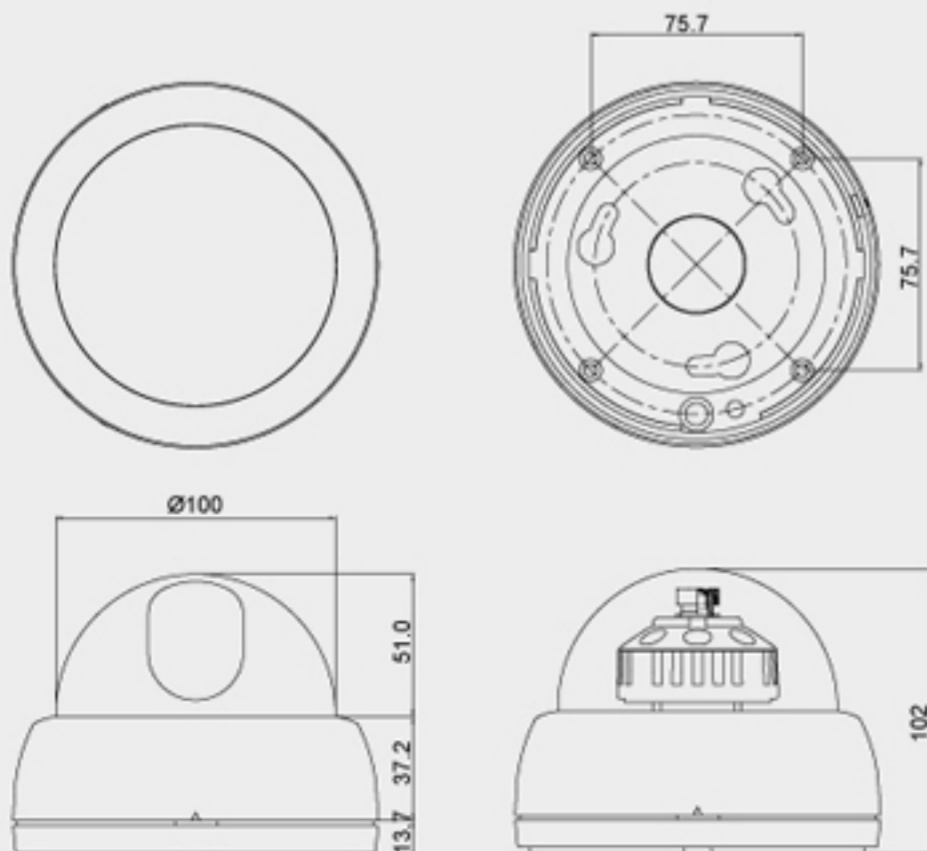


IRC100



IRC200

DIMENSIONS



SPECIFICATIONS

Model	D2265NVF	D2265PVF
Signal System	NTSC	PAL
Scanning System	2:1 Interface	
Scanning Frequency (H)	15.734kHz	15.625kHz
Scanning Frequency (V)	59.94Hz	50Hz
Image Sensor	1/3" SONY Duble Scan CCD	
Sync. System	Internal	
Total Pixels No.	811(H) x 508(V) 410K	795(H) x 596(V) 470K
Effective Pixels No.	768(H) x 494(V) 380K	752(H) x 582(V) 440K
Horizontal Resolution	480 TV Lines	
Video Output Level	1.0 Vp-p (75Ω, Composite)	
S/N Ratio	More than 48dB (AGC Off)	
Lens	DC Iris Vari-focal Lens (f=2.9-10mm, F1.2)	
Digital Zoom Ratio	3x Digital Zoom(On/Off)	
Day&Night Type	Electronic Sensitivity-up(DSS), ICR (AGC type)	
Digital Slow Shutter	Max. 160FLD (On/Off)	
Min. Illumination	0.1Lux (Color), 0.0003Lux (DSS On, B/W)	
OSD	On / Off	
AGC	Off / Low / Middle / High Selectable	
BLC, Flickerless	On / Off	
Wide Dynamic Range	On (0-15, Max. 60dB) / Off	
White Balance	AWB (AUTO / HOLD / USER)	
Privacy Zone	On / Off (4 Programmable Zone)	
Electronic Shutter Speed	1/60sec	1/50sec
Supplied Voltage	24VAC (20V-28V) / 12VDC (10V-15V)	
Power Consumption	Max. 10W / 500mA	
Camera Construction	3-Axis Movement for Free Lens Rotation	
Dimensions	ø100 x 102(H) mm	
Weight (Net)	Approx. 366g	

D2965NVD / D2965PVD



FEATURES

- 1/3" SONY Super HAD CCD
- High Resolution 530 TV Lines
- Built-in DC Iris Vari-focal Lens (f=4~9mm)
- Min. Illumination 0.1Lux(Color), 0.0008Lux(DSS On, B/W)
- OSD (On Screen Display), Privacy Zone
- Super Digital Noise Reduction(SDNR)
- Electronic Sensitivity-up(DSS) (On/Off)
- Extra Video Out Port for Easy Installation
- 3-Axis Movement for Free Lens Rotation
- Dome Size 100mm, 24VAC/12VDC Dual Votage (Line-Lock)
- Audio Function (Option)

OPTIONAL MODEL

- D2960NVD/D2960PVD : Built-in Vari-focal Lens (f=4~9mm), 12VDC
- D2965N/D2965P : Built-in Fixed lens (f=3.8mm), 24VAC/12VDC
- D2960N/D2965P : Built-in Fixed lens (f=3.8mm), 12VDC

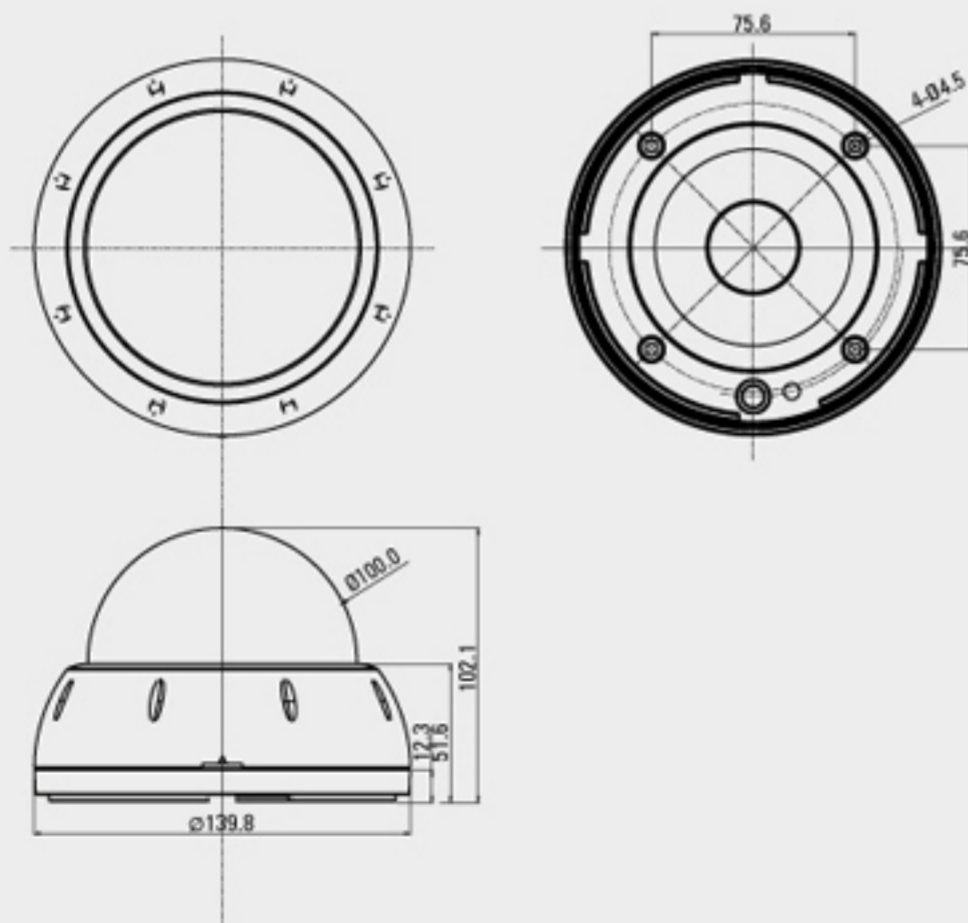
OPTIONAL ACCESSORY

- WDB100 : Wall Mounting Bracket



WDB100

DIMENSIONS



SPECIFICATIONS

Model	D2965NVD	D2965PVD
Signal System	NTSC	PAL
Scanning System	2:1 Interface	
Scanning Frequency (H)	15.734kHz	15.625kHz
Scanning Frequency (V)	59.94Hz	50Hz
Image Sensor	1/3" SONY Super HAD CCD	
Sync. System	Internal/External(Line-Lock)	
Total Pixels No.	811(H) x 508(V) 410K	795(H) x 596(V) 470K
Effective Pixels No.	768(H) x 494(V) 380K	752(H) x 582(V) 440K
Horizontal Resolution	530 TV Lines	
Video Output Level	1.0 Vp-p (75Ω, Composite)	
S/N Ratio	More than 50dB (AGC Off)	
Lens	DC Iris Vari-focal Lens (f=4~9mm, F1.5)	
Day&Night Type	Electronic Sensitivity-up(DSS)	
Digital Slow Shutter	Max. 128FLD (On/Off)	
Min. Illumination	0.1Lux (Color), 0.0008Lux (DSS On, B/W)	
Digital Noise Reduction	Off / Low / Middle / High	
OSD	On / Off	
AGC, BLC	Off / Low / Middle / High	
Flickerless	On / Off	
White Balance	ATW (1,800°K~10,500°K) / AWC / MANUAL	
Mirror Function	On / Off (Horizontal)	
Privacy Zone	On / Off (4 Programmable Zone)	
Motion Detection	On / Off (4 Programmable Zone)	
Sharpness Control	On / Off (Level Adjustable)	
Electronic Shutter Speed	1/60sec	1/50sec
Supplied Voltage	24VAC(20V~28V) / 12VDC(10V~15V)	
Power Consumption	Max. 4W / 330mA	
Camera Construction	3-Axis Movement for Free Lens Rotation	
Dimensions	∅100 x 102.1(H) mm	
Weight (Net)	Approx. 366g	

D2815NVF / D2815PVF

General Dome Camera D2 Series



FEATURES

- 1/3" SONY Super HAD CCD
- Super-High Resolution : 550 TV Lines
- Built-in DC Iris Vari-focal Lens (f=2.9~10mm)
- TDN(ICR), 2x Digital Zoom (On/Off)
- Min. Illumination : 0.001Lux (DSS On, B/W)
- Super Digital Noise Reduction(SDNR)
- Electronic Sensitivity-up(DSS) (On/Off)
- Extra Video Out Port for Easy Installation
- 3-Axis Movement for Free Lens Rotation
- Dome Size 100mm, 24VAC/12VDC Dual Voltage
- Audio Function (Option)

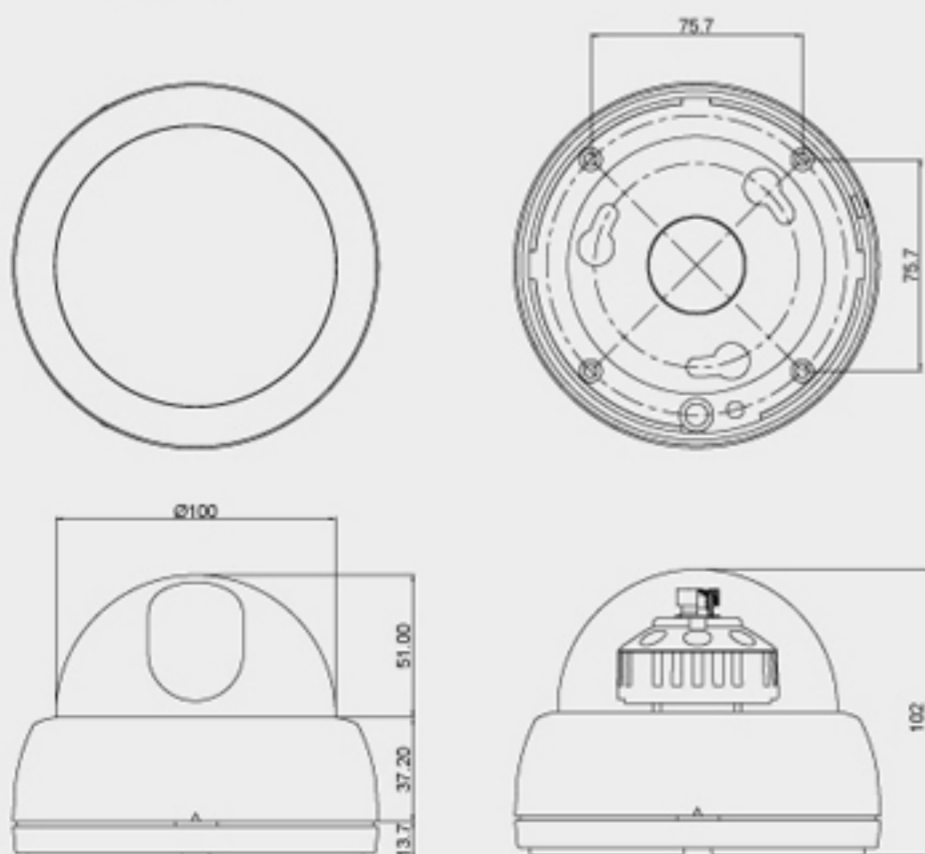
OPTIONAL MODEL

- **D2810NVF/D2810PVF** : TDN(ICR), 12VDC
- **D2815NVD/D2815PVD**
: without TDN(ICR), Built-in DC Iris Vari-focal Lens (f=4~9mm), 24VAC/12VDC
- **D2810NVD/D2810PVD**
: without TDN(ICR), Built-in DC Iris Vari-focal Lens (f=4~9mm), 12VDC
- **D2815N/D2815P**
: without TDN(ICR), Built-in DC Iris Vari-focal Lens (f=4~9mm), 24VAC/12VDC
- **D2810N/D2810P**
: without TDN(ICR), Built-in DC Iris Vari-focal Lens (f=4~9mm), 12VDC

OPTIONAL ACCESSORY

- **WDB100** : Wall Mounting Bracket

DIMENSIONS



SPECIFICATIONS

Model	D2815NVF	D2815PVF
Signal System	NTSC	PAL
Scanning System	2:1 Interface	
Scanning Frequency (H)	15.734kHz	15.625kHz
Scanning Frequency (V)	59.94Hz	50Hz
Image Sensor	1/3" SONY Super HAD CCD	
Sync. System	Internal	
Total Pixels No.	811(H) x 508(V) 410K	795(H) x 596(V) 470K
Effective Pixels No.	768(H) x 494(V) 380K	752(H) x 582(V) 440K
Horizontal Resolution	550 TV Lines	
Video Output Level	1.0 Vp-p (75Ω, Composite)	
S/N Ratio	More than 50dB (AGC Off)	
Lens	DC Iris Vari-focal Lens (f=2.9-10mm, F1.2)	
Digital Zoom Ratio	2x Digital Zoom	
Day&Night Type	Electronic Sensitivity-up(DSS), ICR (AGC type)	
Digital Slow Shutter	Max. 32FLD (On/Off)	
Min. Illumination	0.1Lux (Color), 0.001Lux (DSS On, B/W)	
Digital Noise Reduction	Auto	
DIP SW Control(On/Off)	AGC, BLC, Flickerless, D.Zoom, DSS, D/N	
White Balance	Auto	
Electronic Shutter Speed	1/60sec	1/50sec
Supplied Voltage	24VAC(20V-28V) / 12VDC(10V-15V)	
Power Consumption	Max. 3W	
Camera Construction	3-Axis Movement for Free Lens Rotation	
Dimensions	Ø100 x 102(H) mm	
Weight (Net)	Approx. 366g	

D2315NVF / D2315PVF



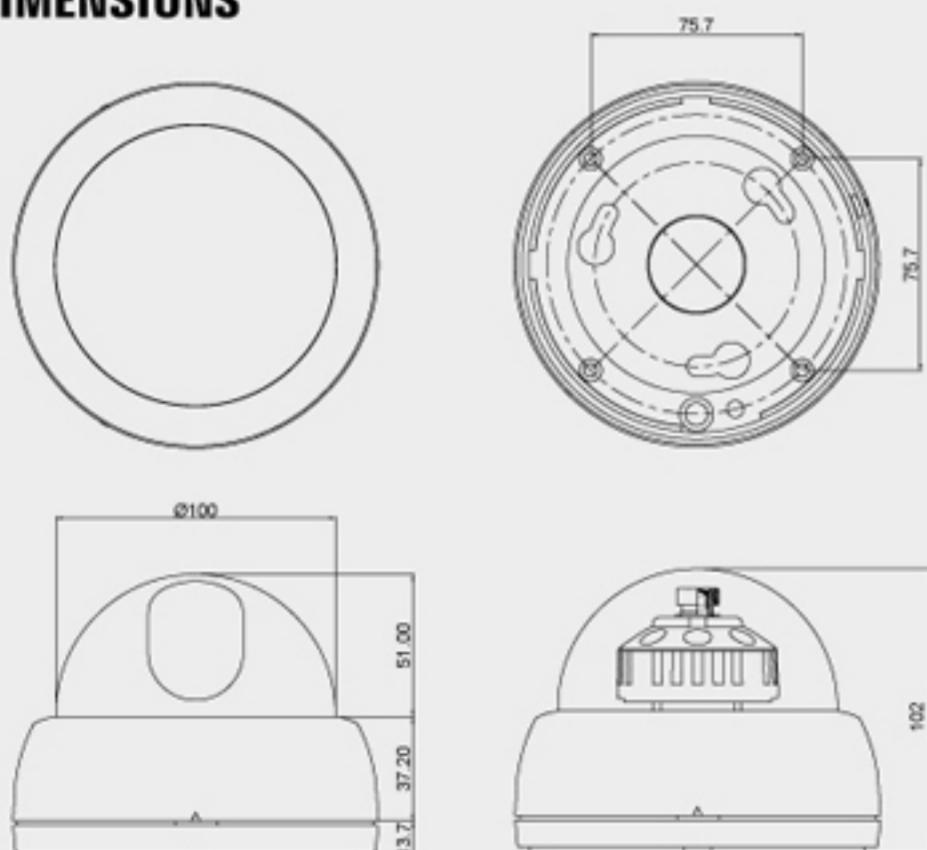
FEATURES

- 1/3" SONY Super HAD CCD
- Super High Resolution : 550 TV Lines
- Built-in DC Iris Vari-focal Lens (f=2.9~10mm)
- TDN(ICR)
- Min. Illumination : 0.1Lux (B/W)
- Extra Video Out Port for Easy Installation
- 3-Axis Movement for Free Lens Rotation
- Dome Size 100mm
- 24VAC/12VDC Dual Voltage
- Audio Function (Option)

OPTIONAL MODEL

- **D2310NVF/D2310NPF** : TDN(ICR), 12VDC
- **D2315NVD/D2315PVD** : without TDN(ICR), Built-in DC Iris Vari-focal Lens (f=4~9mm), 24VAC/12VDC
- **D2310NVD/D2310PVD** : without TDN(ICR), Built-in DC Iris Vari-focal Lens (f=4~9mm), 12VDC
- **D2315N/D2315P** : without TDN(ICR), Built-in Fixed Lens (f=3.8mm), 24VAC/12VDC
- **D2310N/D2310P** : without TDN(ICR), Built-in Fixed Lens (f=3.8mm), 12VDC
- **D2415NVD/D2415PVD** : 480TVL, without TDN(ICR), Built-in DC Iris Vari-focal Lens (f=4~9mm), 24VAC/12VDC
- **D2410NVD/D2410PVD** : 480TVL, without TDN(ICR), Built-in DC Iris Vari-focal Lens (f=4~9mm), 12VDC
- **D2415N/D2415P** : 480TVL, without TDN(ICR), Built-in Fixed Lens (f=3.8mm), 24VAC/12VDC
- **D2410N/D2410P** : 480TVL, without TDN(ICR), Built-in Fixed Lens (f=3.8mm), 12VDC
- **D2005NVD/D2005PVD** : 380TVL, without TDN(ICR), Built-in DC Iris Vari-focal Lens (f=4~9mm), 24VAC/12VDC
- **D2000NVD/D2000PVD** : 380TVL, without TDN(ICR), Built-in DC Iris Vari-focal Lens (f=4~9mm), 12VDC
- **D2005N/D2005P** : 380TVL, without TDN(ICR), Built-in Fixed Lens (f=3.8mm), 24VAC/12VDC
- **D2000N/D2000P** : 380TVL, without TDN(ICR), Built-in DC Iris Fixed Lens (f=3.8mm), 12VDC

DIMENSIONS



SPECIFICATIONS

Model	D2315NVF	D2315PVF
Signal System	NTSC	PAL
Scanning System	2:1 Interface	
Scanning Frequency (H)	15.734kHz	15.625kHz
Scanning Frequency (V)	59.94Hz	50Hz
Image Sensor	1/3" SONY Super HAD CCD	
Sync. System	Internal	
Total Pixels No.	811(H) x 508(V) 410K	795(H) x 596(V) 470K
Effective Pixels No.	768(H) x 494(V) 380K	752(H) x 582(V) 440K
Horizontal Resolution	550 TV Lines	
Video Output Level	1.0 Vp-p (75Ω, Composite)	
S/N Ratio	More than 48dB (AGC Off)	
Lens	DC Iris Vari-focal Lens (f=2.9~10mm, F1.2)	
Day&Night Type	ICR(AGC type)	
Min. Illumination	0.3Lux (Color), 0.1Lux (B/W)	
DIP SW Control(On/Off)	AGC, BLC, Flickerless	
White Balance	Auto	
Electronic Shutter Speed	1/60sec	1/50sec
Supplied Voltage	24VAC(20V~28V) / 12VDC(10V~15V)	
Power Consumption	Max. 5W	
Camera Construction	3-Axis Movement for Free Lens Rotation	
Dimensions	Ø100 x 102(H) mm	
Weight (Net)	Approx. 366g	

OPTIONAL ACCESSORY

- **WDB100** : Wall Mounting Bracket

D1310NDF / D1310PDF

General Dome Camera D1 Series



FEATURES

- 1/3" SONY Super HAD CCD
- Super High Resolution : 550 TV Lines
- Built-in Fixed Lens (f=3.8mm)
- D&N(IR Pass Filter)
- Min. Illumination : 0.1Lux (B/W)
- Extra Video Out Port for Easy Installation
- 2-Axis Movement
- Dome Size 85mm
- 12VDC



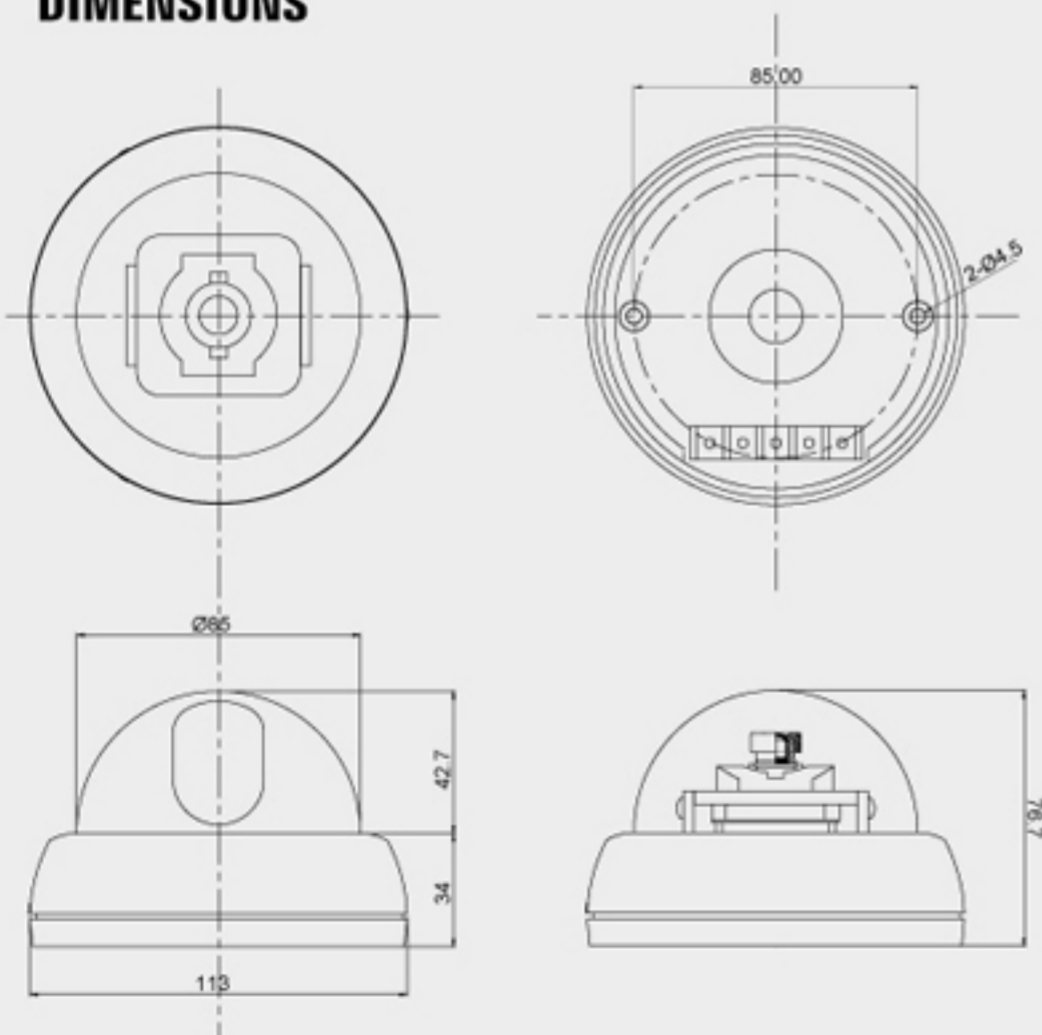
OPTIONAL MODEL

- **D1310N/D1310P** : 550TVL, without D&N, 2-Axis, 12VDC
- **D1410N/D1410P** : 480TVL, without D&N, 2-Axis, 12VDC
- **D1000NDF/D1000PDF** : 380TVL, D&N, 3-Axis, 12VDC
- **D1000N/D1000P** : 380TVL, without D&N, 3-Axis, 12VDC
- **D1715NDF/D1715PDF** : 480TVL, D&N, 3-Axis, 24VAC/12VDC
- **D1715N/D1715P** : 480TVL, without D&N, 3-Axis, 24VAC/12VDC
- **D1710NDF/D1710PDF** : 480TVL, D&N, 3-Axis, 12VDC
- **D1710N/D1710P** : 480TVL, without D&N, 3-Axis, 12VDC
- **D1700NDF/D1700PDF** : 380TVL, D&N, 3-Axis, 12VDC
- **D1705N/D1705P** : 380TVL, without D&N, 3-Axis, 24VAC/12VDC
- **D1700N/D1700P** : 380TVL, without D&N, 3-Axis, 12VDC
- **D1010NB/D1010PB** : 580TVL(B/W Camera), without D&N, 3-Axis, 12VDC

SPECIFICATIONS

Model	D1310NDF	D1310PDF
Signal System	NTSC	PAL
Scanning System	2:1 Interface	
Scanning Frequency (H)	15.734kHz	15.625kHz
Scanning Frequency (V)	59.94Hz	50Hz
Image Sensor	1/3" SONY Super HAD CCD	
Sync. System	Internal	
Total Pixels No.	811(H) x 508(V) 410K	795(H) x 596(V) 470K
Effective Pixels No.	768(H) x 494(V) 380K	752(H) x 582(V) 440K
Horizontal Resolution	550 TV Lines	
Video Output Level	1.0 Vp-p (75Ω, Composite)	
S/N Ratio	More than 48dB (AGC Off)	
Lens	Fixed Lens (f=3.8mm, F2.0)	
Day&Night Type	IR Pass Filter	
Min. Illumination	0.3Lux (Color), 0.1Lux (B/W)	
White Balance	Auto	
Electronic Shutter Speed	1/60~100,000sec	1/50~100,000sec
Supplied Voltage	12VDC(9V~15V)	
Power Consumption	Max. 1.8W / 150mA	
Dimensions	Ø85x 76.7(H) mm	
Weight (Net)	Approx. 220g	

DIMENSIONS



D1811NVF / D1811PVF



FEATURES

- 1/3" SONY Super HAD CCD
- Super High Resolution : 550 TV Lines
- Built-in DC Iris Vari-focal Lens (f=2.9~10mm)
- TDN(ICR), 2x Digital Zoom (On/Off)
- Min. Illumination : 0.001Lux (DSS On, B/W)
- Super Digital Noise Reduction(SDNR)
- Electronic Sensitivity-up(DSS) (On/Off)
- Extra Video Out Port for Easy Installation
- 3-Axis Movement for Free Lens Rotation
- Dome Size 85mm, Audio Function (Option)
- Dual(Surface/Flush) Mount Type

OPTIONAL MODEL

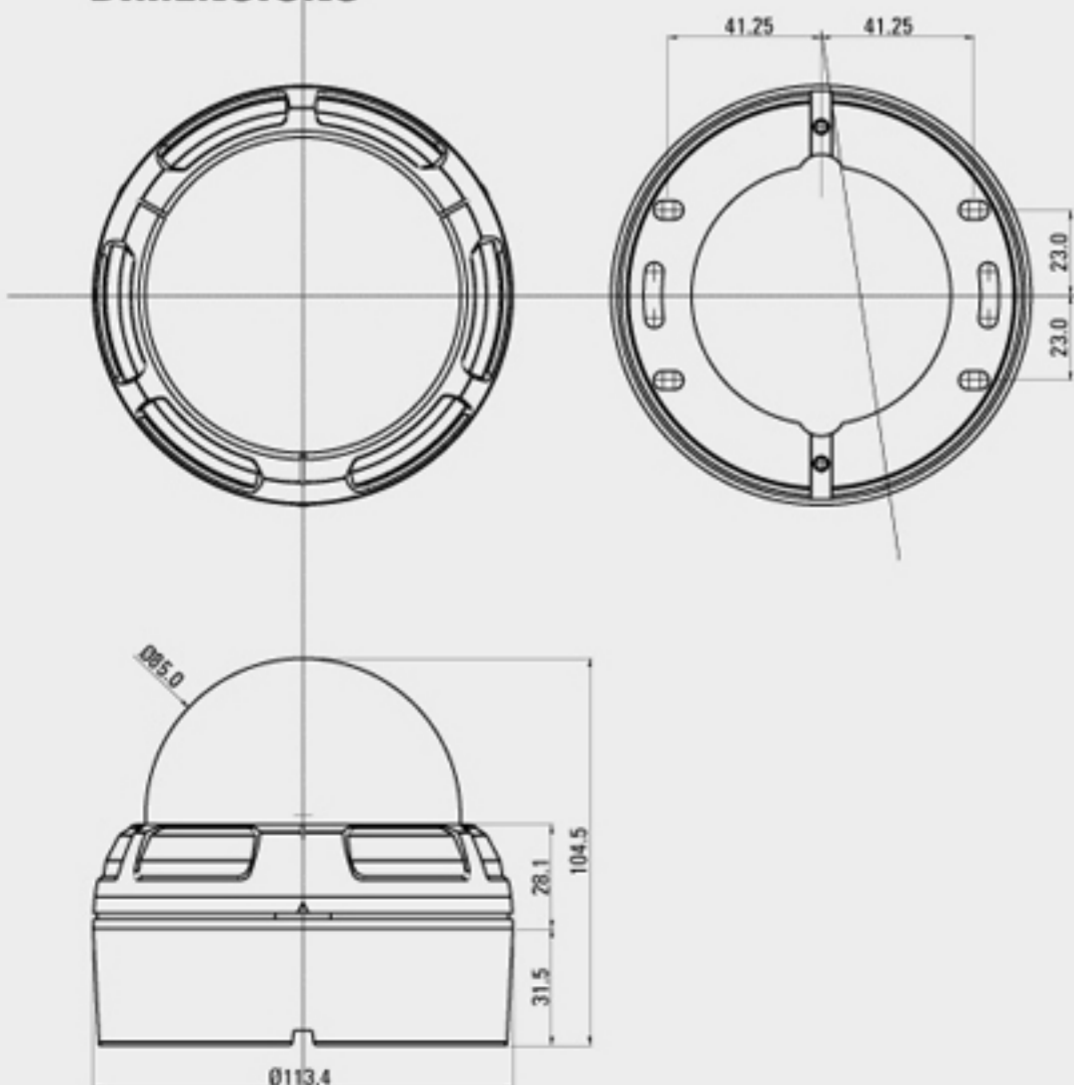
- D1811NVD/D1811PVD

: without TDN(ICR), Built-in DC Iris Varifocal lens (f=4~9mm), 12VDC

SPECIFICATIONS

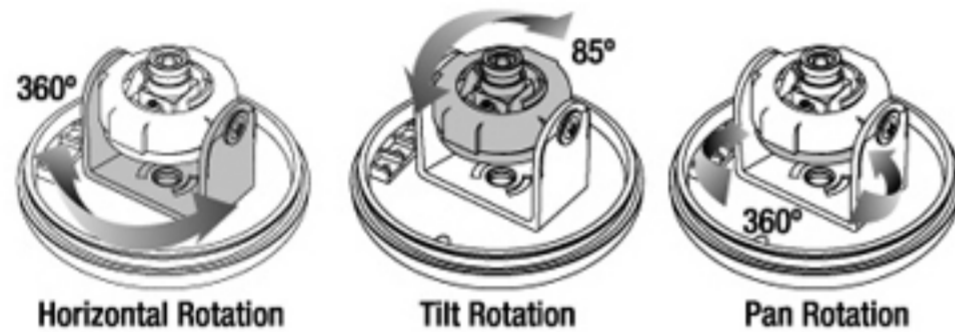
Model	D1811NVF	D1811PVF
Signal System	NTSC	PAL
Scanning System	2:1 Interface	
Scanning Frequency (H)	15.734kHz	15.625kHz
Scanning Frequency (V)	59.94Hz	50Hz
Image Sensor	1/3" SONY Super HAD CCD	
Sync. System	Internal	
Total Pixels No.	811(H) x 508(V) 410K	795(H) x 596(V) 470K
Effective Pixels No.	768(H) x 494(V) 380K	752(H) x 582(V) 440K
Horizontal Resolution	550 TV Lines	
Video Output Level	1.0 Vp-p (75Ω, Composite)	
S/N Ratio	More than 50dB (AGC Off)	
Lens	DC Iris Vari-focal Lens (f=2.9-10mm, F1.2)	
Digital Zoom Ratio	2x Digital Zoom(On/Off)	
Day&Night Type	Electronic Sensitivity-up(DSS), ICR(AGC type)	
Digital Slow Shutter	Max. 32FLD(On/Off)	
Min. Illumination	0.1Lux (Color), 0.001Lux (DSS On, B/W)	
Digital Noise Reduction (SDNR)	Auto	
DIP SW Control(On/Off)	BLC, Flickerless, DSS	
White Balance	Auto	
Electronic Shutter Speed	1/60sec	1/50sec
Supplied Voltage	24VAC(20V-28V) / 12VDC(10V-15V)	
Power Consumption	Max. 3W	
Camera Construction	3-Axis Movement for Free Lens Rotation	
Dimensions	Ø85 x 104.5(H) mm	
Weight (Net)	Approx. 323g	

DIMENSIONS



D3710N / D3710P**General Dome Camera D3 Series- 480/380TVL****FEATURES**

- 1/3" SONY Super HAD CCD
- High Resolution : 480 TV Lines
- Built-in Fixed Lens (f=3.8mm)
- Min. Illumination : 0.3Lux
- Auto White Balance
- AGC, BLC, Flickerless (On/Off)
- Extra Video Out Port for Easy Installation
- 3-Axis Movement for Free Lens Rotation
- Dome Size 68mm,
- 12VDC

3-Axis Movement for Free Lens Rotation**OPTIONAL MODEL**

- D3700N/D3700P : 380TVL

SDN330VD / SDP330VD**SPACE DOME CAMERA****FEATURES**

- 1/3" SONY Super HAD CCD
- Super High Resolution : 550 TV Lines
- Built-in DC Iris Vari-focal Lens (f=4~9mm)
- Min. Illumination : 0.3Lux
- Auto White Balance
- AGC, BLC, Flickerless (On/Off)
- Extra Video Out Port for Easy Installation
- 2-Axis Movement
- Dome Size 100mm, Interior Design
- 12VDC

OPTIONAL MODEL

- SDN330/SDP330 : 550TVL, Fixed Lens, 2-Axis
- SDN258/SDP258 : 380TVL, Fixed Lens, 2-Axis

DM1700N/DM1700P
Interior Dome



FEATURES

- 1/3" SONY Super HAD CCD
- Normal Resolution : 380 TV Lines
- Built-in Fixed Lens, Min. Illumination : 0.1 Lux
- Auto White Balance (AWB)
- Auto Gain Control (AGC)
- Interior Dome as a Stylish Design
- Dome Size 85mm, 12VDC
- Various Housing Color (Black/Cool Gray1C/White/Light Gray)

DI2310NVF/DI2310PVF
In-Ceiling Dome



FEATURES

- 1/3" SONY Super HAD CCD
- Super-High Resolution : 550 TV Lines
- Built-in DC Iris Vari-focal Lens (2.9~10mm)
- TDN(ICR), Min. Illumination : 0.1Lux
- In-Ceiling Mount Type
- Dome Size 115mm, 12VDC
- without TDN (Option: DI2310NVD/DI2310PVD)
- Dome Size 100mm, Vari-focal Lens (Option : DI1310NVF/DI1310PVF)
- Dome Size 100mm, Fixed Lens (Option : DI1310N/DI1310P)

VB1710NIR/VB1710PIR
Eye Ball Vandal Dome (Ø70)



FEATURES

- 1/3" SONY Super HAD CCD
- High Resolution : 480 TV Lines
- Built-in Fixed Lens
- TDN(ICR), Min. Illumination : 0 Lux (IR LED On)
- Built-in IR LED(25EA) & Sensor(1EA)
- Auto White Balance (AWB), AGC
- Eye Ball Size 70mm, 12VDC
- Vandal-Resistant Housing
- 380 TV Lines (Option : VB1700NIR/VB1700PIR)

VB2810NVR/VB2810PVR
Eye Ball Vandal Dome (Ø96)



FEATURES

- 1/3" SONY Super HAD CCD
- Super-High Resolution : 550 TV Lines
- Built-in DC Iris Vari-focal Lens (f=3.8~9.5mm)
- TDN(ICR), Min. Illumination : 0 Lux (IR LED On)
- Built-in IR LED(25EA) & Sensor(1EA)
- SDNR (Super Digital Noise Reduction)
- Electronic Sensitivity-Up(DSS), 2x Digital Zoom
- Eye Ball Size 96mm, 12VDC
- Vandal-Resistant Housing
- Fixed Lens (Option : VB2310NIR/VB2310PIR, IR LED 35EA)

VC1710N/VC1710P
Corner Mount Vandal Dome



FEATURES

- 1/3" SONY Super HAD CCD
- High Resolution : 480 TV Lines
- Built-in Fixed Lens, Min. Illumination : 0.3 Lux
- Auto White Balance (AWB)
- Auto Gain Control (AGC)
- Dome Size 55mm, 12VDC
- Vandal-Resistant Housing

IR DOME CAMERA - VARI FOCAL LENS



V2815NVR/V2815PVR



V1815NVR/V1815PVR



D2815NVR/D2815PVR

Model	V2815NVR/V2815PVR	V1815NVR/V1815PVR	D2815NVR/D2815PVR
Pick-up Device	1/3" SONY Super HAD CCD		
Sync. System	More than 50dB (AGC Off)		
Horizontal Resolution	550 TV Lines		
Video Output Level	1.0 Vp-p(75Ω, Composite)		
Lens	DC Iris Vari-focal Lens (f=3.8~9.5mm, F1.2)		
IR LED and Sensor	IR LED (850nm, 30") 20EA, Sensor 1EA		
IR Visible Range	Max. 15m		
Min. Illumination	0 Lux (IR LED On)		
DIP SW Control (On/Off)	AGC, BLC, Flickerless, Digital Zoom, DSS, D/N(Color/BW)		
Housing Material	Aluminium (Vandal-Resistant)		Plastic
Lens Rotation	2-Axis Mechanism		
Mount Type	Dual Mount (Surface/Flush) Surface		
Dimensions	100(∅) x 124.5(H) mm	100(∅) x 101(H) mm	100(∅) x 102(H) mm
Supplied Voltage	24VAC/12VDC Dual Voltage		
Optional Models	V2810NVR/V2810PVR : 12VDC	V1810NVR/V1810PVR : 12VDC	D2810NVR/D2810PVR : 12VDC

IR DOME CAMERA - FIXED LENS



V2315NIR/V2315PIR



V1315NIR/V1315PIR



D2315NIR/D2315PIR



SDN258IR/SDP258IR

Model	V2315NIR/V2315PIR	V1315NIR/V1315PIR	D2315NIR/D2315PIR	SDN258IR/SDP258IR
Pick-up Device	1/3" SONY Super HAD CCD			
Sync. System	More than 48dB (AGC Off)			
Horizontal Resolution	550 TV Lines			380 TV Lines
Video Output Level	1.0 Vp-p(75Ω, Composite)			
Lens	Fixed Lens (f=3.8mm, F2.0)			
IR LED and Sensor	IR LED (850nm, 30") 24EA, Sensor 1EA			
IR Visible Range	Max. 15m			
Min. Illumination	0 Lux (IR LED On)			
DIP SW Control (On/Off)	AGC, BLC, Flickerless			AGC On
Housing Material	Aluminium (Vandal-Resistant)		Plastic	Interior (Stylish Design)
Lens Rotation	3-Axis Mechanism			2-Axis Mechanism
Mount Type	Dual Mount (Surface/Flush)	Surface		
Dimensions	100(∅) x 124.5(H) mm	100(∅) x 101(H) mm	100(∅) x 102(H) mm	140(H) x 100(H) mm
Supplied Voltage	24VAC/12VDC Dual Voltage			12VDC
Optional Models	V2310NIR/V2310PIR : 12VDC	V1310NIR/V1310PIR : 12VDC	D2310NIR/D2310PIR : 12VDC D2005NIR/D2005PIR : 380TVL, 24VAC/12VDC D2000NIR/D2000PIR : 380TVL, 12VDC	SDN330/SDP330 : 550TVL, without IR LEDs SDN330VD/SDP330VD : 550TVL, Varifocal Lens, without IR LEDs

BE5810NCR / BE5810PCR

Weatherproof IR Camera B5 Series



FEATURES

- 1/3" SONY Super HAD CCD
- Super High Resolution : 550TV Lines
- Built-in DC Iris Vari-focal Lens (f=7.5~50mm)
- TDN (ICR), 2x Digital Zoom
- Built-in IR LED(126EA) & Sensor(1EA)
- Min. Illumination : 0Lux (IR LED ON)
- Auto White Balance
- AGC, BLC, Flickerless (On/Off)
- Super Digital Noise Reduction(SDNR)
- Electronic Sensitivity-up(DSS) (On/Off)
- Built-in Fan & Heater
- 12VDC
- IP65

OPTIONAL MODEL

- **BM5562NIR/BM5562PIR**
: Max.300x Zoom (30x Optical/10x Digital), OSD,12VDC
- **BE5815NVR/BE5815PVR** : DC Iris Vari-focal Lens (f=3.8~9.5mm),
IR LEDs(34EA) & Sensor, 24VAC/12VDC(Line-Lock)

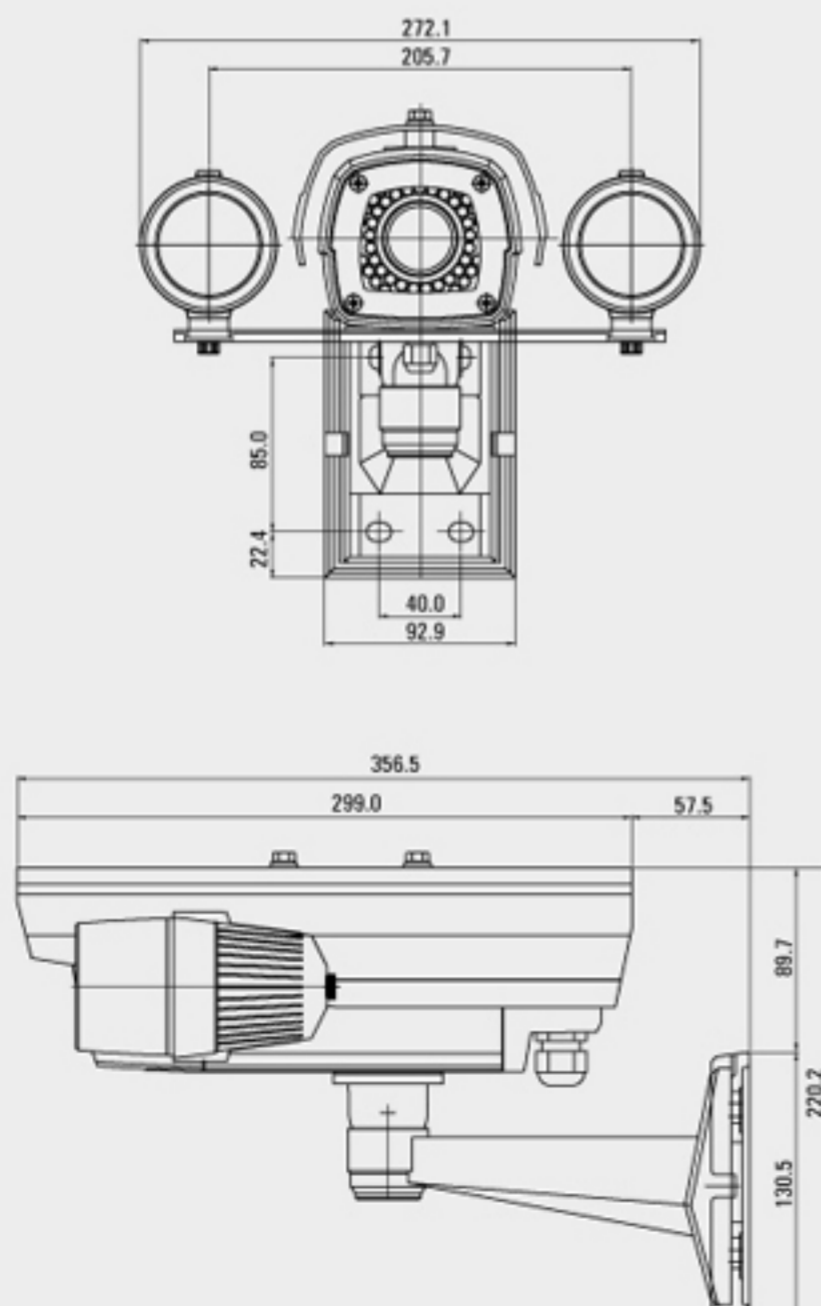


BM5562NIR/BM5562PIR



BE5815NVR/BE5815PVR

DIMENSIONS



SPECIFICATIONS

Model	BE5810NCR	BE5810PCR
Signal System	NTSC	PAL
Scanning System	2:1 Interface	
Scanning Frequency(H)	15.734kHz	15.625kHz
Scanning Frequency(V)	59.94Hz	50Hz
Image Sensor	1/3" SONY Super HAD CCD	
Sync. System	Internal	
Total Pixels No.	811(H) x 508(V) 410K	795(H) x 596(V) 470K
Effective Pixels No.	768(H) x 494(V) 380K	752(H) x 582(V) 440K
Horizontal Resolution	550 TV Lines	
Video Output Level	1.0 Vp-p (75Ω, Composite)	
S/N Ratio	More than 50dB (AGC Off)	
Lens	DC Iris Vari-focal Lens (f=7.5~50mm F1.3)	
Digital Zoom ratio	2x Digital Zoom (On/Off)	
Day & Night Type	Electronic Sensitivity-up (DSS), ICR (Sensor type)	
IR LED & Sensor	IR LED 126EA (850nm 15"), Sensor 1EA	
Beam spreads	more than 70m	
Min. Illumination	0.3Lux(Color), 0.008Lux (DSS 32FLD), 0Lux (IR LED On)	
Digital Noise Reduction	Auto	
AGC	On/Off	
BLC, Flickerless	On/Off	
White Balance	Auto	
Electronic Shutter Speed	1/60sec	1/50sec
Operating Temperature	-10°C ~ +45°C (Fan Off, Heater Off), -30°C ~ +50°C (Fan On, Heater On)	
Storage Temperature	-20°C ~ +65°C	
Supplied Voltage	12VDC (9.6~13.2VDC)	
Power Consumption	Max. 30W / 11A	
Dimensions	272.1(W) x 220.2(H) x 356.5(D) mm	
Weight (net)	Approx. 3.2kg	

BE4810NCR / BE4810PCR

Weatherproof IR Camera B4 Series



FEATURES

- 1/3" SONY Super HAD CCD
- Super High Resolution : 550TV Lines
- Built-in DC Iris Vari-focal Lens (f=3.8~9.5mm)
- TDN(ICR), 2x Digital Zoom
- Built-in Hybrid IR LED(9EA) & Sensor(1EA)
- Min. Illumination : 0Lux (IR LED On)
- Auto White Balance
- AGC, BLC, Flickerless (On/Off)
- Super Digital Noise Reduction(SDNR)
- Electronic Sensitivity-up(DSS) (On/Off)
- Built-in Fan & Heater
- 12VDC
- IP65

OPTIONAL MODEL

- BE4815NVR/BE4815PVR : DC Iris Vari-focal Lens (f=3.8~9.5mm), IR LEDs(56EA)& Sensor, 24VAC/12VDC
- BM4267NL/BM4267PL : Max. 220x Zoom (22x Optical/10x Digital), without (TDN, IR LEDs), 24VAC/12VDC

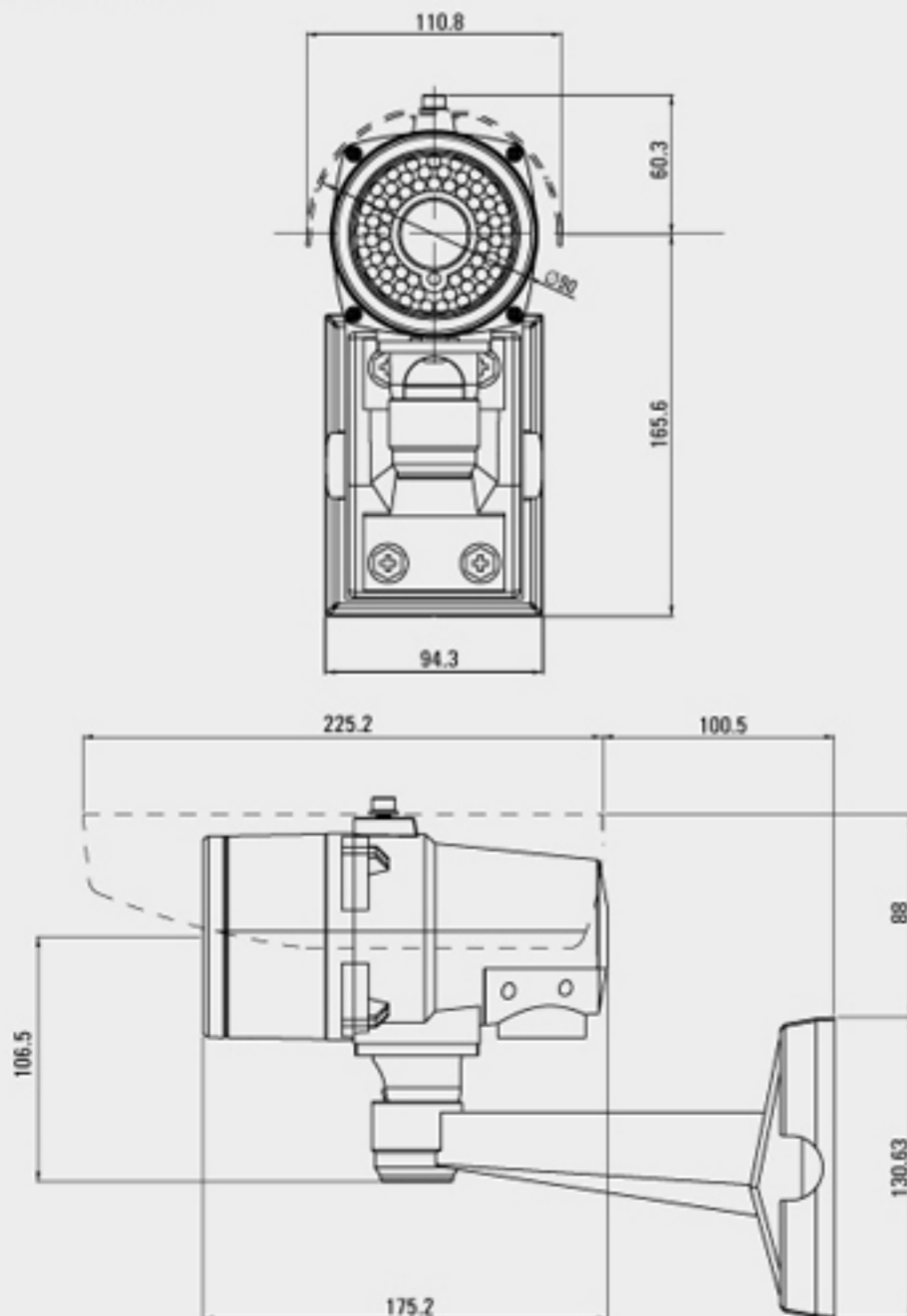


BE4815NVR/BE4815PVR



BM4267NL/BM4267PL

DIMENSIONS



SPECIFICATIONS

Model	BE4810NCR	BE4810PCR
Signal System	NTSC	PAL
Scanning System	2:1 Interface	
Scanning Frequency(H)	15.734kHz	15.625kHz
Scanning Frequency(V)	59.94Hz	50Hz
Image Sensor	1/3" SONY Super HAD CCD	
Sync. System	Internal	
Total Pixels No.	811(H) x 508(V) 410K	795(H) x 596(V) 470K
Effective Pixels No.	768(H) x 494(V) 380K	752(H) x 582(V) 440K
Horizontal Resolution	550 TV Lines	
Video Output Level	1.0 Vp-p (75Ω, Composite)	
S/N Ratio	More than 50dB (AGC Off)	
Lens	DC iris varifocal lens (f=3.8~9.5mm F1.2)	
Digital Zoom ratio	2x Digital Zoom	
Day & Night Type	Electronic Sensitivity-up (DSS), ICR (Sensor type)	
IR LED & Sensor	Hybrid IR LED 9EA (850nm 15'), Sensor 1EA	
Beam spreads	Max. 60m	
Min. Illumination	0.3Lux (Color), 0.008Lux (DSS 32FLD), 0Lux (IR LED On)	
Digital Noise Reduction (SDNR)	Auto	
AGC	On/Off	
BLC, Flickerless	On/Off	
White Balance	Auto	
Electronic Shutter Speed	1/60sec	1/50sec
Operating Temperature	-10°C ~ +45°C (Fan Off, Heater Off), -30°C ~ +50°C (Fan On, Heater On)	
Storage Temperature	-20°C ~ +65°C	
Supplied Voltage	12VDC(10~15V)	
Power Consumption	Max. 18W (1.5A/12VDC)	
Dimensions (WxHxD)	110.8 x 218.6 x 325.7 mm	
Weight (net)	Approx. 1.6kg	

BE3815NVR / BE3815PVR

Weatherproof IR Camera B3 Series



FEATURES

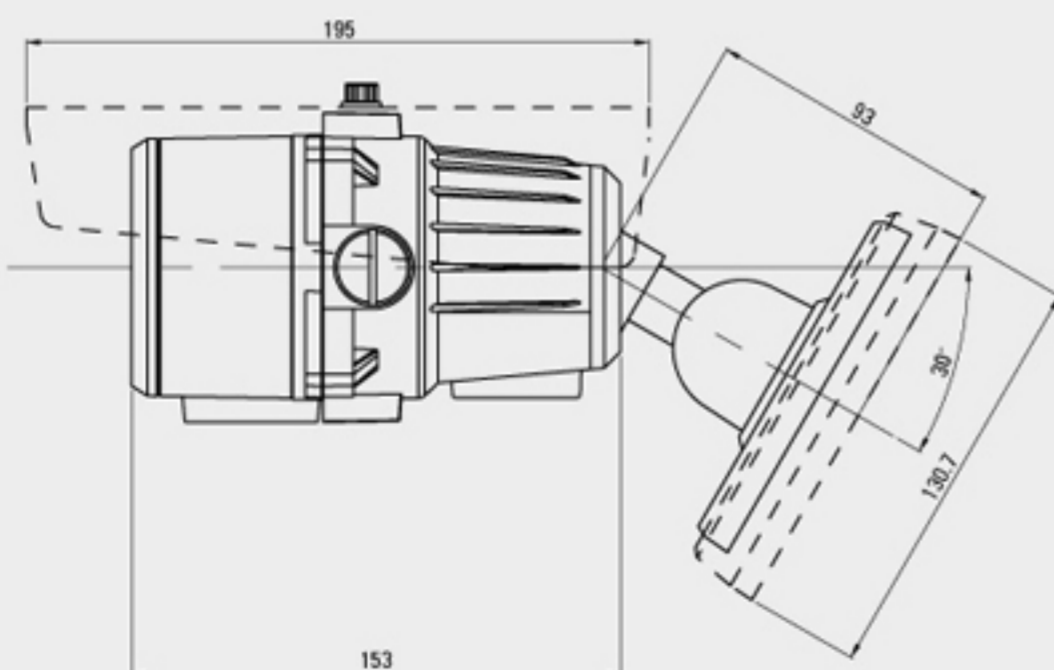
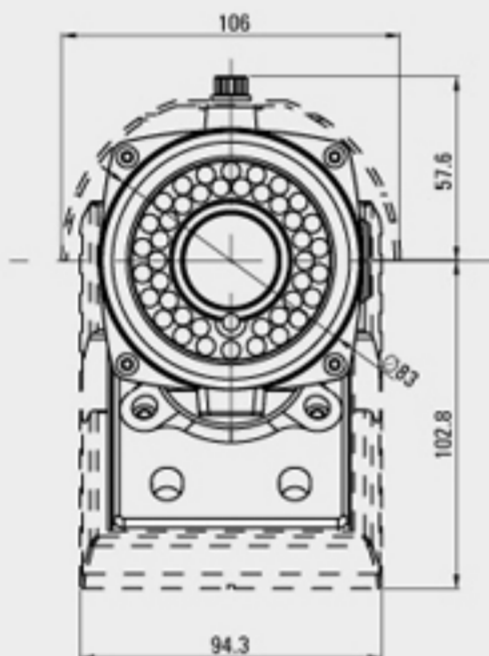
- 1/3" SONY Super HAD CCD
- Super High Resolution : 550TV Lines
- Built-in DC Iris Varifocal Lens (f=3.8~9.5mm)
- TDN (ICR), 2x Digital Zoom
- Built-in IR LED(42EA) & Sensor(1EA)
- Min. Illumination : 0Lux (IR LED On)
- Auto White Balance
- AGC, BLC, Flickerless (On/Off)
- Super Digital Noise Reduction(SDNR)
- Electronic Sensitivity-up(DSS) (On/Off)
- External (Zoom/Focus, Near/Far) Adjustment
- Built-in Fan & Heater
- 24VAC/12VDC Dual Voltage
- IP65

OPTIONAL ACCESSORY

- WMS100 : Wall Mounting Bracket Supporter



DIMENSIONS



SPECIFICATIONS

Model	BE3815NVR	BE3815PVR
Signal System	NTSC	PAL
Scanning System	2:1 Interface	
Scanning Frequency(H)	15.734kHz	15.625kHz
Scanning Frequency(V)	59.94Hz	50Hz
Image Sensor	1/3" SONY Super HAD CCD	
Sync. System	Internal	
Total Pixels No.	811(H) x 508(V) 410K	795(H) x 596(V) 470K
Effective Pixels No.	768(H) x 494(V) 380K	752(H) x 582(V) 440K
Horizontal Resolution	550 TV Lines	
Video Output Level	1.0 Vp-p (75Ω, Composite)	
S/N Ratio	More than 50dB (AGC Off)	
Lens	DC iris Vari-focal Lens (f=3.8~9.5mm F1.2)	
Digital Zoom ratio	2x Digital Zoom (ON/OFF)	
Day & Night Type	Electronic Sensitivity-up (DSS), ICR (Sensor type)	
IR LED & Sensor	IR LED 42EA (850nm 15', 30'), Sensor 1EA	
IR Visible Range	Max. 40m	
Min. Illumination	0.3Lux (Color), 0.008Lux (DSS 32FLD), 0Lux (IR LED On)	
Digital Noise Reduction	Auto	
AGC	On/Off	
BLC, Flickerless	On/Off	
White Balance	Auto	
Electronic Shutter Speed	1/60sec	1/50sec
Input/Output Connector	Video Output, Power Input	
Operating Temperature	-10°C ~ +45°C (Fan Off, Heater Off), -30°C ~ +50°C (Fan On, Heater On)	
Storage Temperature	-20°C ~ +65°C	
Supplied Voltage	24VAC(24~28V)/12VDC(11~15V)	
Power Consumption	Max. 11W / 1.4A	
Dimensions	83(∅) x 160.4(H)mm	
Weight (net)	Approx. 1.1kg	

B2815NVF / B2815PVF

Weatherproof IR Camera B2 Series

**FEATURES**

- 1/3" SONY Super HAD CCD
- Super High Resolution : 550TV Lines
- Built-in DC Iris Vari-focal Lens (f=3.8~9.5mm)
- TDN (ICR), 2x Digital Zoom
- Built-in IR LED(18EA) & Sensor(1EA)
- IR LED Visible Range : Max. 20mm
- Min. Illumination: 0Lux (IR LED On)
- Auto White Balance
- AGC, BLC, Flickerless (On/Off)
- Super Digital Noise Reduction (SDNR)
- Electronic Sensitivity-up(DSS) (On/Off)
- 24VAC
- IP65

OPTIONAL MODEL

- B2810NVF/B2810PVF : TDN, 12VDC
- B2815NF/B2815PF : TDN, Built-in Fixed Lens (f=12mm), 24VAC
- B2810NF/B2810PF : TDN, Built-in Fixed Lens (f=12mm), 12VDC
- B2315NVF/B2315PVF : without (DSS, SDNR, D-Zoom), 24VAC
- B2310NVF/B2310PVF : without (DSS, SDNR, D-Zoom), 12VDC
- B2315N/B2315P : without (TDN, DSS, SDNR, D-Zoom), Built in Fixed Lens (f=12mm), 24VAC
- B2310N/B2310P : without (TDN, DSS, SDNR, D-Zoom), Built in Fixed Lens (f=12mm), 12VDC
- B2005N/B2005P : 380TVL, without(TDN, DSS, SDNR, D-Zoom), Built-in Fixed Lens (f=12mm), 24VAC
- B2000N/B2000P : 380TVL, without(TDN, DSS, SDNR, D-Zoom), Built-in Fixed Lens (f=12mm), 12VDC

B1715N / B1715P

Weatherproof IR Camera B1 Series

**FEATURES**

- 1/3" SONY Super HAD CCD
- High Resolution : 480TV Lines
- Built-in Fixed Lens (f=6mm)
- Built-in IR LED(12EA) & Sensor(1EA)
- IR LED Visible Range : Max. 15m
- Min. Illumination : 0Lux (IR LED On)
- Auto White Balance, AGC
- 24VAC
- IP65

OPTIONAL MODEL

- B1710N/B1710P : 480TVL, 12VDC
- B1005N/B1005P : 380TVL, 24VAC
- B1000N/B1000P : 380TVL, 12VDC



A1568NLTP/A1568PLTP
300x Zoom UTP Camera

- 30x Optical, 10x Digital Zoom
- TDN(ICR), DSS
- 24VAC/12VDC Dual Power Supply
- RS-485/PTZ Controller Interface



D2315NVFTP/D2315PVFTP
UTP Dome Camera

- 550TVL, TDN (ICR)
- DC Drive 3.8-9.5mm Varifocal Lens
- 24VAC/12VDC Dual Power Supply
- Ø100 Dome Diameter



V2315NIRTP/V2315PIRTP
Vandal-Resistant UTP Dome Camera

- 550TVL, TDN (ICR), Fixed Lens
- 24VAC/12VDC Dual Power Supply
- Vandal-Resistant Housing
- Ø100 Dome Diameter

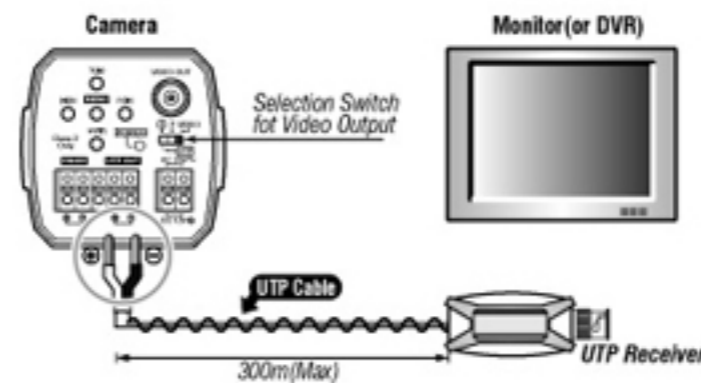


GN605TP/GP605TP
WDR UTP Box Camera

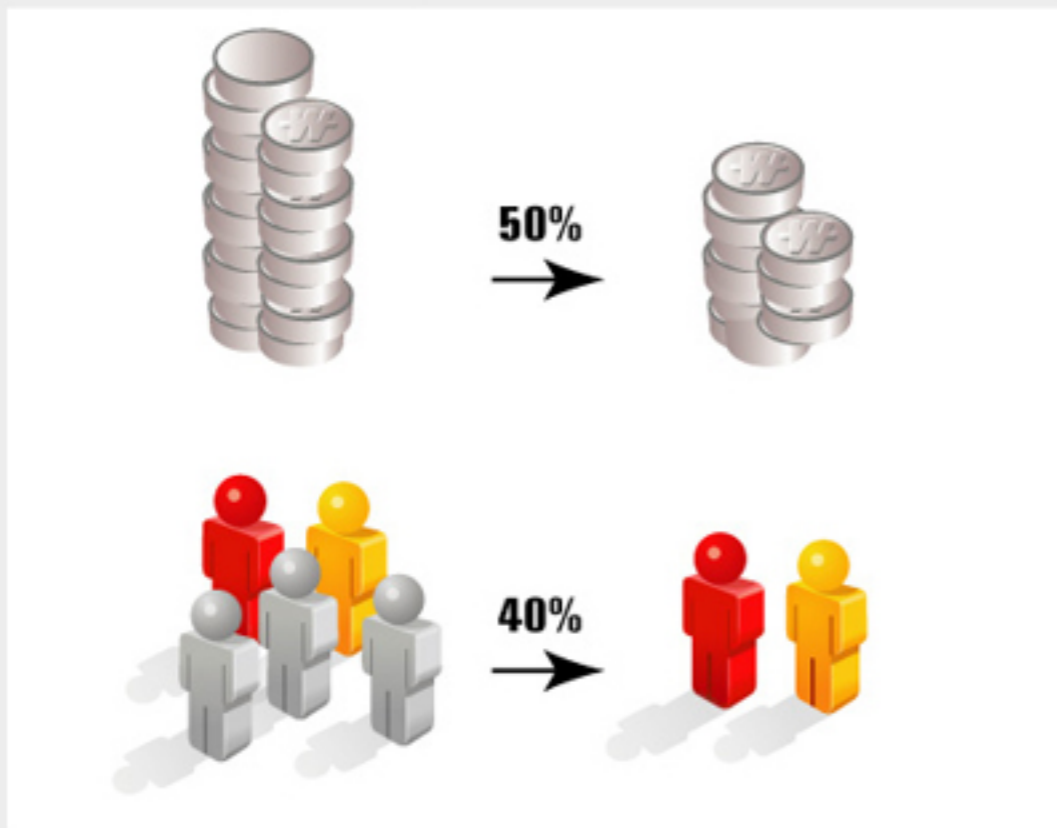
- 1/3" Sony Double Scan CCD
- 480TVL, TDN (ICR)
- WDR, OSD, DSS, RS-485
- 24VAC/12VDC Dual Power Supply

Benefits of CNB's UTP Camera

- Built-in UTP Transmitter
- Better interference rejection than coax
- UTP is less expensive than dedicated coax
- Physically smaller than coax
- Easier installation and reconfiguration



1. Easier installation & less expensive than dedicated coax



2. Minimizes the picture quality loss in long-distance transmission



Using Coaxial Cable



Using UTP Cable

UTP Transmission is useful in situations where runs longer than a couple of hundred meters have to be made.

UTP Camera Line-Up

A1568xLTP	30x Zoom UTP Camera	30x Optical/10x Digital, TDN(ICR), DSS, RS-485/PTZ Controller interface, 24VAC/12VDC
Ax808TP	26x Zoom UTP Camera	26x Optical/10x Digital, TDN(ICR), RS-485/PTZ Controller interface, 24VAC/12VDC
A1268xLTP (A1268xTP)	22x Zoom UTP Camera	22x Optical/10x Digital, DSS, RS-485/PTZ Controller interface, 24VAC/12VDC
Ax127LTP (Ax127TP)	16x Zoom UTP Camera	16x Optical/12x Digital, DSS, RS-485/PTZ Controller interface, 24VAC/12VDC
Gx605TP	WDR UTP Box Camera	480TVL, TDN(ICR), WDR, OSD, DSS, RS-485, 24VAC/12VDC
VZD207xLTP	AF Zoom Dome UTP Camera	22x Optical/10x Digital, DSS, RS-485, 3-Axis, 24VAC/12VDC
VZD127xLTP	AF Zoom Dome UTP Camera	16x Optical/10x Digital, DSS, RS-485, 3-Axis, 24VAC/12VDC
V2315xVFTP	Vandal UTP Dome Camera	550TVL, TDN(ICR), 2.9~10mm Vari-focal Lens, Dual Mount, 3-Axis, 24VAC/12VDC, Ø100
V2315xVDTP	Vandal UTP Dome Camera	550TVL, 4~9mm Vari-focal Lens, Dual Mount, 3-Axis, 24VAC/12VDC, Ø100
V2315xTP	Vandal UTP Dome Camera	550TVL, 3.8mm Fixed Lens, Dual Mount, 3-Axis, 24VAC/12VDC, Ø100
V1315xVFTP	Vandal UTP Dome Camera	550TVL, TDN(ICR), 2.9~10mm Vari-focal Lens, 3-Axis, 24VAC/12VDC, Ø100
V1315xVDTP	Vandal UTP Dome Camera	550TVL, 4~9mm Vari-focal Lens, 3-Axis, 24VAC/12VDC, Ø100
V1315xTP	Vandal UTP Dome Camera	550TVL, 3.8mm Fixed Lens, 3-Axis, 24VAC/12VDC, Ø100
D2315xVFTP	UTP Dome Camera	550TVL, TDN(ICR), 2.9~10mm Vari-focal Lens, 3-Axis, 24VAC/12VDC, Ø100
D2315xVDTP	UTP Dome Camera	550TVL, 4~9mm Vari-focal Lens, 3-Axis, 24VAC/12VDC, Ø100
D2315xTP	UTP Dome Camera	550TVL, 3.8mm Fixed Lens, 3-Axis, 24VAC/12VDC, Ø100
V2315xIRTP	Vandal UTP Dome Camera	550TVL, 3.8mm Fixed Lens, 24 IR LEDs, 24VAC/12VDC, 3-Axis, Dual Mount, 24VAC/12VDC, Ø100
V1315xIRTP	Vandal UTP Dome Camera	550TVL, 3.8mm Fixed Lens, 24 IR LEDs, 24VAC/12VDC, 3-Axis, Dual Mount, 24VAC/12VDC, Ø100
D2315xIRTP	UTP Dome Camera	550TVL, 3.8mm Fixed Lens, 24 IR LEDs, 24VAC/12VDC, 3-Axis, Dual Mount, 24VAC/12VDC, Ø100

* The lowercase "x" in the model name represents the "N"(NTSC type) or "P"(PAL type).

SD1710N/SD1710P

Smoke Detector Type Covert Camera



FEATURES

- 1/3" SONY Super HAD CCD
- High Resolution : 480 TV Lines
- Built-in Fixed Lens (f=3.8mm)
- Min. Illumination : 0.3Lux
- Auto White Balance, AGC
- 2-Axis Movement
- 12VDC

OPTIONAL MODEL

- SD1710NA/SD1710PA : 480 TV Lines, Audio Function
- SD1700N/SD1700P : 380 TV Lines
- SD1700NA/SD1700PA : 380 TV Lines, Audio Function

CN330IR/CP330IR

BusTop-Cam(for Vehicle)



FEATURES

- 1/3" SONY Super HAD CCD
- Super High Resolution : 550 TV Lines
- Built-in Fixed Lens (f=2.45mm)
- Min. Illumination : Day (0.1Lux), Night (0Lux, IR LED On)
- Auto White Balance, AGC
- Built-in IR LED (11EA) & Sensor (1EA)
- IR LED Visible Range : Max.10m
- Built-in Audio Function
- Mirror On/Off (Slide Switch)
- 12VDC

OPTIONAL MODEL

- CN258IR/CP258IR : 380 TV Lines

SN330IR/SP330IR

Sensor-Cam



FEATURES

- 1/3" SONY Super HAD CCD
- Super High Resolution : 550 TV Lines
- Built-in Fixed Lens (f=3.8mm)
- Min. Illumination : Day (0.1Lux), Night (0Lux, IR LED On)
- Auto White Balance, AGC
- Built-in IR LED (11EA) & Sensor (1EA)
- IR LED Visible Range : Max.10m
- Built-in Audio Function
- 3-Axis Movement
- 12VDC

OPTIONAL MODEL

- SN258IR/SP258IR : 380 TV Lines

BN258IR/BP258IR

Bullet Camera



with Sunshield (Option)

**FEATURES**

- 1/3" SONY Super HAD CCD
- Normal Resolution : 380 TV Lines
- Built-in Fixed Lens (f=6.0mm)
- Min. Illumination : Day (0.1Lux), Night (0Lux, IR LED On)
- Auto White Balance, AGC
- Built-in IR LED (9EA) & Sensor (1EA)
- IR LED Visible Range : Max. 7m
- Weatherproof Housing
- 12VDC

OPTIONAL MODEL

- **BN258ST/BP258ST** : without IR LED and Sensor

MN1310VD/MP1310VD

Miniature Camera (38 x 38 Size)

**FEATURES**

- 1/3" SONY Super HAD CCD
- Super High Resolution : 550 TV Lines
- Built-in DC Iris Vari-focal Lens (f=4~9mm)
- Min. Illumination : 0.3Lux
- Auto White Balance
- AGC/BLC/Flickerless (On/Off)
- 38x38 Board Size
- Fixed Lens (Option) : MN1310/MP1310
- Pinhole Lens (Option) : MN1310P/MP1310P
- 12VDC

OPTIONAL MODEL

- **MN258/MP258** : 380 TV Lines, Fixed Lens
- **MN258VD/MP258VD** : 380 TV Lines, DC Iris Vari-focal Lens
- **MN258P/MP258P** : 380 TV Lines, Pinhole Lens

MN1710/MP1710

Miniature Camera (32 x 32 Size)

**FEATURES**

- 1/3" SONY Super HAD CCD
- High Resolution : 480 TV Lines
- Built-in Fixed Lens (f=3.8mm)
- Min. Illumination : 0.3Lux
- Auto White Balance
- AGC/BLC (On/Off)
- 32x32 Board Size
- Pinhole Lens (Option) : MN1710P/MP1710P
- 12VDC

OPTIONAL MODEL

- **MN1700/MP1700** : 380 TV Lines
- **MN1700P/MP1700P** : 380 TV Lines, Pinhole Lens
- **MN1010B/MP1010B** : 380 TV Lines, Monochrome
- **MN1010BP/MP1010BP** : 380 TV Lines, Monochrome, Pinhole Lens

EN600VF/EP600VF



EN600/EP600

- 1/3" SONY Double Scan CCD
- 480TVL, TDN(ICR), DSS, 0.0003 Lux
- Built-in DC Iris Vari-focal Lens (f=3.8~9.5mm)
- WDR (Wide Dynamic Range), Privacy Zone
- 3x Digital Zoom, OSD, 38x38 Three Boards
- Box Camera Module (Option, EN600/EP600)

E1810N/E1810P



- 1/3" SONY Super HAD CCD
- 550TVL, DSS, 0.008 Lux
- Built-in Fixed Lens
- SDNR (Super Digital Noise Reduction)
- 38x38 One Board

EN300/EP300



EN300VF/EP300VF

EN300C/EP300C

- 1/3" SONY Super HAD CCD
- 480TVL, TDN(ICR), 0.3 Lux
- Built-in Fixed Lens, 38x38 Two Boards
- Varifocal Lens Type (Option, EN300VF/EP300VF)
- C/CS Mount (Option, EN300C/EP300C)

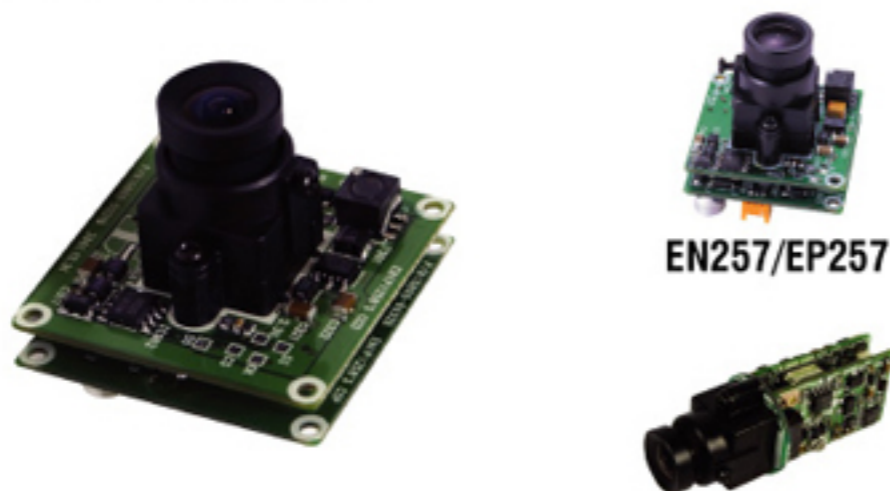
E1310NF/E1310PF



E1310N/E1310P

- 1/3" SONY Super HAD CCD
- 550TVL, TDN(ICR), 0.1 Lux
- Built-in Fixed Lens, 38x38 Two Boards
- without TDN(ICR) (Option, E1310N/E1310P)
- Varifocal Lens Type (Option, E1310NVF/E1310PVF)

EN258/EP258



EN257/EP257

BN258/BP258

- 1/3" SONY Super HAD CCD
- 380TVL, 0.1 Lux
- Built-in Fixed Lens, 38x38 Two Boards
- 32x32 Two Boards (Option, EN257/EP257)
- D&N(IR Pass Filter) (Option, EN258DNF/EP258DNF)
- Varifocal Lens Type (Option, EN258VD/EP258VD)
- Bullet Camera Module (Option, BN258/BP258)

E1410N/E1410P E1710N/E1710P E2010NB/E2010PB



E1410N/E1410P E1710N/E1710P E2010NB/E2010PB

- 480TVL, 38x38 Two Boards (E1410N/E1410P)
- 480TVL, 32x32 One Board (E1710N/E1710P)
- 380TVL, 32x32 One Board (E1700N/E1700P)
- 580TVL, Monochrome, 38x38 One Board (E2010NB/E2010PB)
- 580TVL, Monochrome, 32x32 One Board (E2010NB/E2010PB)



FEATURES

- 1/3" SONY Progressive Scan CCD
- 600 TV Lines (Max. 700 TV Lines)
- 12x Optical Power Zoom Lens
- 8x Digital Zoom (Option)
- OSD (On Screen Display), Freeze Function
- Focus, Exposure, White Balance : Push Auto/Manual
- Freeze, H/V Reverse, Image Save/Recall 9 Cuts
- Output : RGB (XGA, SVGA)
- Interface : USB1.1 or USB2.0, RS-232C

Applications

Video Presenter, Vision Aid



OPTIONAL MODEL

- **MV100** : 1/4" Progressive Scan CCD
500TVL, 22x Optical/8x Digital
- **BX100G** : Progressive Scan Board Camera
38x38 Size Three Boards
- **I/O Board** : Interface Board for Progressive Scan Camera Series



MV100

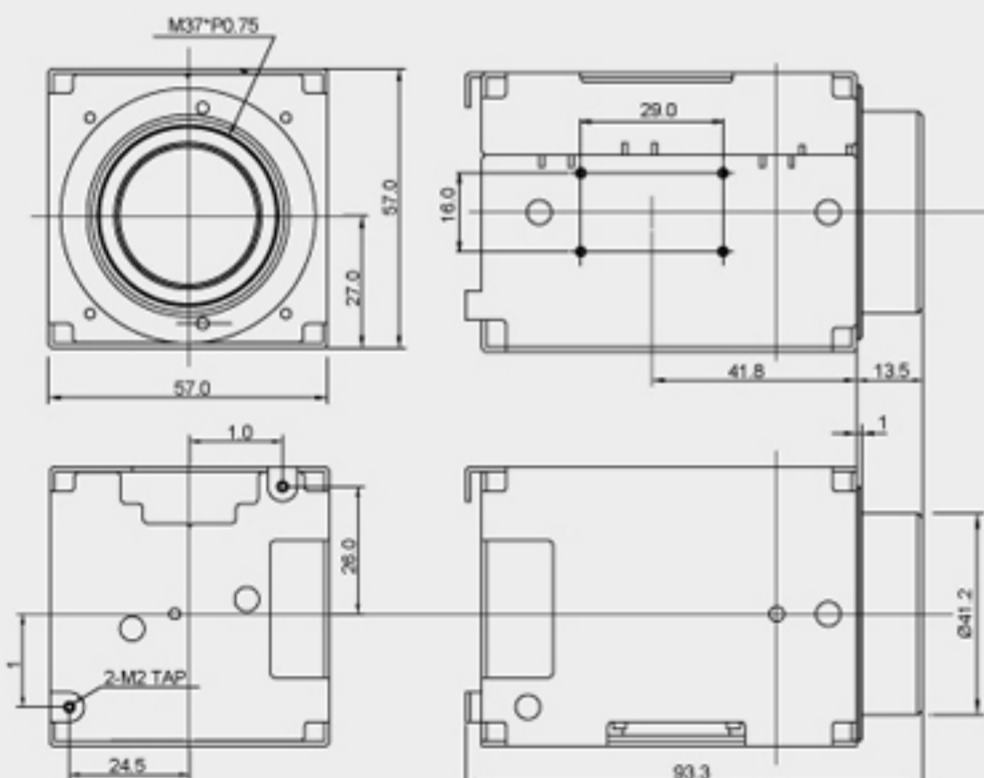


BX100G



I/O Board

DIMENSIONS



SPECIFICATIONS

Model	MX200G
Image Sensor	1/3" SONY Progressive Scan CCD
Total Pixels No.	1,077 (H) x 788 (V) 850K
Horizontal Resolution	600 TV Lines (Max. 700 TV Lines)
Lens	12x Optical Zoom (F=1.8, f=5.4~64.8mm) Video AF
Digital Zoom Ratio	8x (Option)
Frame Rate	15 Frame/sec (Max. 20 Frame/sec)
Focus Mode	Push Auto/Manual (Near/Far)
Iris	Push Auto/Manual
White Balance	Push Auto/Manual (Red, Blue : Up/Down)
Brightness	Manual (Up/Down)
Presets	4 Steps (Focus and Zoom Position Save)
Text/Image	Selectable
Shutter Speed	1/60~1/10,000sec
Freeze, Negative/Positive	Built-in
Reverse	Horizontal/Vertical Reverse
Black&White	Built-in
Image Save&Recall	9 Cuts
Image Split	9 Split
Image Rotation	90°, 270°
Output	RGB (XGA, SVGA)
Camera Control	RS-232C, Remote Controller, Serial Key, USB1.1/2.0
OSD	On/OFF
Supplied Voltage	DC9V~15V (Recommendation DC12±0.5V)
Power Consumption	Max. 6W/500mA
Dimensions	57.0(W) x 57.0(H) x 93.3(D) mm
Weight	Approx. 320.5g

ID2810NVF/ID2810PVF



FEATURES

- 1/3" SONY Super HAD CCD
- Super High Resolution : 550TV Lines
- Built-in DC Iris Vari-focal Lens (f=4~9mm)
- TDN(ICR)
- Electronic Sensitivity-up (DSS)
- SDNR(Super Digital Noise Reduction)
- RTOS, Max. 30fps
- Embedded Streaming Video & Web Server
- Bi-directional audio communication
- Supplies View & Recording/Control SW
- 12VDC

OPTIONAL MODEL

- **WD2810NVF/WD2810PVF** : Support 802.11b/g Wifi
- **ID2410NVD/ID2410PVD**
: 480TVL, without (TDN(ICR), D-Zoom, SDNR)
- **WD2410NVD/WD2410PVD**
: 480TVL, Support 802.11b/g Wifi, without (TDN(ICR), D-Zoom, SDNR)
- **ID2700N/ID2700P**
: 380TVL, Built in Fixed Lens(3.8mm), without (TDN(ICR), D-Zoom, SDNR)
- **WD2700N/WD2700P**
: 380TVL, Support 802.11b/g Wifi, Fixed Lens(3.8mm), without (TDN(ICR), D-Zoom, SDNR)

IG1810NF/IG1810PF



FEATURES

- 1/3" SONY Super HAD CCD
- Super High Resolution : 550TV Lines
- TDN(ICR)
- Electronic Sensitivity-up (DSS)
- SDNR(Super Digital Noise Reduction)
- RTOS, Max. 30fps
- Embedded Streaming Video & Web Server
- Bi-directional audio communication
- Supplies View & Recording/Control SW
- 12VDC

OPTIONAL MODEL

- **WG1810NF/WG1810PF** : Support 802.11b/g Wifi
- **IG1410N/IG1410P** : 480TVL, without (TDN(ICR), D-Zoom, SDNR)
- **WG1410N/WG1410P**
: 480TVL, Support 802.11b/g Wifi, without (TDN(ICR), D-Zoom, SDNR)
- **IG1000N/IG1000P**
: 380TVL, Built in Fixed Lens(3.8mm), without (TDN(ICR), D-Zoom, SDNR)
- **WG1000N/WG1000P**
: 380TVL, Support 802.11b/g Wifi, without (TDN(ICR), D-Zoom, SDNR)

Model	ID2810NVF / ID2810PVF
CCD Camera	
Signal System	NTSC: ID2810NVF, PAL : ID2810PVF
Scanning System	2:1 Interlace
Scanning Frequency (H)	NTSC: 15.734kHz, PAL: 15.625kHz
Scanning Frequency (V)	NTSC: 59.94kHz, PAL: 50Hz
Image Sensor	1/3" SONY Super HAD CCD
Sync. System	Internal
Total Pixel Number	NTSC: 811(H) x 508(V) 410K, PAL: 795(H) x 596(V) 470K
Effective Pixels Number	NTSC: 768(H) x 494(V) 380K, PAL: 752(H) x 582(V) 440K
Horizontal Resolution	550 TV Lines
Video Output Level	1.0Vp-p (75Ω , composite)
S/N Ratio	More than 50dB (AGC Off)
Lens	DC Iris Vari-focal lens (f=4-9mm, F1.5)
Digital Zoom Ratio	2x Digital Zoom(On/Off)
Day&Night Type	Electronic Sensitivity-up(DSS), ICR(AGC Type)
Min. Illumination	0.3Lux(Color) / 0.1Lux(B/W) / 0.008Lux(DSS x32, Color) / 0.001Lux(DSS x32, B/W)
Digital Noise Reduction (SDNR)	Auto
AGC	On/Off
BLC, Flickerless	On/Off
White Balance	Auto/Hold/Manual
Electronic Shutter Speed	NTSC: 1/60sec, PAL: 1/50sec
System	
CPU	32bit Embedded RISC Process
OS	Embedded RTOS
Video / Audio	
Compression	Video : Mpeg4, Audio : ADPCM
Frame rate	Max. D1 30fps(NTSC), 25fps(PAL)
Resolution	NTSC: 704 x 480, 352 x 240, 176 x 144, PAL: 704 x 576, 352 x 288, 176 x 144
Audio way port	2way Audio
Network	
Protocol	Http, TCP/IP, ARP, FTP, PPP, SMTP, ICMP, DHCP, RTP, RTSP, SDP, PPPoE
LAN Interface	Ethernet 10/100 Base-T (RJ-45 Type)
Browser	Internet Explorer 5.0 or Higher
OS	Windows 2000 Professional / Windows XP Professional / Windows XP Home Edition
Application	Web Viewer (Window Web Browser Base) XNET-NVR
Remote system upgrade	Support Manual Upgrade
Additional Function	
Motion detection	Support 3 Region
Wireless connection	IEEE 802.11b/g (OPTION: WD1810xF)
DDNS	X-DSL / Cable modem DDNS server (www.ip DVRfree.com)
Install unit	IP-Installer MAC Clone
Security Function	
Access level setup	Admin define level user setup Authentication for monitoring Video / Audio Directional Level Viewing
Network Security	IP Filtering
DIO	
Alarm Input/Output	1 Input (NC/NO Selectable) / 1 Output (Relay)
Mechanical	
Operating Temperature	0°C - 40°C
Power	DC 12V(7-23V) Max. 8W

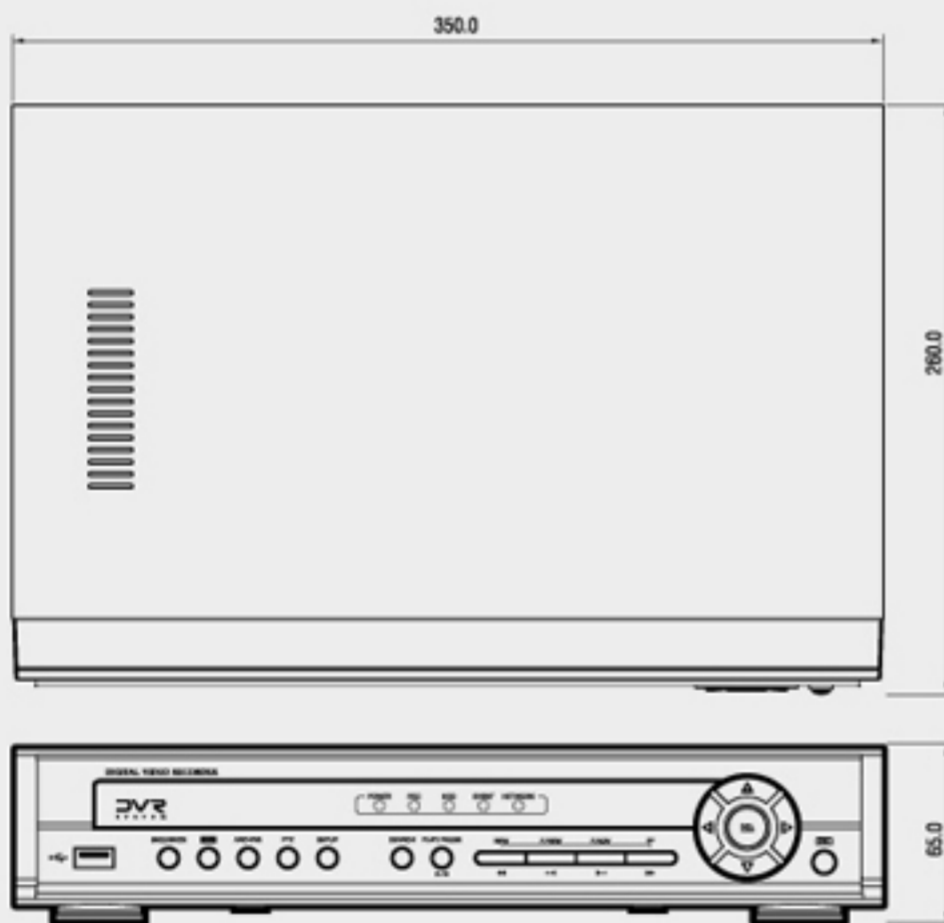
Model	IG1810NF / IG1810PF
CCD Camera	
Signal System	NTSC: IG1810NF, PAL : IG1810PF
Scanning System	2:1 Interlace
Scanning Frequency (H)	NTSC: 15.734kHz, PAL: 15.625kHz
Scanning Frequency (V)	NTSC: 59.94kHz, PAL: 50Hz
Image Sensor	1/3" SONY Super HAD CCD
Sync. System	Internal
Total Pixel Number	NTSC: 811(H) x 508(V) 410K, PAL: 795(H) x 596(V) 470K
Effective Pixels Number	NTSC: 768(H) x 494(V) 380K, PAL: 752(H) x 582(V) 440K
Horizontal Resolution	550 TV Lines
Video Output Level	1.0Vp-p (75Ω , composite)
S/N Ratio	More than 50dB (AGC Off)
Lens Mount	C/CS Mount, DC/Video Iris (Not Include)
Digital Zoom Ratio	2x Digital Zoom(On/Off)
Day&Night Type	Electronic Sensitivity-up(DSS), ICR(AGC Type)
Min. Illumination	0.3Lux(Color) / 0.1Lux(B/W) / 0.008Lux(DSS x32, Color) / 0.001Lux(DSS x32, B/W)
Digital Noise Reduction (SDNR)	Auto
AGC	On/Off
BLC, Flickerless	On/Off
White Balance	Auto/Hold/Manual
Electronic Shutter Speed	NTSC: 1/60 - 1/120,000sec, PAL: 1/50-1/120,000sec
System	
CPU	32bit Embedded RISC Process
OS	Embedded RTOS
Video / Audio	
Compression	Video : Mpeg4, Audio : ADPCM
Frame rate	Max. D1 30fps(NTSC), 25fps(PAL)
Resolution	NTSC: 704 x 480, 352 x 240, 176 x 144, PAL: 704 x 576, 352 x 288, 176 x 144
Audio way port	2way Audio
Network	
Protocol	Http, TCP/IP, ARP, FTP, PPP, SMTP, ICMP, DHCP, RTP, RTSP, SDP, PPPoE
LAN Interface	Ethernet 10/100 Base-T (RJ-45 Type)
Browser	Internet Explorer 5.0 or Higher
OS	Windows 2000 Professional / Windows XP Professional / Windows XP Home Edition
Application	Web Viewer (Window Web Browser Base) XNET-NVR
Remote system upgrade	Support Manual Upgrade
Additional Function	
Motion detection	Support 3 Region
Wireless connection	IEEE 802.11b/g (OPTION: WG1810xF)
DDNS	X-DSL / Cable modem DDNS server (www.ip DVRfree.com)
Install unit	IP-Installer MAC Clone
Security Function	
Access level setup	Admin define level user setup Authentication for monitoring Video / Audio Directional Level Viewing
Network Security	IP Filtering
DIO	
Alarm Input/Output	1 Input (NC/NO Selectable) / 1 Output (Relay)
Mechanical	
Operating Temperature	0°C - 40°C
Power	DC 12V(7-23V) Max. 8W



FEATURES

- MPEG-4 Video Compression
- Real Time Recording
- TRIPLEX (Simultaneous Record, Play, Transmission)
- Powerful Networking
- RTOS (Real Time Operation System)
- Reliable File System
- 4 Channels Video Input
- 4 Channels Audio Recording

DIMENSIONS



SPECIFICATIONS

Model	SDF1212	
Video	Input	4 Composite BNC (NTSC/PAL) - 1.0Vp-p
	Output (Selectable)	1 Composite BNC (NTSC/PAL) - 1.0Vp-p 1 VGA
Audio	Input & Output	4 Line In (RCA) & 1 Line Out (RCA)
Alarm	Input & Output	4 & 1
OS		RTOS
Record	Compression	MPEG-4
	Video Format	NTSC PAL
	Resolution	360x240, 720x480 360x288, 720x576
	Recording	MAX. 120fps/4CH(360x240/CH) MAX. 100fps/4CH(360x288/CH)
	Speed	MAX. 30fps/4CH(720x480/CH) MAX. 25fps/4CH(720x576/CH)
	Mode	Manual, Motion, Sensor, and Schedule
	Method	By Resolution, Frame rate, & Quality
Multi Task	TRIPLEX	Record, playback and transfer
Control Unit		IR Type Remote Control and Front keys
Serial Port	Console	1 RS-232C
	Camera Control	1 RS-485
Network	Interface	ADSL, LAN
	Dynamic IP	DDNS
	LAN Port	1 10/100-base T Ethernet
	Functions	Live, Search, P/T/Z/F
HDD	Capacity	1EA Max. 250GB
	Network	Still Image & Video data
Backup	USB Stick/CD-RW	Still Image & Video data
	Adaptor	Input: AC100-240V, 50/60Hz, 1.5A
Dimensions (WxHxD)	350 x 65 x 260mm	



FEATURES

- MPEG-4 Video compression
- TRIPLEX (Simultaneous Record, Play, Transmission)
- Multi-Plexing Operation
- Multi Channels Playbacks (4/9/16)
- RTOS (Real Time Operation System)
- USB port / CDRW for AVI video backup
- Video Loss Check
- Pre & Post Recording
- Built-in CD-RW

SPECIFICATIONS

Model			SDF1212CD	SDN2712CD	SDS4812CD
Video	Input	Composite	4CH, 1.0Vp-p, 75Ω	9CH, 1.0Vp-p, 75Ω	16CH, 1.0Vp-p, 75Ω
		Signal Format	NTSC/PAL		
	Output	Main Monitor	1CH BNC, 1CH VGA	1CH BNC, 1CH S-VIDEO, 1CH VGA	
		Output Level	Composite 1.0Vp-p + _0.2, 75Ω		
		Signal Format	NTSC/PAL & VGA		
	Etc Output		9/16CH Loop-back, 1CH SPOT		
Audio	Input & Output		4CH Line input & 1CH Line output		
	Audio Codec		G.711		
Alarm	Sensor Input		4	9	16
	Alarm Output		1	4	4
Recording	Compression		MPEG-4		
	Frame Rate	NTSC/PAL : 360x240/288	MAX.120/100fps	MAX.120/100fps	MAX.120/100fps
		NTSC/PAL : 720x240/288		MAX.60/50fps	MAX.60/50fps
		NTSC/PAL : 720x480/576	MAX. 30/25fps	MAX.30/25fps	MAX.30/25fps
Recording Mode		Continuous / Schedule / Motion / Sensor / Manual			
Motion Detection		Motion detection setup by Grid			
Display	Frame Rate		NTSC/PAL : 30/25fps per channel, 60fields		
Playback	Multi-Decoding		1 & 4	1,4, & 9	1,4,9, & 16
	Search Mode		Event, Archive, Log		
Storage	Internal HDD (Option)	Interface Type	EIDE/ATA133		
		Max Capacity of 1	500GB	500GB	500GB
		Max HDD Number	1	2	2
	Backup	USB2.0 port	Yes		
CDRW		Yes			
Serial port	Console & External Modem		1 RS-232C (9pin D-SUB connector)		
	Camera control		1 RS-485/422 (4 Terminal Block)		
	Dynamic IP support		Yes		
Network	Network Interface		10/100 base-T Ethernet (RJ-45)		
	Functions		Live, Search, Backup, PTZF Camera Control, CMS		
Dimensions	SDF1212CD/SDN2712CD/SDS4812CD		430(W) x 88(H) x 260(D) mm		
Power			12VDC, 5A	AC100~127V/200~240V, 50-60Hz	



Key Features

- Max. 16Ch Video Inputs
- Maximum Internal Storage Capacity of 1TB
- Supports Multiple Resolution up to 720x480(NTSC), 720x576(PAL)
- Monitor Viewing
 - : Motion Detection, E-map Function, Privacy Zone Masking
- Supports Audio Recording
- Supports Multiple Viewer (Single Viewr, PDA Viewr, Web Client)
- Image Compression : MPEG-4
- CMS Program based on the Network Management System
- Two-way Audio Communication

CNB DVR series offers high-performance with an array of features and provides a high-end product. CNB DVRs also provide distinct user-friendly functions and features such as high quality video resolution, real time monitoring and a max 240/200fps (NTSC/PAL) recording speed.

The multiple search and save methods for recorded events and automatic backup make the CNB DVR series one of the most unique in the surveillance industry. By using audio recording and external backup (FDD or CD-RW), it provides an easy to use solution for your surveillance needs.

Our CMS Program based on the Network Management System which allows; live monitoring, recording, searching and control up to 50 DVRs simultaneously and display up to 36 cameras at the same time. In addition, two-way audio (voice) communication, which operates based on the network connection, enable users to speak with each other.

SPECIFICATIONS

Model	DSE0606	DSE1212	DSE2424	DSS0606	DSS1212	DSS2424	DSS4806	DSS4812	DSS4824	DSS4848
Video Input	8CH			16CH						
Display(fps)	60	120	240	60	120	240	Real Time Display			
Recording(fps)	60	120	240	60	120	240	60	120	240	480
Audio Recording	2CH (Default)									
Network	LAN, PSTN, xDSL									
DI/DO(Sensor/Alarm)	8 In / 4 Out									
PTZ Control	RS-232, RS-422/485									
Video Compression	MPEG-4									
OS	Windows XP									
HDD	250GB (Max. 1TB)									
Case	Industrial 4U Size Case									

DVR Main Software



Surveillance Mode

- Display 1,4,6,8,9,10,13,16CH Screen Split
- Max. 480fps(400fps:PAL) Realtime Monitoring & Recording
- Motion / Sensor / Terror Prevention Recording Mode
- PTZ control up to 16 Cameras
- 1CH Viewer
- Log/Event Viewer
- E-Map(Full Screen)



Search Mode

- Panorama/Object/Event Search
- Book Mark Search



Backup Mode / Backup Viewer

- Copy the Recorded Media Data to Another Media such as CD-ROM or DVR-ROM
- Backup viewer allows easy file navigation and video function control



E-Map Function

- Displays the monitoring area on the electronic map, where operators can easily locate cameras, sensors and alarms

CMS(Central Monitoring Station)



Management

- 5EA DVR Connect via network (Max. 500EA Connect via network[Option])
- Remote DVR Configuration
- Remote PTZ Control
- Dynamic IP

Remote Surveillance

- Max. 64CH Live Display and Recording
- Drag and Drop Camera Positions
- E-map for Notifying Camera Positions and 1CH

Viewer

- Remote Search

Web Client Software



Management

- Display 1,4,6,8,9,10,13,16CH Screen Split
- Remote PTZ Control
- Monitoring Camera and Sensor Status

Remote Surveillance

- Picture Snapshot
- PDA Viewer

RBDS Series (RBDS 4812/4824/4848) - 16CH Realtime Combo Board



- Video Input : 16Ch
- Video Output : 1Ch (MUX)
- Realtime Display : 480fps (NTSC), 400fps (PAL)
- Recording
 - RBDS 4812 : 120fps (NTSC), 100fps (PAL)
 - RBDS 4824 : 240fps (NTSC), 200fps (PAL)
 - RBDS 4848 : 480fps (NTSC), 400fps (PAL)
- Resolution
 - NTSC : 320*240, 720*480
 - PAL : 320*288, 720*576
- Sensor Input/Alarm Output : Max. 16 Input/8 Output (Option : DIO-1608)
- Audio Input : Max. 16Ch (Option : Audio 16IN)
- Built-in RS-422/485, H/W Watch-Dog on Board
- Compression Algorithm: S/W MPEG-4
- WDM Device Driver and SDK
- OS Requirements: Windows 2000, XP

480fps Live display and 480fps Recording

The DVR Combo Capture Board RBDS Series provides Realtime Display (30fps of high quality video per channel) and MPEG-4 based video processing allows an outstanding recording speed of maximum 480fps (RBDS 4848), which exceeds most recording requirements.



BDS 2424/BDE 2424 - 16CH/8CH 240(200)fps Capture Board



- Video Input : 16Ch (BDS 2424), 8Ch (BDE 2424)
- Video Output : 1Ch (Switching)
- Display : 240fps (NTSC), 200fps (PAL)
- Realtime Display (Option: Overlay 480)
- Recording : 240fps (NTSC), 200fps (PAL)
- Resolution
 - NTSC : 320*240, 720*480
 - PAL : 320*288, 720*576
- Sensor Input/Alarm Output : Max. 16 Input/8 Output (Option: DIO-1608)
- Audio Input : 1Ch from 1 MIC or 2 Line Level
- Built-in RS-422/485, H/W Watch-Dog on Board
- Compression Algorithm: S/W MPEG-4
- WDM Device Driver and SDK
- OS Requirements: Windows 2000, XP

BDS 1212/BDE 1212 - 16CH/8CH 120(100)fps Capture Board



- Video Input : 16Ch (BDS 1212), 8Ch (BDE 1212)
- Video Output : 1Ch (Switching)
- Display : 120fps (NTSC), 100fps (PAL)
- Realtime Display (Option: Overlay 480)
- Recording : 120fps (NTSC), 100fps (PAL)
- Resolution
 - NTSC : 320*240, 640*480
 - PAL : 320*288, 720*576
- Sensor Input/Alarm Output : Max. 16 Input/8 Output (Option: DIO-1608)
- Audio Input : Max. 8Ch (Option : Audio 8IN)
- Built-in RS-422/485, H/W Watch-Dog on Board
- Compression Algorithm: S/W MPEG-4
- WDM Device Driver and SDK
- OS Requirements: Windows 2000, XP

BDS 0606/BDE 0606 - 16CH/8CH 60(50)fps Capture Board



- Video Input : 16Ch (BDS 0606), 8Ch (BDE 0606)
- Video Output : 1Ch (Switching)
- Display : 60fps (NTSC), 50fps (PAL)
- Realtime Display (Option: Overlay 480)
- Recording : 60fps (NTSC), 50fps (PAL)
- Resolution
NTSC : 320*240, 640*480
PAL : 320*288, 720*576
- Sensor Input/Alarm Output : Max. 8 Input/4 Output (Option: DIO-0804)
- Audio Input : Max. 8Ch (Option : Audio 8IN)
- Built-in RS-422/485, H/W Watch-Dog on Board
- Compression Algorithm: S/W MPEG-4
- WDM Device Driver and SDK
- OS Requirements: Windows 2000, XP

BDF 0303 - 4CH 30(25)fps Capture Board



- Video Input : 4Ch
- Video Output : 1Ch (Switching)
- Display : 30fps (NTSC), 25fps (PAL)
- Recording : 30fps (NTSC), 25fps (PAL)
- Resolution
NTSC : 320*240, 640*480
PAL : 320*288, 720*576
- Sensor Input/Alarm Output : Max. 4 Input/4 Output (Option: DIO-0804)
- Audio Input : 1Ch from 1 MIC or 2 Line Level
- Built-in RS-422/485, H/W Watch-Dog on Board
- Compression Algorithm: S/W MPEG-4
- WDM Device Driver and SDK
- OS Requirements: Windows 2000, XP

BDF 0303m - 4CH Mini Capture Board



- Video Input : 4Ch
- Display & Recording
Using only 1Ch : 30fps (NTSC), 25fps (PAL)
Using more than 2Ch : 6fps (NTSC), 6fps (PAL)
- Resolution
NTSC : 320*240, 640*480
PAL : 320*288, 720*576
- Audio Input : 1Ch on Board
- Built-in RS-422/485, H/W Watch-Dog on Board
- Compression Algorithm: S/W MPEG-4
- WDM Device Driver and SDK
- OS Requirements: Windows 2000, XP

DIO-1608/0804 - Sensor Input/Alarm



DIO1608

DIO0804

- DIO-1608 : 16 Sensor Input / 8 Alarm Output
- DIO-0804 : 8 Sensor Input / 4 Alarm Output

Overlay 480 - Realtime Display Board



- Display Rate Change
BDE 0606/BDS 0606 + Overlay 480 : 60(50)fps > 480(400)fps
BDE 1212/BDS 1212 + Overlay 480 : 120(100)fps > 480(400)fps
BDE 2424/BDS 2424 + Overlay 480 : 240(200)fps > 480(400)fps

Audio 16IN/8IN - Audio Board



Audio 16IN

Audio 8IN

- Audio 16IN : 16 Audio Input (1 Board)
- Audio 8IN : 8 Audio Input (2 Boards)

VARI-FOCAL / FIXED LENS

Lens

GL0506AV/GL2506AV/GL2812AV/GL3085AV/GL3308AV/GL7550AV

DC Auto Iris Vari-focal Lens



GL0560AV



GL2506AV



GL2812AV



GL3085AV



GL3308AV



GL7550AV

Model	GL0560AV	GL2506AV	GL2812AV	GL3085AV	GL3308AV	GL7550AV
Lens Mount	CS					
Focal Length	5.0~60.0mm	2.5 ~ 6.0mm	2.8 ~ 12.0mm	3.0 ~ 8.5mm	3.3 ~ 8.0mm	7.5 ~ 50mm
Back Focal Length	7.42mm	6.24mm	6.72mm	7.94 ~ 13.96mm	8.81mm	11.96 ~ 9.61mm
F Number	1.6	1.4	1.4	1.0	1.4	1.3
Image Format	1/3"					
Operation Range	Iris	F1.4 ~ F360	F1.4 ~ F360	F1.4 ~ F360	F1.0 ~ F360	F1.4 ~ F360
	Focus	0.3m ~ ∞	0.3m ~ ∞	0.3m ~ ∞	0.2m ~ ∞	0.3m ~ ∞
Control	Iris	DC (Auto)				
	Focus	Manual				
	Zoom	Manual				
Operating Temperature	-10°C ~ +50°C					
Weight (Approx.)	123g	51g	61g	54g	47g	68g

EVD0416F/EVD0816F/EVD1216F

Fixed Lens



EVD0416F



EVD0816F



EVD1216F

Model	EVD0416F	EVD0816F	EVD1216F
Angle of View	70.6°	33.4°	22.1°
Focal Length	4.0mm	8.0mm	12.0mm
Back Focal Length	7.69mm	11.65mm	8.3mm
F Number	1.6		
Image Format	1/3"		
Dimensions	30(∅)mm		

CL06

Conversion Lens



- x 0.6 Optical Zoom Wide Angle of View Conversion Lens
- for CNB 12x Zoom Camera

WVZB100



AF Zoom Dome Wall Mount Bracket

Applications



WDB100



Ø100 General/ Vandal-Resistant Dome Camera Bracket

Applications



WMB100



Wall Mount Bracket for Weatherproof Series (with Bracket Supporter)

WMB101



Wall Mount Bracket for Weatherproof Series (without Bracket Supporter)

WMS100



Wall Mount Bracket Supporter (BE3815xVR Optional Accessory)

UNIVERSAL CAMERA BRACKETS

Bracket

WMB50/WMB65/WMB80 Universal Wall, Ceiling, Pedestal Camera Mount



WMB50



WMB65



WMB80

WB100 Wall Mounting Bracket for Weatherproof Series (Outdoor)



WMB200 Wall Mounting Bracket for Indoor Applications



TC001/TC002/TC003 Aluminum Mounting Bracket Series for In/Outdoor Applications



TC001



TC002



TC003

CONTROLLER/DUMMY CAMERA

TX2000



- Control Keyboard, LCD Display and Joystick (3-Axis)
- LCD Display (4 Lines x 30 Characters)
- Recalls up to 255 Cameras
- Multiple Protocol Supported in Each Channel (Pelco-D, DRX-502 etc.)
- RS-485 Communication
- Supports Slave Keyboard (RJ-11 Jack)

TX1200



- Control Keyboard, LCD Display and Joystick (3-Axis)
- LCD Display (2 Lines x 16 Characters)
- Recalls up to 255 Cameras
- Multiple Protocol Supported in Each Channel
- Designed for Desktop Use (Mouse Control Available)
- RS-485/RS-422 Communications
- Supports USB Port

IRC200



- Small size and Wireless IR Remote controller
- RS-485 and RS-232C control
- Supports Pelco-D protocol
- PTZ Menu control (preset, tour, swing, speed adjustment)

IRC100



- Small size and Wireless IR Remote controller
- RS-485 control
- Supports Pelco-D protocol
- Used for slow speed Pan/Tilt Camera, Zoom Camera

DUMMY VANDAL DOME V2000/V1000

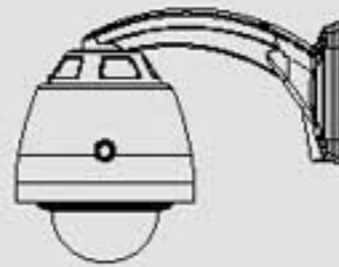
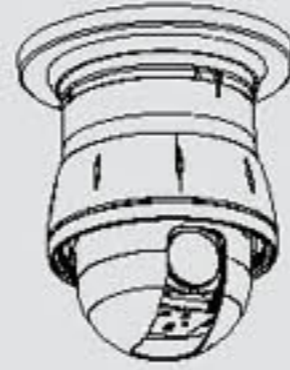


- 100mm Dummy Vandal-Resistant Dome Camera

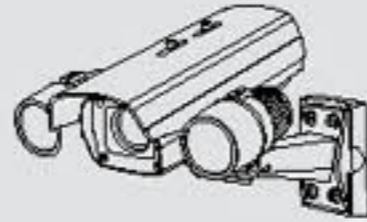
DUMMY DOME D2000/D1000



- 100mm, 85mm Dummy Dome Camera



CNB Digital Security Systems



CNB Technology Inc.

#701, Star Valley Bldg, 60-11 Gasan-Dong, Geumcheon-Gu,
Seoul, Korea, 153-777
Tel. +82-2-2109-1419 Fax. +82-2-2109-1414
E-Mail. sales@cnbttec.com
URL <http://www.cnbttec.com>

CNB Technology China

4~5/F., 4 Bldg Kingwingtat Technology Industry Park Gangtou Village,
Buji Town, Longgang District, Shenzhen, P. R.China
Tel. +86-755-89748314~17 Fax. +86-755-89748321
E-Mail. cnbchina@cnbttec.com

CNB Technology USA, Inc.

2310 East Artesia Blvd. Long Beach, CA 90805, USA
Tel. +1-562-728-8500 Fax. +1-562-728-8600
E-Mail. usa@cnbttec.com
URL <http://www.cnbusa.com>

Branch Office (Texas)

1201 Richardson Drive, Suite 115, Richardson, TX 75080, USA
Tel. +1-972-238-8832 Fax. +1-972-238-8830

Distributed by

Design and specifications are subject to change without notice.
(VER. 07.0306E)