

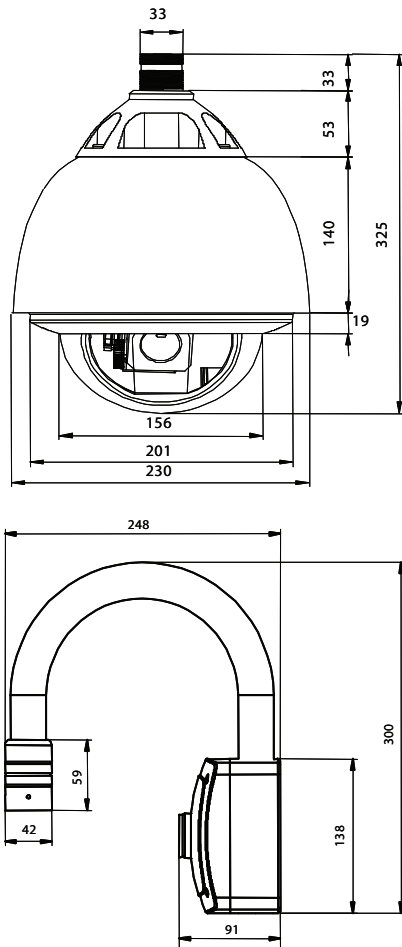
QSD-A180 (NTSC) / QSD-A181 (PAL)



18x Speed dome camera (Outdoor)



Dimensions (UNIT : mm)



Features

- Optical 18x, Digital 10x
- True Day & Night (ICR)
- 128 Preset Positions
- 8 Privacy zone
- 4 Pattern, 8 Group
- Alarm In/Out (8/4)
- Pelco D & P protocol
- Motion detection
- IP66, Weather proof

Specification

ITEM	QSD-A180	QSD-A181
Signal System	NTSC	PAL
Image Sensor	1/4" SONY CCD	
Max Pixels	410K (811H x 508V)	470K (795H x 596V)
Effective Pixels	380K (768H x 494V)	440K (752H x 582V)
Zoom	18x Optical zoom, 12x Digital zoom	
Focal length	F1.4(W), f=4.1~73.8mm	
S/N Ratio	More than 50dB (AGC Off)	
Horizontal Res.	480 TV Lines	
Min. Illumination	0.3 Lux (Day), 0.005 Lux (@50 IRE, F=1.6)	
White Balance	Auto / ATW / Indoor / Outdoor	
Day/Night	Auto	
Focus	Auto / Manual	
Iris	Auto / Manual	
Backlight	On / Off	
Pan/Tilt Range	360° / 90°	
Pan Speed	0.1 ~ 240 /sec (64 Levels)	
Preset point	128 Presets	
Preset Speed	Max 400° /sec	
Privacy Zone	8 zones	
Operating Temp.	-30°C ~ 50°C	
Communication	RS-485	
Alarm in/out	8 inputs / 4 output (optional)	
OSD	Built in	
Operation Humidity	Less than 90% RH	
Dimension	Dome: 152mm, Housing: 214x260(H)mm	
Weight	Approx 2.5 Kg	
Power consumption	AC 24V / 2.5A	

Optional model

- QSD-180 / QSD-181 : Indoor

Specification are subject to change without any prior notice.