

Key Points



Independent Camera Setup

Camera setup such as AWE, WB and etc can be configured on each preset view. Target spot in different distance and illumination can be watched with most preferred setup.



Micro-Step Technology

Due to the Micro-stepping technology, one step angle is divided by 256. Accordingly, high accuracy as well as ultra low sound noise (under 60dB) can be achieved. Micro-stepping technology enables ultra low speed down to 0.05°/s for high zoom operations.



Vector Driving

Utilizing Vector drive technology, Pan and Tilt motion is done with simultaneous and harmonious manner.



Vandal Proof Design

All housing is designed to withstand rugged environments. Aluminum die-casting enclosure and Poly Carbonate clear dome enables stable 24hours security tasks.



Weather Proof Design

Due to IP66 environment protection as well as built-in Fan & Heater, speed dome camera will serve you all the time regardless of rain, snow and storm.



Telemetry and Control

RTC (Real Time Clock) and Accurate Semiconductor Temperature sensor is deployed to measure the environment of the site of interest. Also, this measurement is displayed on OSD as well as used for Fan heater control.



Schedule Function

Owing to the RTC, functions such as Preset, Scan, Group, Pattern can be organized to predefined schedule. The Schedule is described by day, hour and min.



Quick installations and Maintenance

Neat terminals and DIP switches in the wall mount Junction box make the cabling easy and simple. Also, Owing to modular design, camera drive block is quick attachable for easy maintenance.

Main Feature

X444 / X300 ZOOM 	5.7" DOME
360° ENDLESS 	360°/s SPEED
DAY & NIGHT 	ON SCREEN DISPLAY
PRESET 128 	SCAN 8
PATTERN 4 	GROUP 8
PRIVACY ZONE 4 	ALARM IN 4

Fast & Silent Motion

- Extremely quiet and low vibration
- Shortest Path by Vector Drive Technology
- High Accuracy with Micro-Stepping Control Technology
- Adaptive Pan Tilt speed to Zoom ratio
- Lightning Speed (MAX. 380°/sec) & Smooth Manual Speed (MIN. 0.05°/sec)
- Endless 360° Pan Rotation

Superior Zoom Camera

- QSD-P 37: X444 Zoom Control (Optical X37, Digital X12)
- QSD-P30 : X300 Zoom Control (Optical X30, Digital X10)
- Day & Night (IR Cut Filter)

Powerful Functions

- Independent Camera Setup (AE, WB and etc.)
- 128 Preset Positions with Alphanumeric Labels
- 4 Pattern, 8 Scan and 8 Group Functions
- 4 Privacy Zones (Spherical Coordinates)
- 7 Rules for Schedule function based on Day and Time
- Auto Flip, Auto Parking, Power-up Action
- Freeze in Preset Function
- On-Screen Display of Real time and Temperature
- Built-in 8 Sensor Inputs and 4 Relay Output
- Vandal-Proof (Dome Cover : PC / Housing & Accessories : AL Die-cast)

Spec. Data

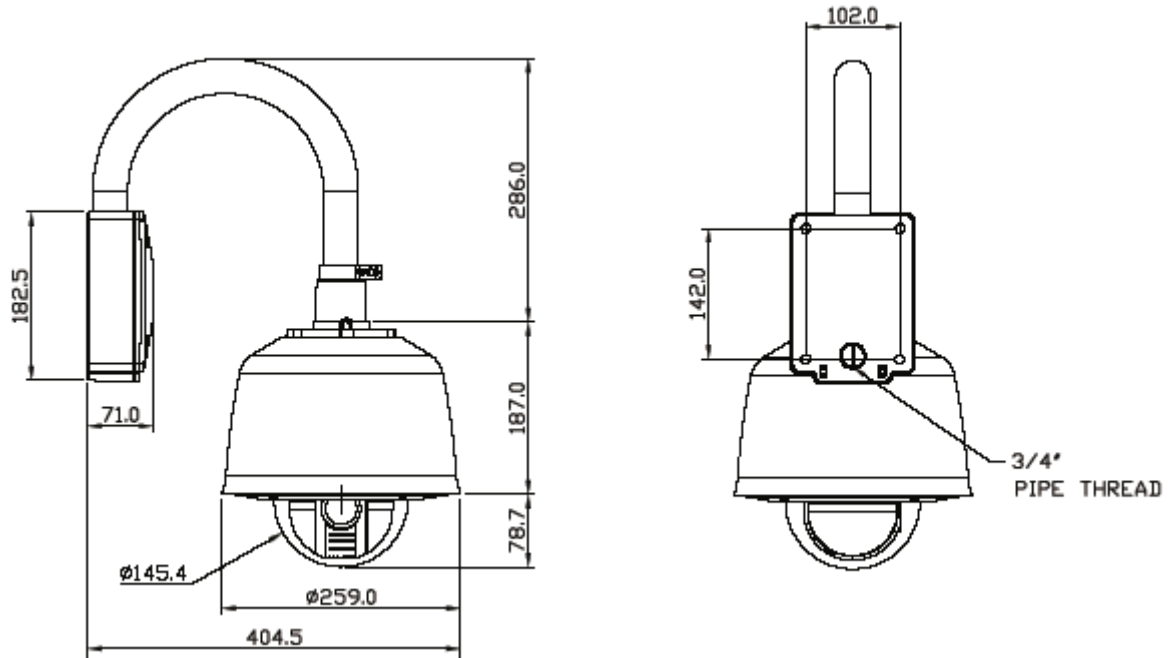
Model	QSD-N30	QSD-P30
Signal Format	NTSC	PAL
Image Device	1/4" Vertical double density interline CCD	
Total Pixel	410K Pixels [811(H) x 508(V)]	470K Pixels [795(H) x 596(V)]
Effective Pixel	380K Pixels [768(H) x 494(V)]	440K Pixels [752(H) x 582(V)]
H. Resolution	520 TV Lines (Min.): Color / 570 TV Lines (Min.) : B/W	
S/N Ratio	50dB (AGC Off, Weight ON)	
Zoom	X30 Optical Zoom and X10 Digital Zoom	
Focal Length	F1.6(W) 3.2(T) f=3.3~99.0mm	
Angle of View	H : Appr. 58.0° (Wide) to 2.22° (Tele) V : Appr. 44.8° (Wide) to 1.68° (Tele)	
MIN. Illuminance	0.4 Lux/F1.6 (50 IRE) ; Color / 0.08 Lux/F1.6 (50 IRE) ; B/W	
Day & Night	Auto / MANUAL (ICR)	
Focus	Auto / Manual	
Iris	Auto / Manual	
Shutter Speed	AUTO / MANUAL , Sens-up and Sens-up Limit is selectable X128 ~ 1/60sec ~ 1/120,000sec X128 ~ 1/50sec ~ 1/120,000sec	
Gain Control	Low, Middle, High, Off Selectable	
White Balance	ATW / AWC / Manual (1800° K ~10,500° K)	
WDR	52dB	
SSNR	Low, Middle, High, Off Selectable	
Video Out	CVBS: 1.0 V _{p-p} / 75 Ω	
Range	Pan : 360° (Endless) Tilt : 180° (Auto-Flip On) , 95° (Auto-Flip Off) Preset : 360° / sec	
Pan/Tilt Speed	Manual : 0.05° ~ 200° / sec (Inversely Proportional to Zoom) Scan : 1° ~ 180° / sec	
Pan/Tilt Preset	127 Presets with Labels / Independent Camera Setup	
Pattern	4 Patterns, 1000 Commands (About 5Minute)/Patten	
Scan	8 Scans	
Group	8 Groups (MAX. 20 Entries for Each Group)	
Schedule	7 Rules (Condition: Day, Time → Action: Preset, Scan, Group, Pattern)	
Other Functions	Image Auto Flip, Auto Parking, Power-up Action & etc.	
Communication	RS-485	
Protocol	Auto, Pelco-D, Pelco-P, Samsung Selectable	
Privacy Zone	8 Zones	
Sensor In/Out	Built-in 8 Input / 4 Relay Output	
OSD	Selective On / Off Temperature, Day and Date & Time Display	
Power	AC Type : 24V ± 10%	
Dimension	Dome: Φ146 Housing (Including Wall Mount Bracket): 405(L) x 463.6 (H) x 260 (W)	
Weight	Approx. 2.5 Kg	
Operating Temp.	-30° C ~ 50° C / -22° F ~ 122° F	
Outdoor Housing	IP 66/ Vandal Proof Structure (Housing & Accessories : AL Die-cast, Dome Cover: PC)	

Spec. Data

Model	QSD-N37	QSD-P37
Signal Format	NTSC	PAL
Image Device	1/4" Double Density Interline Transfer CCD	
Total Pixel	410K Pixels [811(H) x 508(V)]	470K Pixels [795(H) x 596(V)]
Effective Pixel	380K Pixels [768(H) x 494(V)]	440K Pixels [752(H) x 582(V)]
H. Resolution	550 TV Lines (Min.): Color / 680 TV Lines (Min.) : B/W	
S/N Ratio	50dB (AGC Off, Weight ON)	
Zoom	X37 Optical Zoom and X12 Digital Zoom	
Focal Length	F1.6(W) 3.9(T) f=3.5 ~ 129.5mm	
Angle of View	H : Appr. 55.5° (Wide) to 1.59° (Tele) V : Appr. 42.5° (Wide) to 1.19° (Tele)	
MIN. Illuminance	0.7 Lux/F1.6 (50 IRE) ; Color / 0.06 Lux/F1.6 (50 IRE) ; B/W	
Day & Night	Auto / Color / BW / EXT	
Focus	Auto / Manual / One-Push	
Iris	Auto / Manual	
Shutter Speed	AUTO / MANUAL / A.FLK	
Gain Control	Low / Middle / High / Manual / Off	
White Balance	ATW / AWC / Manual / Indoor /Outdoor	
Backlight	WDR / BLC / HLC / OFF	
SSNR	Low / Middle / High / Off	
Video Out	CVBS: 1.0 V _{p-p} / 75 Ω	
Range	Pan : 360° (Endless) Tilt : 180° (Auto-Flip On) , 95° (Auto-Flip Off) Preset : 360° / sec	
Pan/Tilt Speed	Manual : 0.05° ~ 200° / sec (Inversely Proportional to Zoom) Scan : 1° ~ 180° / sec	
Pan/Tilt Preset	127 Presets with Labels / Independent Camera Setup	
Pattern	4 Patterns, 1000 Commands (About 5Minute)/Patten	
Scan	8 Scans	
Group	8 Groups (MAX. 20 Entries for Each Group)	
Schedule	7 Rules (Condition: Day, Time → Action: Preset, Scan, Group, Pattern)	
Other Functions	Image Auto Flip, Auto Parking, Power-up Action & etc.	
Communication	RS-485	
Protocol	Auto, Pelco-D, Pelco-P, Samsung Selectable	
Privacy Zone	8 Zones	
Sensor In/Out	Built-in 8 Input / 4 Relay Output	
OSD	Selective On / Off Temperature, Day and Date & Time Display	
General Power	AC Type : 24V ± 10%	
Dimension	Dome: Φ146 Housing (Including Wall Mount Bracket): 405(L) x 463.6 (H) x 260 (W)	
Weight	Approx. 2.5 Kg	
Operating Temp.	-30° C ~ 50° C / -22° F ~ 122° F	
Outdoor Housing	IP 66/ Vandal Proof Structure (Housing & Accessories : AL Die-cast, Dome Cover: PC)	

Dimensions

Wall Mount Bracket



Ceiling Mount Bracket

