

Micro Projector Lift

Designed for today's smaller projectors

The MICRO PROJECTOR LIFT (MPL) is small and convenient, just like the projectors it is designed to accommodate. Weighing only 35 pounds, it can be installed in an existing 2' x 2' ceiling opening without disturbing framework.

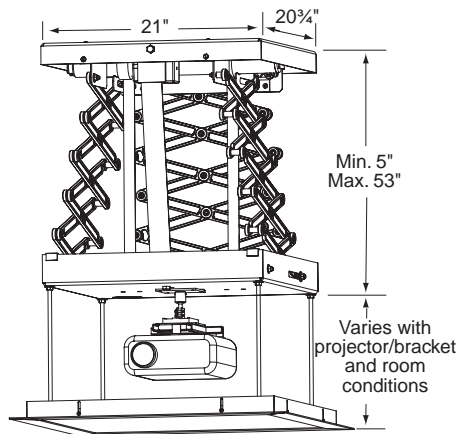
All components can be serviced from below the unit, so the ceiling need never be opened. The projector's "show" position can be set at any point with infinite adjustability, up to 48" extension.

The MICRO PROJECTOR LIFT utilizes the same exclusive 3-scissor design as DRAPER's popular SCISSOR LIFT (see page 29), but features a compact side-folding scissor. The scissors are made of injection-molded nylon with long glass fiber reinforcement. The load is lifted by two 1" wide Kevlar straps. Safety belt provides extra protection.

Closed height of lifting unit is only 5" tall (not including projector, mounting mechanism or closure), so a minimal amount of overhead ceiling space is required.

System Options

- **Ceiling closure**—Universal steel ceiling closure with white baked enamel can also accept ceiling tile.
- **Ceiling finish kit**—Ceiling closure panel and ceiling trim ring to finish ceiling opening.
- **Ceiling access door**—A hinged access door in the ceiling for when access to the projector from above the ceiling is not convenient.
- **Projector mounting bracket**—The AERO LOW PROFILE LIFT BRACKET is described on page 26. Projector may also be mounted flush to bottom pan.
- **Plenum housing**—Height varies according to choice of projector. Includes ceiling trim ring. Does not include ceiling closure panel.
- **Factory installed cables** for RGB, Video and Sync.
- **Controls**—Described on page 26.



U. S. Patent No. D395,909.
Other patents pending

Dimensions & Data—Micro Projector Lift

Height of lift in closed position ¹	5"
Overall lift dimensions (WxL)	21" x 20 3/4"
Ceiling opening	2' x 2'
Optional plenum housing (WxL) ²	23 1/2" x 23 1/2"
Max. projector size (WxL) ³	20" x 20"
Max. down travel	4'
Approx. travel time to lowest position	27 sec.
Capacity (lbs.)	35
Capacity with Aero Low Profile Lift Bracket (lbs.)	26
Net weight of lift (lbs.)	35
Amperes ⁴	1.2

¹ Not including projector, mount/bracket or closure. Optional AERO LOW PROFILE LIFT BRACKET adds 3 3/16" to unit height (not including projector-specific bracket).

² Max. Plenum Height: 20 5/8". Min. Plenum Height: 12 5/8"

³ Max. Available Projector/Bracket Height (with Plenum): 13 1/2"
Min. Available Projector/Bracket Height (with Plenum): 5 1/2"

⁴ Does not include any load placed on MPL's pre-wired power cable.

Specifications—Micro Projector Lift

_____ MPL video projector lifts, for projectors weighing up to 35 lbs. Dove grey baked powdercoat finish. Projector bolts to operating pan or mounts to pan with optional DRAPER AERO LOW PROFILE LIFT BRACKET. Electrically operated 110-120V AC, 60 HZ. 3-wire motor, instantly reversible, lifetime lubricated, with internal thermal overload protector and electric brake. Preset, accessible limit switches to adjust up and down stopping positions. Projector to be suspended from 2 3/4" x 20" x 20" x 1/8" thick aluminum pan, which is stabilized by 3 sets of scissors and operated by two, 1" wide Kevlar belts. Lift equipped with scissors on the left, right and rear. Scissor arms of nylon reinforced with long glass fibers. Scissor folding mechanism designed for tight stacking, with closed height not to exceed 5" (not including projector, projector mount/bracket or ceiling closure). Also equipped with fail-safe inertial safety belt system and CABLE MANAGEMENT SYSTEM for projector power cord. Ceiling closure, finished in white baked enamel or recessed to accept ceiling tile, shall descend smoothly with projector. Trim kit, when required, shall finish ceiling edges.

U. S. Patent No. D395,909. Other patents pending.

Options (select as needed): Plenum housing of aluminum and steel for use in return air plenum. Optional factory-installed control cables available.

See specification for optional AERO LOW PROFILE LIFT BRACKET.

Please Note: MICRO PROJECTOR LIFT should be specified in conjunction with a DRAPER, INC. video format motorized screen.