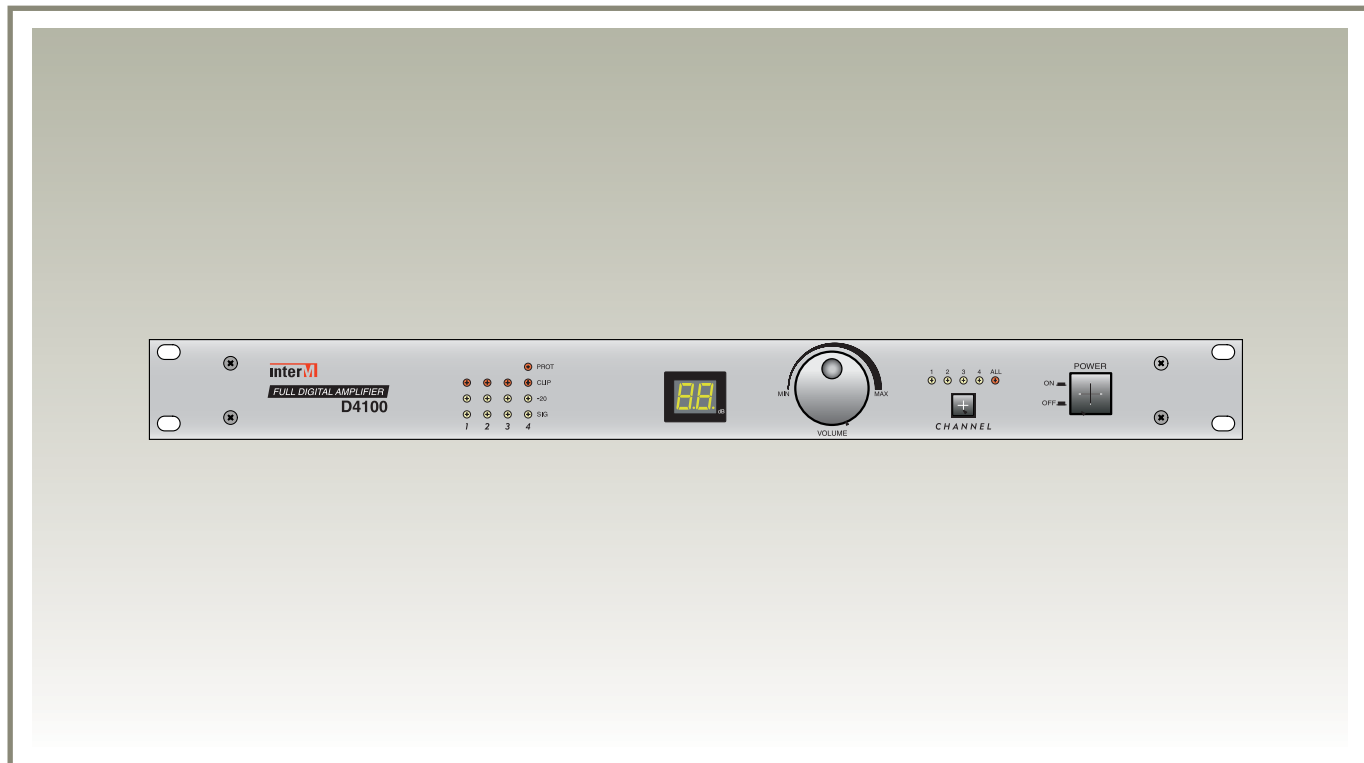


D-4100



DIGITAL AMPLIFIER

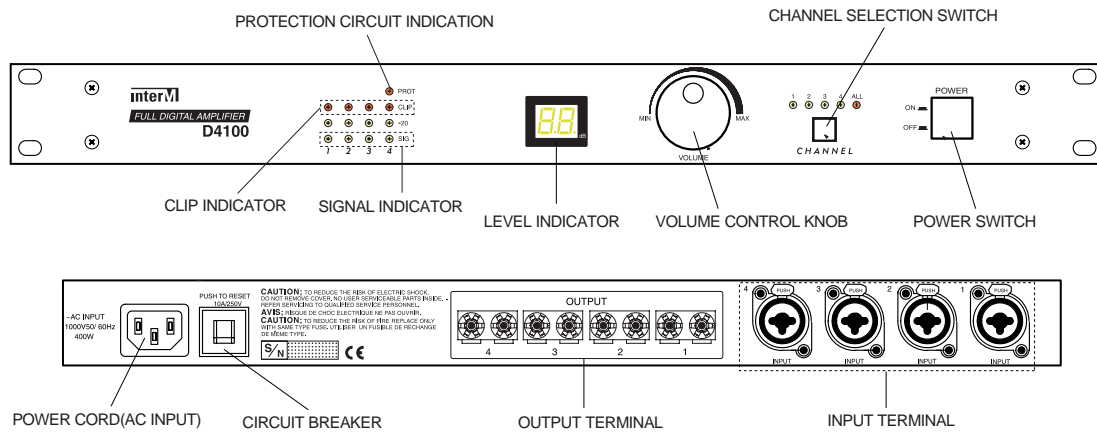


FEATURES

- Full digital high-efficiency circuitry and SMPS gives you stable 4CHx100W power with very light weight
- 90V-250V free AC mains voltage
- IRU aluminum chassis only 12" deep
- Clip, signal(SIG, -20dB), protection LED indicators to monitor performance
- Over current, over-temperature, and short protection
- Balanced combo jack inputs, and binding post outputs

SPECIFICATIONS

- ELECTRICAL
 - Rated Output Power4 : 100W
8 : 65W
 - Input Sensitivity3.8±2dBu
 - Frequency Response(20Hz~20kHz).....0dB +0.5/-1dB
 - Total Harmonic Distortion.....Less than 0.1%
 - Signal to Noise Ratio95dB
 - Channel SeparationLess than -60dB
 - Residual Noise.....Less than -60dB
 - DC Offset VoltageLess than 100mV
- GENERAL
 - Power Source.....100-120VAC or 220-240VAC; 50/60Hz
(Supplied AC mains transformer depends on country requirements)
 - Weight5kg/11lb
 - Dimensions482(W) x 44(H) x 300(D)mm
19(W) x 1.7(H) x 11.8(D)in



BLOCK DIAGRAM

