

DM-602A



PROFESSIONAL STEREO DISCO MIXER



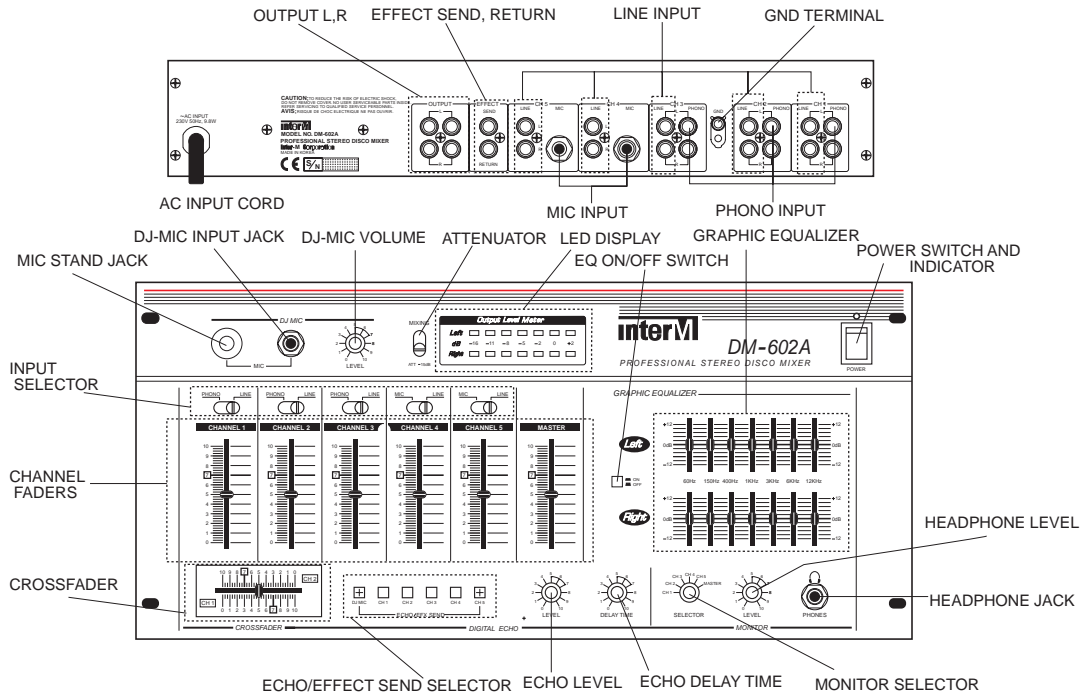
FEATURES

- **5 STEREO CHANNEL, DJ MIC INPUT AND STEREO OUTPUT**
Any sound source of microphones, turntable, electric organ and compact disk can be to this channel input. Stereo outputs of left and right are provided for convenient use.
- **INPUTS AND OUTPUTS MONITORING**
Use can monitor the input and output signals by headphone and monitor output with selector switch very conveniently.
- **CROSS FADER**
User can change the sound source by the cross fader. Hard left selects the output of channel 1, hard right selects the output of channel 2, at center both channels are live in equal position.
- **EFFECT SEND AND RETURN, DIGITAL ECHO**
For the convenient use of effect equipment, effect send and return terminals are provided. To make natural and wide effect of echo sound, this disco mixer employs digital echo IC. You can adjust the time interval and echo level, and the select switches are provided to make echo effect from each channel.
- **7 BAND GRAPHIC EQUALIZER**
This unit includes stereo 7 band graphic equalizer.

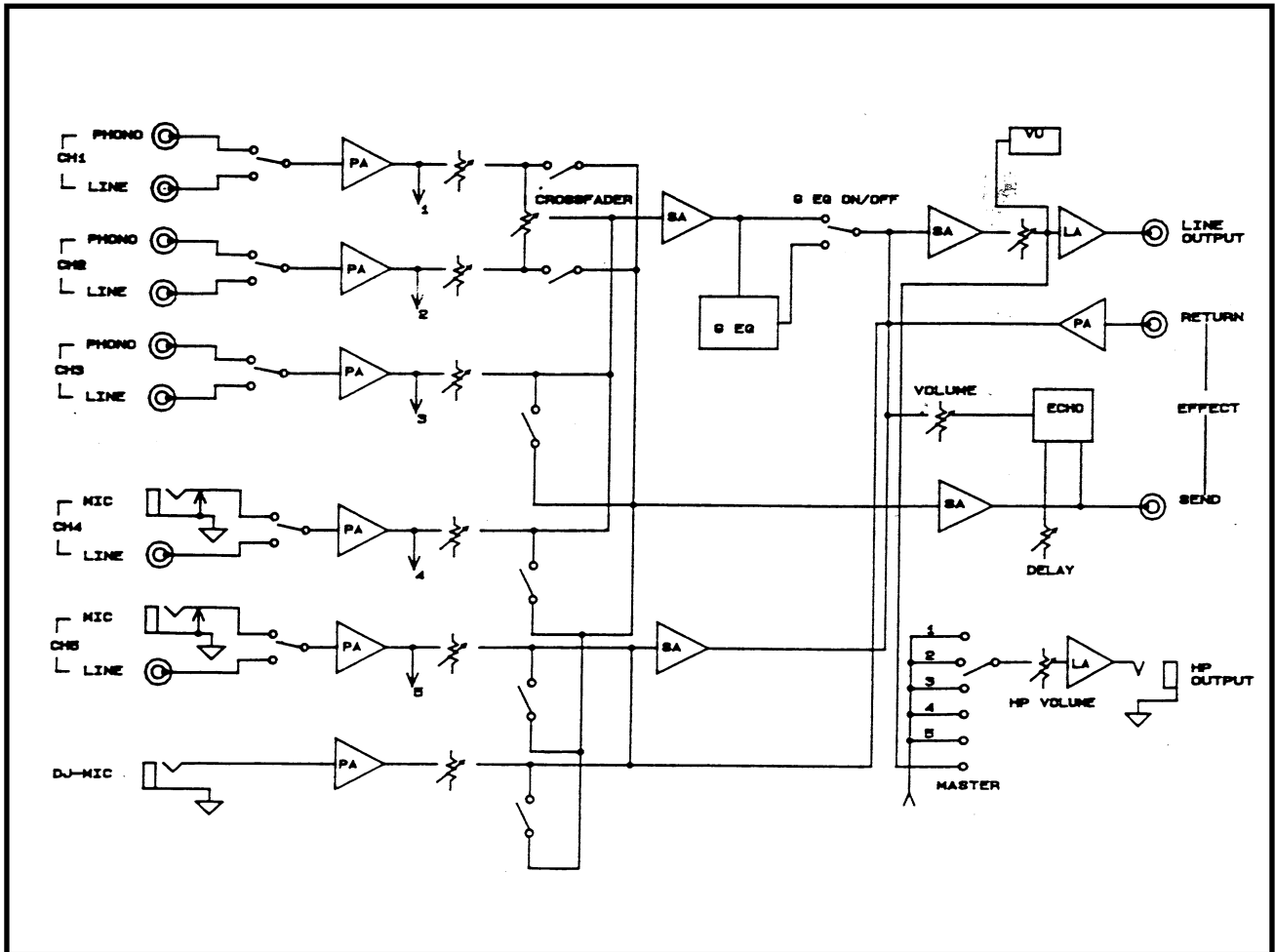
SPECIFICATIONS

- **ELECTRICAL** *0dB=0.775Vrms
 - Rated Output/Impedance
 - Stereo Out+4dB, UNBAL
 - EFX Send+4dB, UNBAL
 - Headphone Out80mW/33Ω
 - Input Sensitivity/Impedance
 - Mic, DJ Mic-55dB/600Ω, UNBAL
 - Line-18dB/47kΩ, UNBAL
 - Phono-50dB/47kΩ, UNBAL
 - EFX Return-10dB/10kΩ, UNBAL
 - T.H.D(20Hz-20kHz) 0.04%
 - Frequency Response
 - Mic, Line, EFX Send(+1/-3dB)20Hz-20kHz
 - Phono(10kHz/100Hz)-13.6/+13.1dB
 - Graphic Equalizer±12dB
60, 150, 400, 1k, 3k, 6k, 12kHz
 - ATT(CH)-15dB
 - Buss Noise-70dB
 - Crosstalk-60dB
- **GENERAL**
 - Power SourceAC 110V-240V, 50/60Hz
 - Power Consumption9.8W
 - Weight5kg
 - Dimensions482(W) × 98(H) × 222(D)mm

DM-602A



BLOCK DIAGRAM



interM

OFFICE : 653-5 BANGHAK-DONG, DOBONG-KU, SEOUL, KOREA TEL : 82-2-2289-8140~8, FAX : 82-2-2289-8149
 Home page : <http://www.inter-m.com> E-mail : export@inter-m.com

9047906300 C