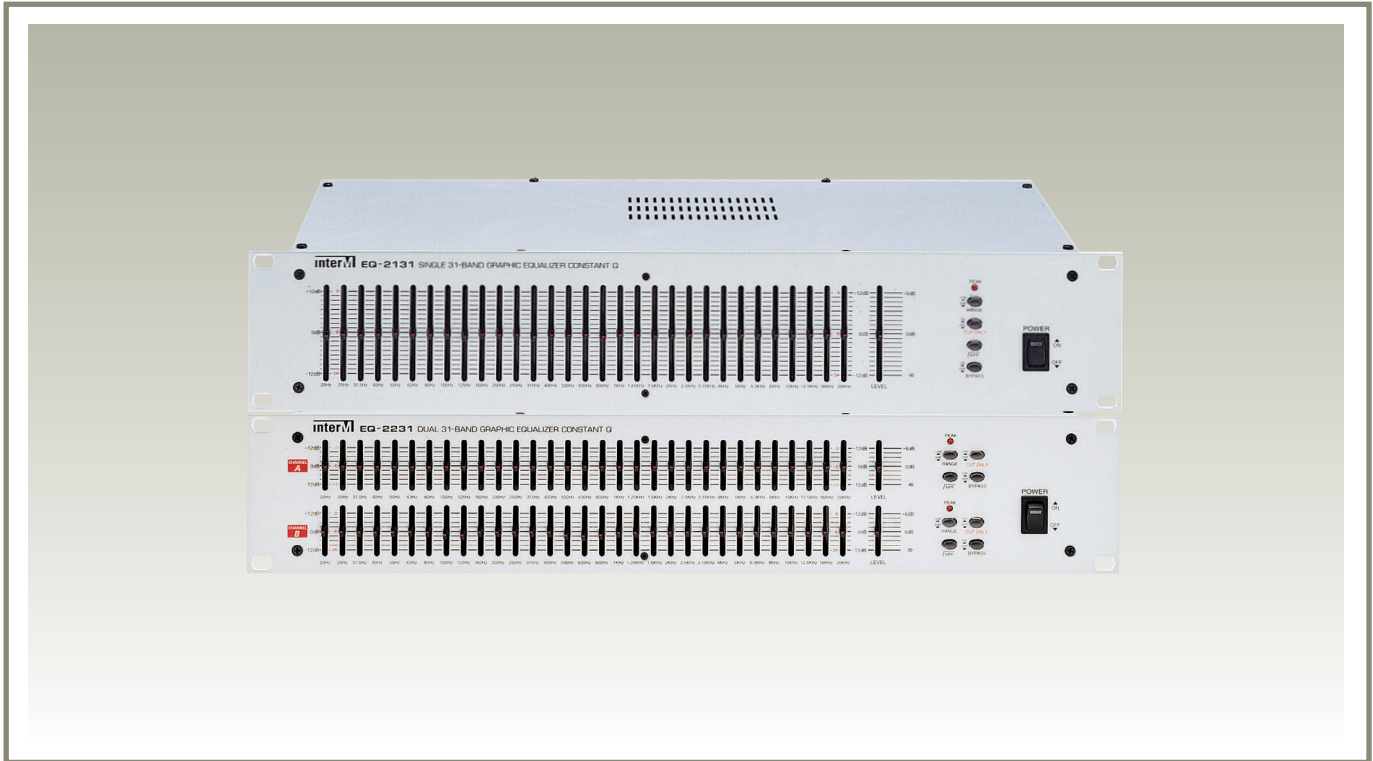


# EQ-2131/2231



## 31 BAND MONO/DUAL GRAPHIC EQUALIZER



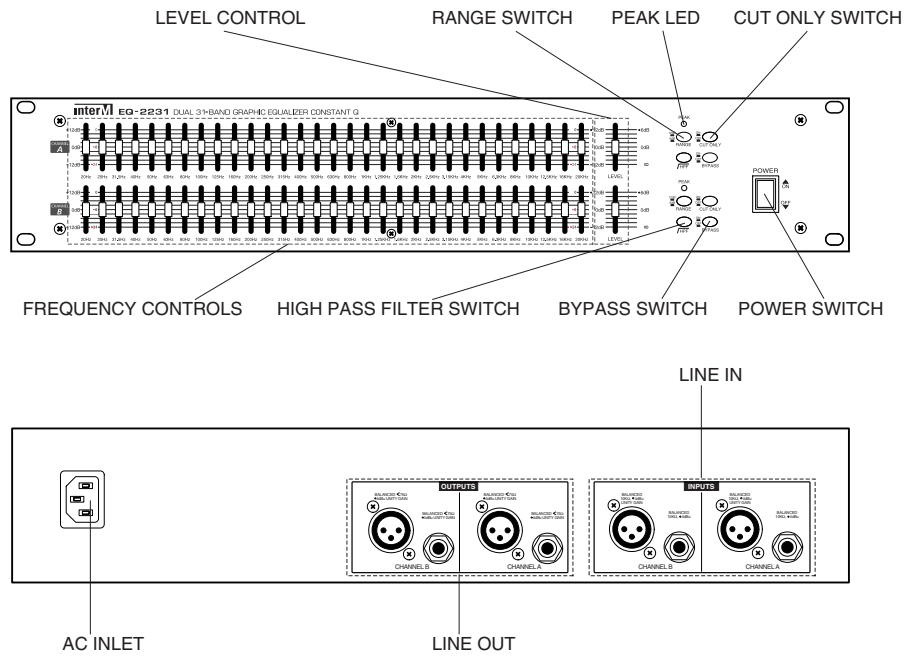
### FEATURES

- Constant Q (Constant Bandwidth) filter design.
- Long throw (45mm) slider controls.
- Balanced XLR and balanced 1/4" TRS input and output connectors.
- Selectable adjustment range of  $\pm 6\text{dB}$  or  $\pm 12\text{dB}$ .
- Signal Bypass switch allows for a quick assessment of the effect of the equalizer's settings.
- Peak warning indicator (active 6dB below peak).
- Selectable, Cut Only or Boost/Cut, operation.
- Selectable 80Hz High pass filter to reduce frequency response below 80Hz.
- Illuminated power switch.
- Rack ears for permanent installation in a standard 19" (rack mount width) enclosure.
- Detachable AC power cord.

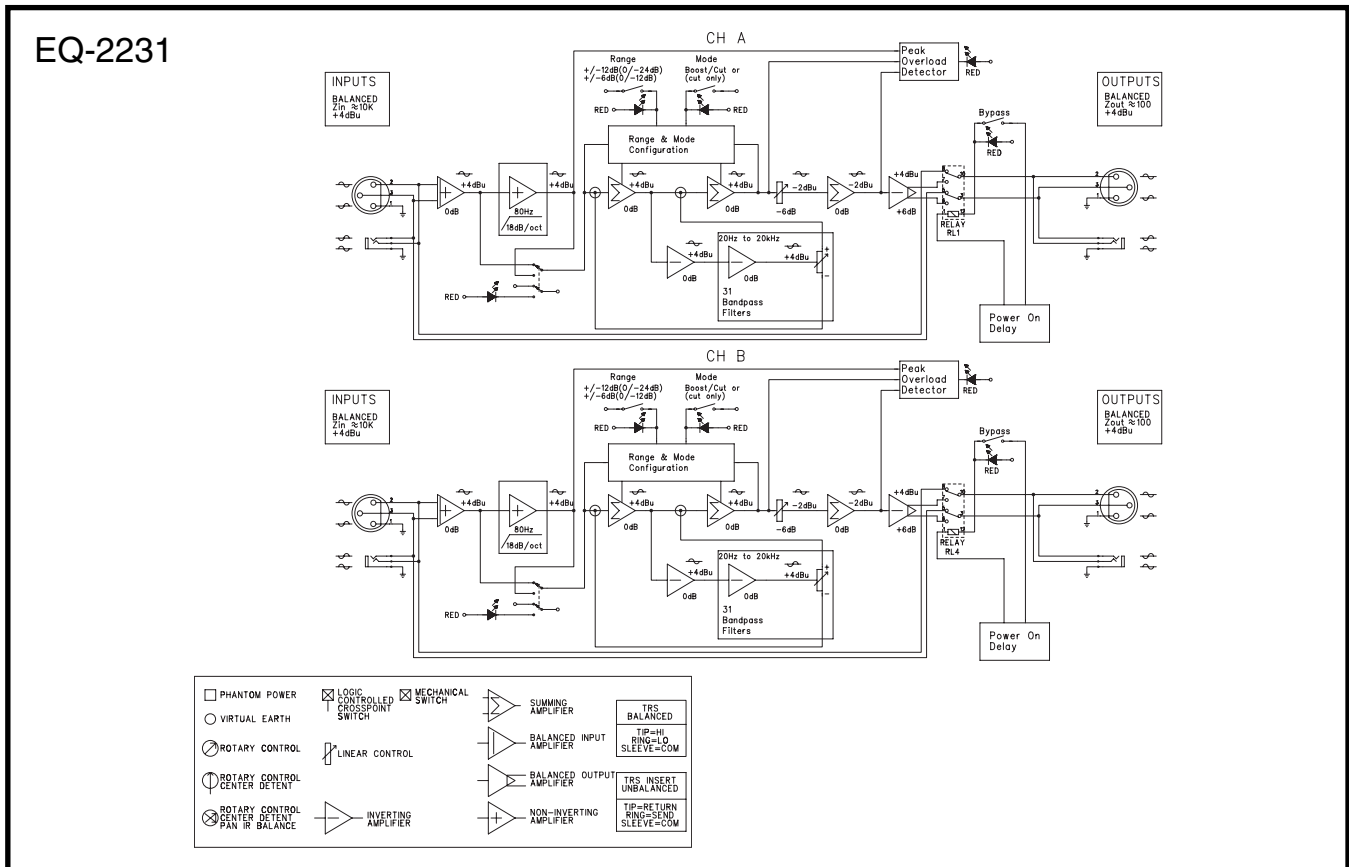
### SPECIFICATIONS

- ELECTRICAL \* 0dB=0.775Vrms
  - Output Level / Impedance .....0dB/600 $\Omega$ , BAL
  - Input Sensitivity / Impedance .....0dB/600 $\Omega$ , BAL
  - Total Harmonic Distortion .....Less than 0.01%
  - Frequency Response .....20Hz~20kHz ( $\pm 1\text{dB}$ )
  - Signal to Noise Ratio.....Better than 85dB
  - Equalizer Level .....+6dB
  - Equalizer Frequency .....1/3 Octave ISO (International-Standard-Organization) centers
  - High Pass Filter .....80Hz (18dB/oct)
  - Cut Only Mode .....-12dB or -24dB $\pm 3\text{dB}$
- GENERAL
  - Power Source .....AC 100V/120V/230V/240V, 50/60Hz
  - Power Consumption .....EQ-2131: 15W, EQ-2231: 20W
  - Weight .....EQ-2131: 4.5kg/9.9lb, EQ-2231: 5kg/11lb
  - Dimension .....482(W)x88(H)x280(D)mm  
19(W)x3.5(H)x11(D)in

# EQ-2131/2231



## BLOCK DIAGRAM



OFFICE : 653-5 BANGHAK-DONG, DOBONG-KU, SEOUL, KOREA TEL : 82-2-2289-8140~8, FAX : 82-2-2289-8149  
 Home page : <http://www.inter-m.com> E-mail : [export@inter-m.com](mailto:export@inter-m.com)