

## FASHION SPEAKER



### FEATURES

- Model FS-52 is designed for High Quality, Professional sound reproduction.
- Model FS-52 incorporates an electronic over load circuit to protect the tweeter.

### SPEAKER CONNECTIONS

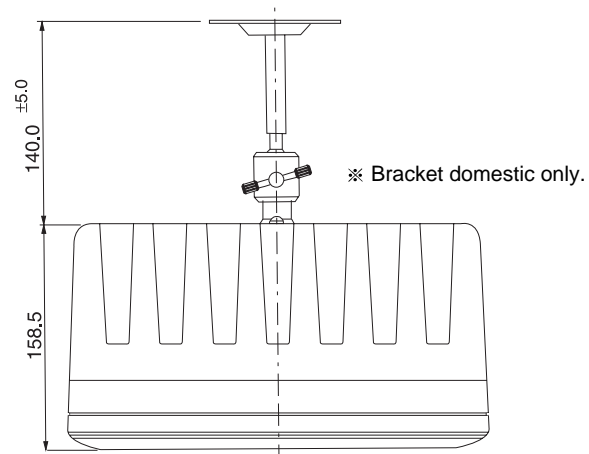
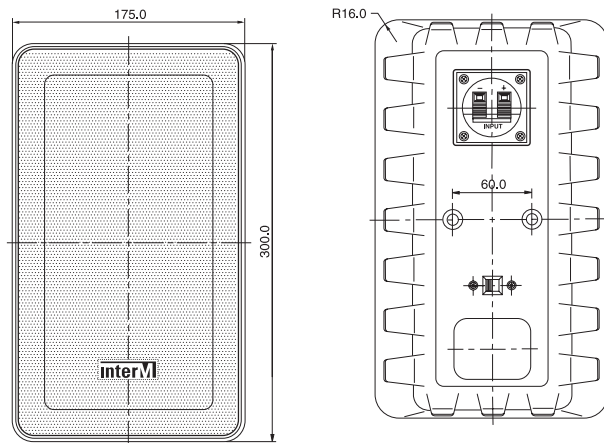
- FS-52 incorporates colour coded connection terminals, red=positive(+) and black=negative(-).
- Connection terminals are push a fit type to allow easy cable connection.
- Before connecting loudspeakers to the amplifier check the impedance of the network, as damage may occur to either the amplifier or loudspeakers if the impedance is too high or too low. (Export Only: 8Ω)

### SPECIFICATION

- ELECTRICAL
  - Rated Input .....50W
  - Maximum Input .....100W
  - Speaker Unit
  - Crossover .....3.6KHz
  - Input Impedance .....8Ω (Export Only)  
8Ω/200Ω (Domestic Only)

- GENERAL
  - Dimensions .....175(W) X 300(H) X 158.5(D)mm

\*Specifications and design are subject to change without notice for improvement.



DIRECTIONAL CURVE

