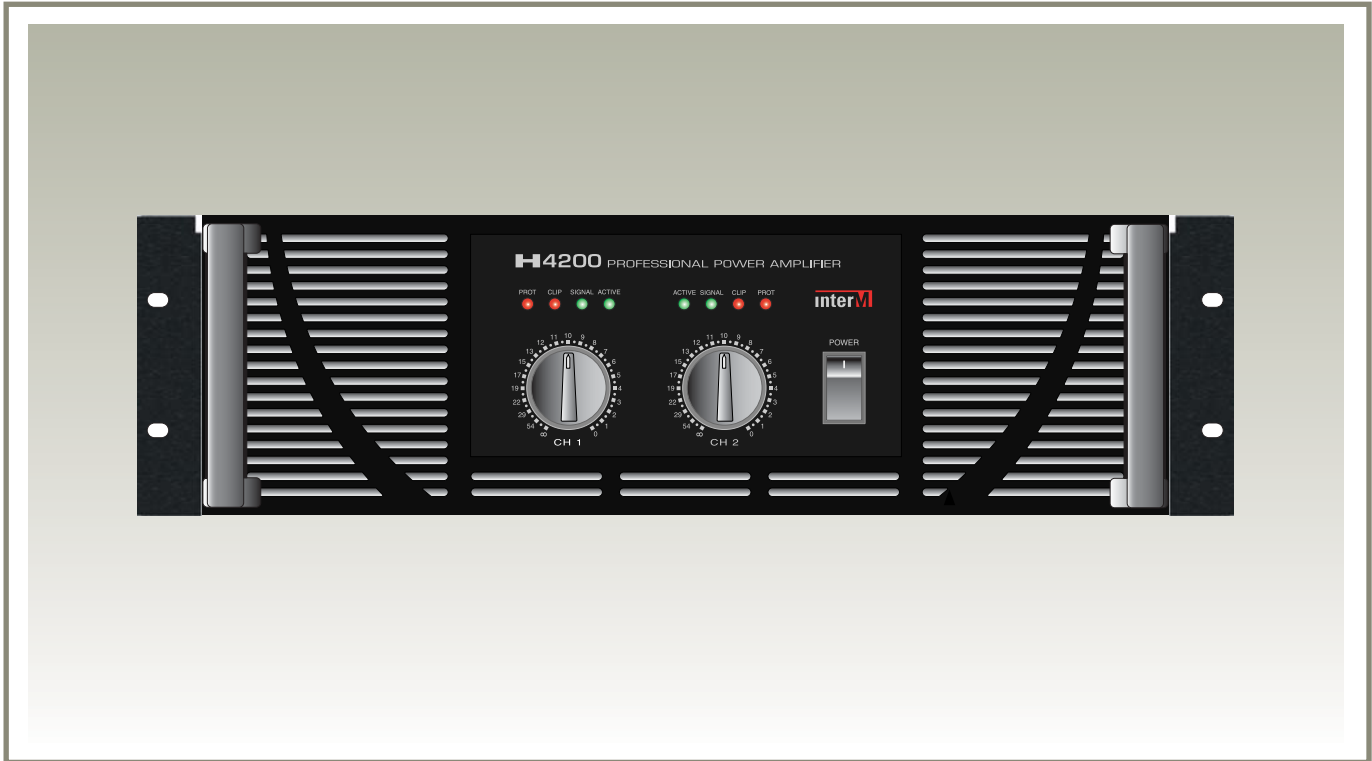


H-3200/4200



POWER AMPLIFIER



FEATURES

- Bridged Mono 4200W@4 (H-4200), 3200W@4ohm(H-3200)
- 2ohm Load Guarantee
- 400 Damping Factor
- Circuit: AB-Class with H-Class, 3-step High efficiency circuit
- Clip Limiter: Protection for overload caused by exceeded input, Heat protection from Thermal
- Gain S/W: 3-Stage SW(0dB, 6dB, 12dB)
During the live performance, the gain needs to be reduced
- Selectable HPF (High Pass Filter-30Hz, 50Hz)
Protect speakers from low-frequency

SPECIFICATIONS

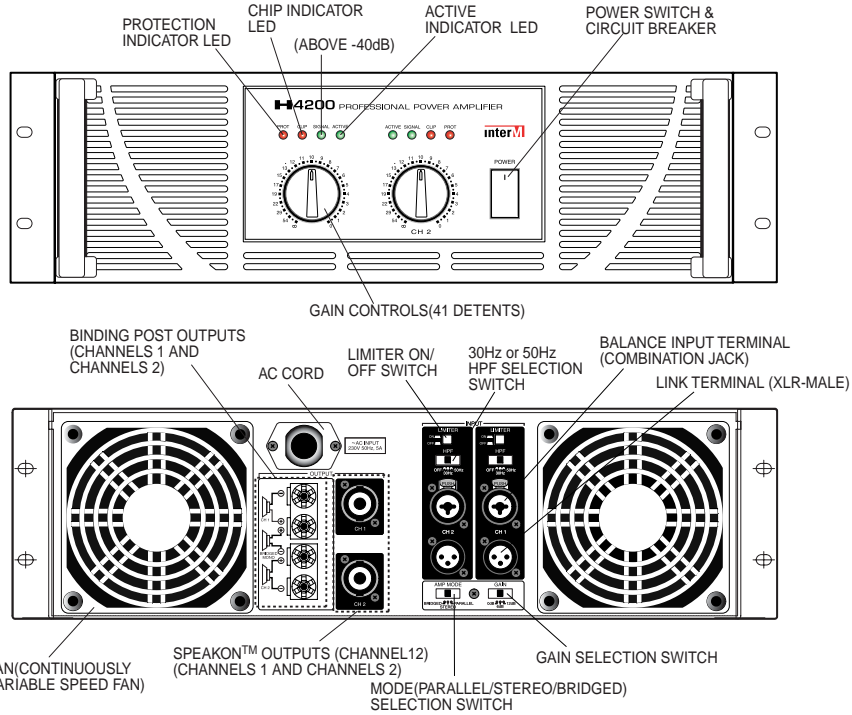
■ ELECTRICAL

	H-3200	H-4200
Rated Output Power (0.1% THD, 1kHz)		
2 per channel (1ch driven)	2200W	2700W
4 per channel (2ch driven)	1300W	1700W
8 per channel (2ch driven)	850W	1050W
4 , bridged mono(0.5% THD)	3200W	4200W
8 , bridged mono(0.1% THD)	2600W	3300W
Frequency Response	7Hz~47kHz	7Hz~47kHz
S/N	107dB	107dB
T.H.D., 1kHz	0.0067	0.0067
Damping Factor	450	450

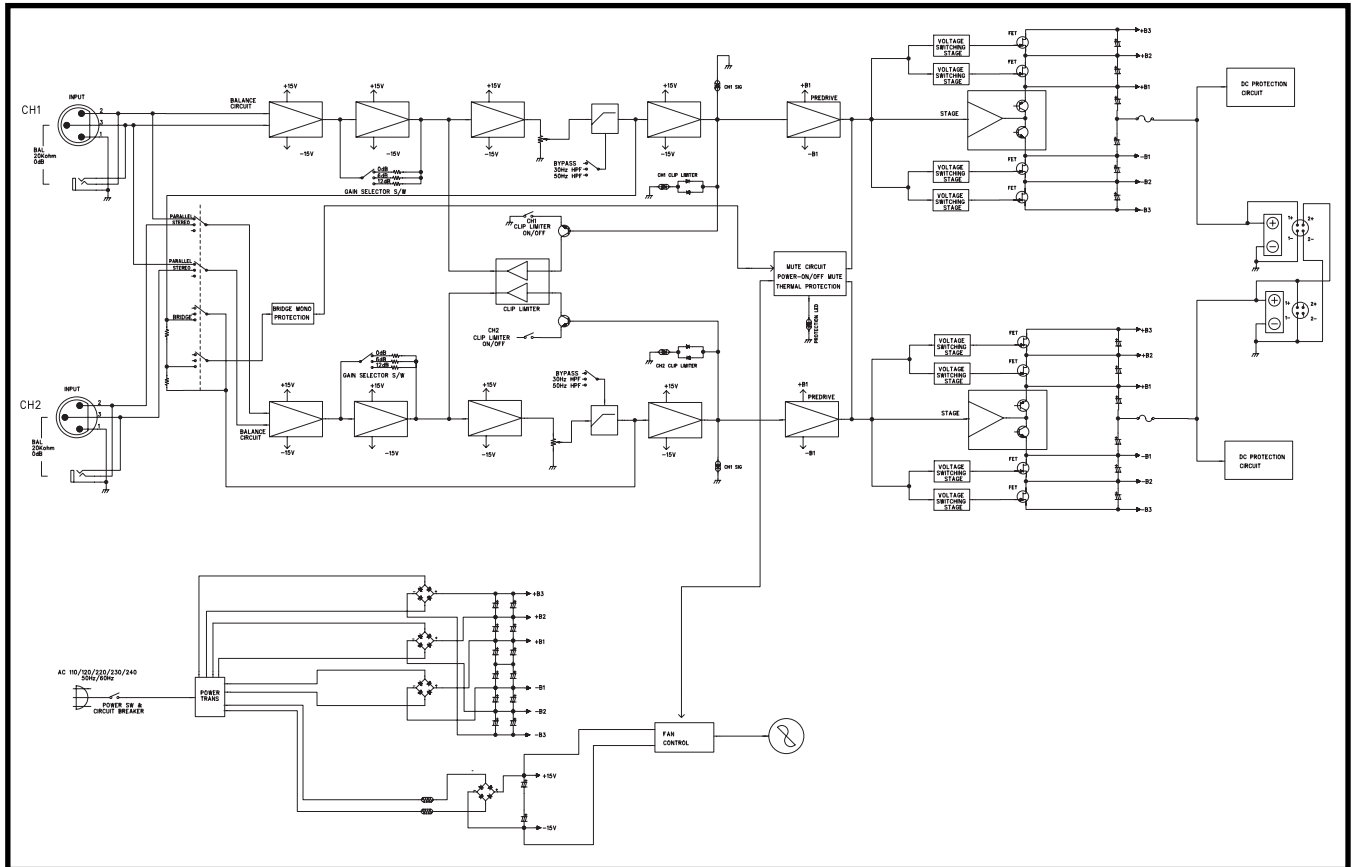
■ GENERAL

- Power Source.....100-120VAC or 220-240VAC; 50/60Hz
(Supplied AC mains transformer depends on country requirements)
- WeightH-3200: 29kg/64lb
H-4200: 32kg/70.5lb
- DimensionsH-3200: 482(W) x 132(H) x 460(D)mm
19(W) x 5.2(H) x 18.1(D)in
H-4200: 482(W) x 132(H) x 460(D)mm
19(W) x 5.2(H) x 18.1(D)in

H-3200/4200



BLOCK DIAGRAM



interM

OFFICE : 653-5 BANGHAK-DONG, DOBONG-KU, SEOUL, KOREA TEL : 82-2-2289-8140~8, FAX : 82-2-2289-8149

Home page : <http://www.inter-m.com>

E-mail : export@inter-m.com

9027102310