

R 150 PLUS/300 PLUS/500 PLUS



REFERENCE AMPLIFIER



FEATURES

- High-Performance rack mountable monitor amplifier.
- 4Ω stable per channel(stereo), 8Ω stable(bridge mono).
- 2U rack space.
- Front panel indicators for signal strength, clip, protect, and power.
- Detachable AC power cord.
- Output Connectors: Binding posts and Locking speaker connectors.

SPECIFICATIONS

■ ELECTRICAL

* 0dB=0.775Vrms

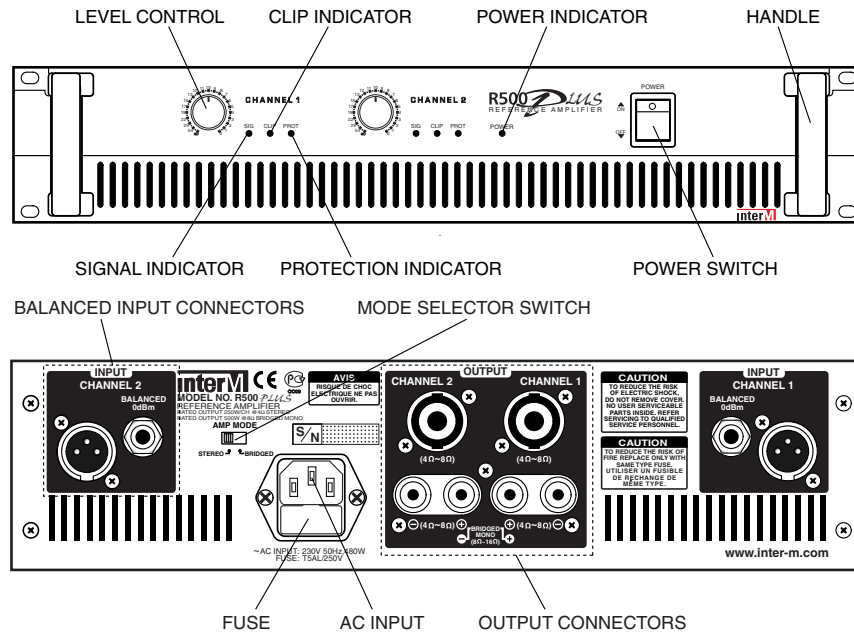
| Power Output Level | R150 PLUS | R300 PLUS | R500 PLUS |
|--------------------|-----------|-----------|-----------|
| 8Ω(Stereo) | 50W | 100W | 170W |
| 4Ω(Stereo) | 75W | 150W | 250W |
| 8Ω(Bridged Mono) | 150W | 300W | 500W |

- Frequency Response20Hz~20kHz(±0.5dB)
- T.H.D (20Hz~20kHz)≤0.05%
- Channel Separation (Half power 8Ω)≥70dB
- Residual Noise≤-80dB
- Signal to Noise Ratio≥100dB
- Input Sensitivity (Rated power into 4Ω at 1kHz).....0dBm
- IndicatorsPower(GREEN), Clip/Limiter(RED)
Signa(GREEN), Protection(RED)
- ProtectionPower ON/OFF muting, short circuit and thermal

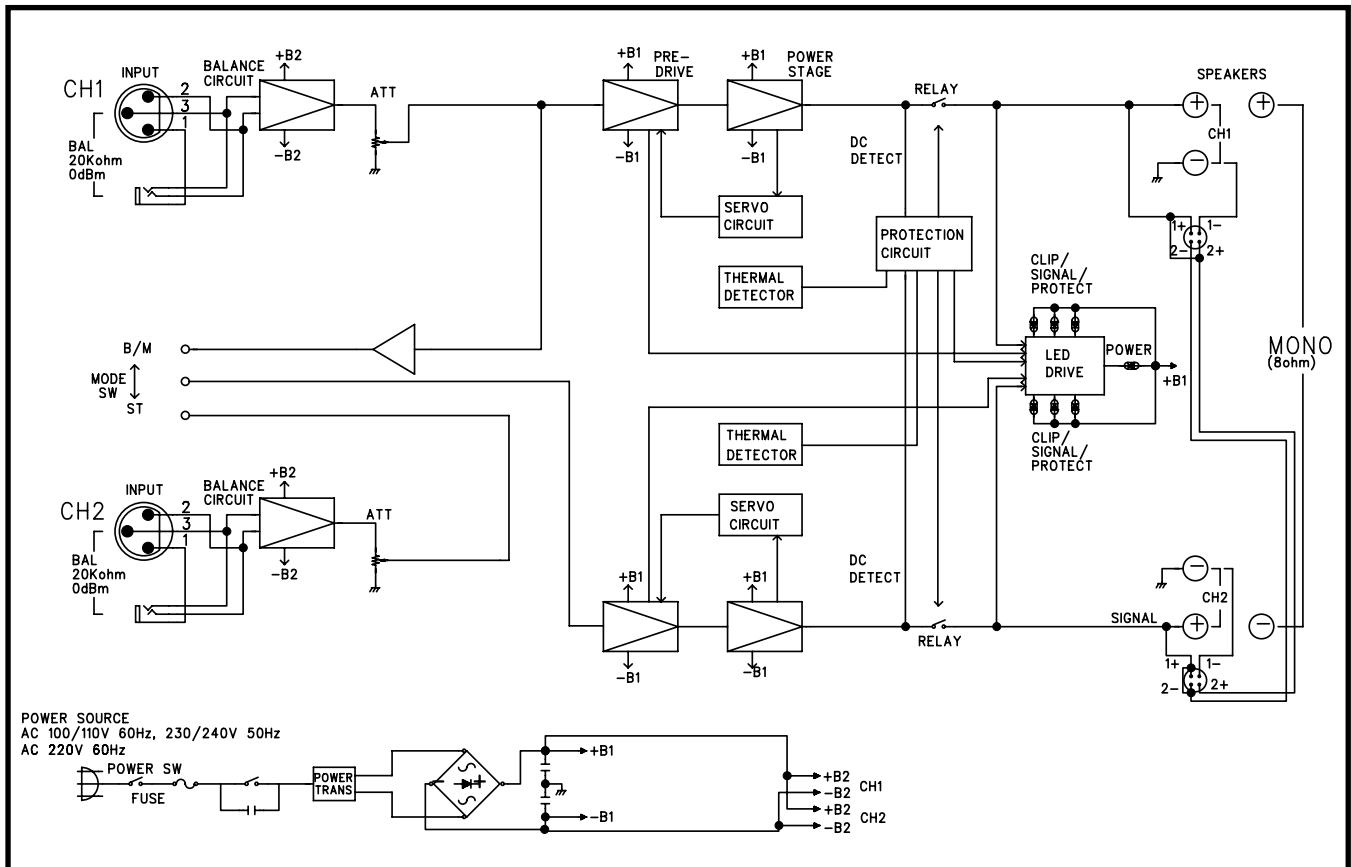
■ GENERAL

- Power SourceAC 100V/110V 60Hz, 230V/240V 50Hz
- Power ConsumptionR150 PLUS:1.5A
R300 PLUS:2.4A
R500 PLUS:3.9A
- WeightR150 PLUS:7.2kg/15.9lb
R300 PLUS:8.4kg/18.5lb
R500 PLUS:10.4kg/22.9lb
- Dimensions482(W)x88(H)x317(D)mm
19(W)x3.5(H)x12.5(D)in

R150 PLUS/300 PLUS/500 PLUS



BLOCK DIAGRAM



interM

OFFICE : 653-5 BANGHAK-DONG, DOBONG-KU, SEOUL, KOREA TEL : 82-2-2289-8140~8, FAX : 82-2-2289-8149

Home page : <http://www.inter-m.com>

E-mail : export@inter-m.com

9027300310